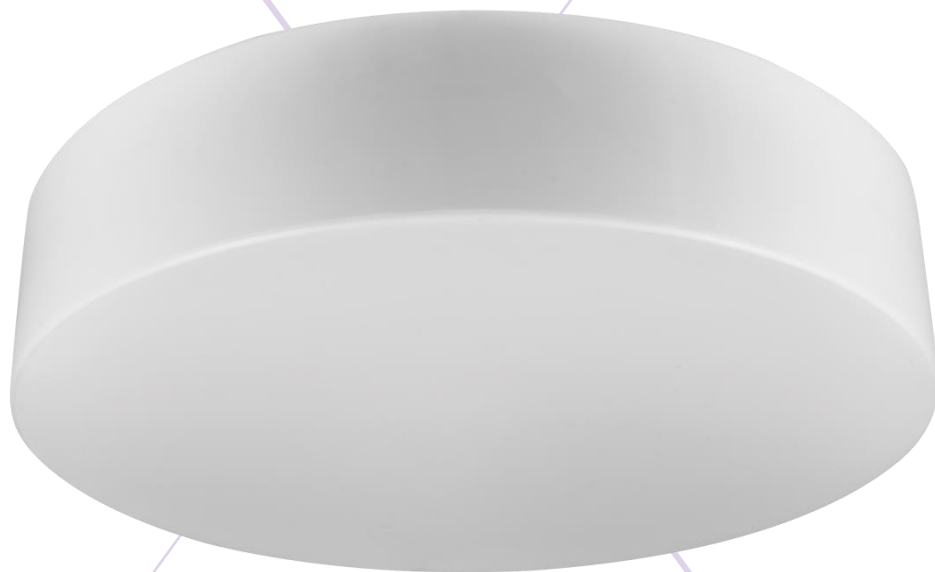


Suspended Pendant Luminaire



Moulded housing from opal polycarbonate

High efficacy LED light engine.

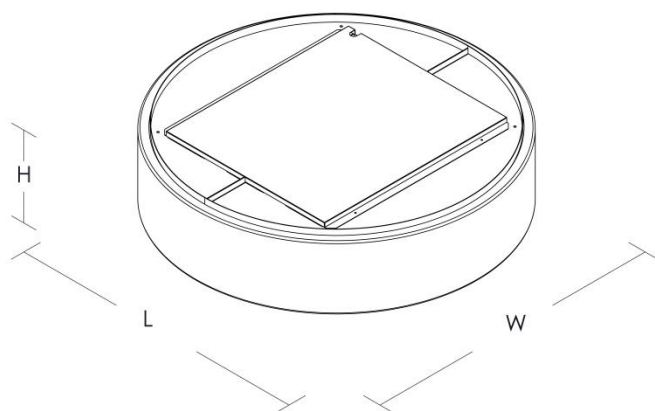
Integral driver

Direct/Indirect light distribution

Can be surface mounted with optional Fixing kit.

Options:

- DALI dimming **A1**
- Emergency **EM3**
- Colour Temp **3K/4K/5.7k**
- Microwave sensor **MW**



	Cloud - 900	Cloud - 900 HO
Dimensions LxWxH mm	900x900x80	900x900x80
Luminaire Lumens - Llm	8100	12600
Circuit Watts - Ctt/W	56	93
Llm / Ctt/W	145	135
Ra	>80	>80
Chromacity Tolerance (initial McAdam)	3	3
Lifetime L90 B10 - hours	>50,000	>50,000
Product Number	PA-4505-0	PA-4505-0