



Daisy

Daisy recessed 200mm linear LED downlight, a dark light design with UGR < 19.

Unique compact design with a remote driver providing a high efficiency of up to 175 LL/CW.

- RAL9005 as standard, other RAL colours available on request.
- Efficacy of upto 175 lm/W
- Various dimming options, including DALI, Switch Dim etc.
- Emergency options available
- Range of colour temperatures 3000K, 4000K & 6000K
- 5 Year Guarantee

Product Code Builder

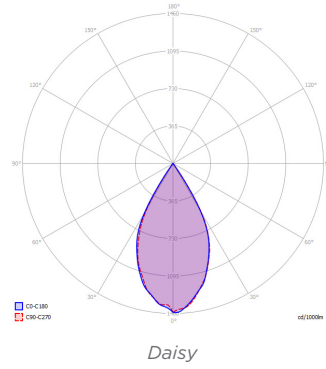
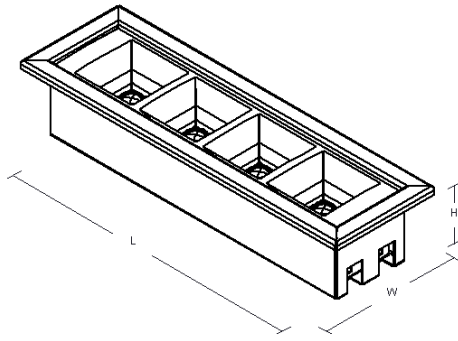
Type	Description	Code
Product	Daisy	DAISY
Delivered Output lms	1135	1135
Colour Temperature	Warm White	3K
	Neutral White	4K
	Cool White	6K
Dimming Options	Fixed Output	FO
	Dali	A1
	DSI	A2
	Switch Dim	A3
	1-10v	A4
	Casambi	A5

Example Code: DAISY 1135 3K FO





Daisy



Product	L x W x H (mm)	Ctt Watts	Luminaire / Lumens	LL / CW	Colour Temp	Ra	Colour Consistency	L70 / B10
Daisy	200 x 62 x 50	7.2	1135	158	4000K	>80	SDCM 2	>100K