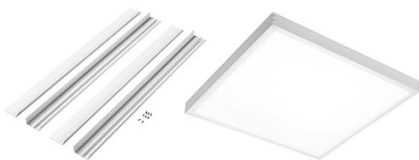


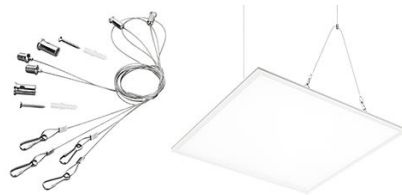


PAR-FP

- Edgelit panel for direct recessed mount and surface or suspended mount with accessories
- For suspended ceiling grid measure of 600 and 625 mm
- LED system solution with system efficacy up to 101 lm/W
- Efficacy of the module up to 120 lm/W
- UGR < 19
- Small luminous flux tolerances
- Colour temperatures 3,000, 4,000 and 6,500 K
- Diffusor material standard article: PS, diffusor material TPA article: PC
- Lightguide material: PMMA
- Long life-time: 50,000 hours
- 5-year guarantee



Surface Mount Kit



Suspension Mount Kit

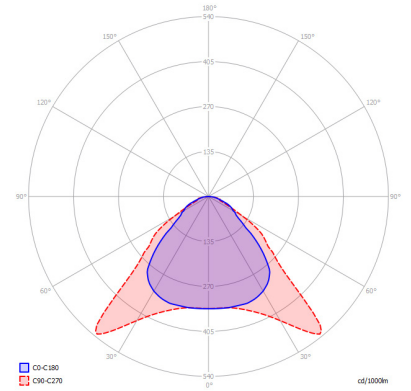
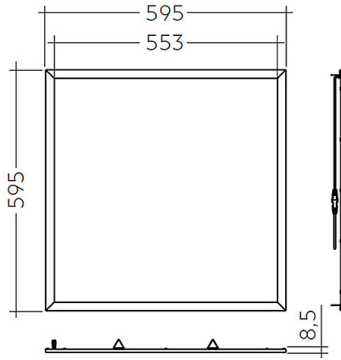
Product Code Builder

Type	Description	Code
Product	PAR-FP	PAR-FP
Delivered Output lms	2800	2800
	3800	3800
	Warm White	3K
Colour Temperature	Neutral White	4K
	Cool White	6.5K
	Optic	UGR19
Dimming Options	Fixed Output	FO
	Dali	A1
	DSI	A2
	Switch Dim	A3
Emergency	Standard 3 hour	EM3
	DALI/EMPRO	EMD
	Self Test	EMS

Example Code: PAR-FP 2800 3K MPO A1 EM3



PAR-FP



Product	L x W x H (mm)	Ctt Watts	Luminaire / Lumens	LL / CW	Colour Temp	Ra	Colour Consistency	L70 / B10
PAR-FP 2800	595 x 595 x 12.5	23.8	2800	118	3000K	>80	SDCM 4	>50K
PAR-FP 2800	595 x 595 x 12.5	23.8	2800	118	4000K	>80	SDCM 4	>50K
PAR-FP 3800	595 x 595 x 12.5	32.4	3800	117	3000K	>80	SDCM 4	>50K
PAR-FP 3800	595 x 595 x 12.5	32.4	3800	117	4000K	>80	SDCM 4	>50K