



# PAW-BH3

Low Profile wall luminaire designed for healthcare applications.

Extruded Aluminium luminaire with integral gear and LED light engines.

- Anodised Aluminium Finish as standard, optional RAL colours on request.
- Various dimming options, including DALI, Switch Dim etc.
- Emergency options available
- Range of colour temperatures 3000K, 4000K & 6000K
- 5 Year Guarantee

## Product Code Builder

Type	Description	Code
Product	PAW-BH3	BH3
Delivered Output lms	500lm Night	500
	6500lm General	6500
	1000lm Reading	1000
	4500lm Examination	4500
Colour Temperature	Warm White	3K
	Neutral White	4K
Optic	Opal	OP
	Clear	CL
Dimming Options	Fixed Output	FO
	Dali	A1
	DSI	A2
	Switch Dim	A3
	1-10v	A4
Emergency	Casambi	A5
	Standard 3 hour	EM3
	DALI/EMPRO	EMD
	Self Test	EMS

**Example Code:** PAW-BH3 OP FO EM3



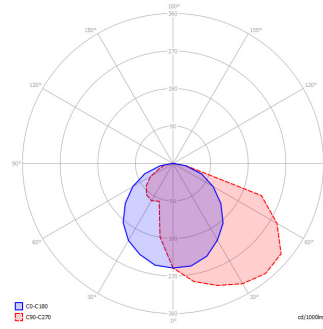
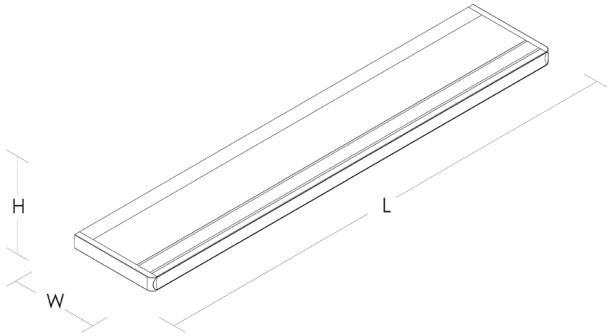
Ultra Slim 35mm Body



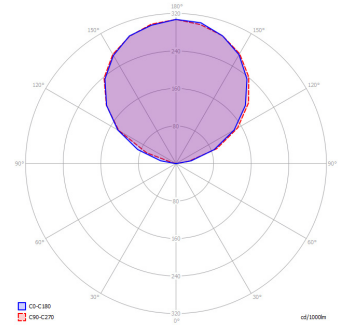
Unique Profile Shape



# PAW-BH3

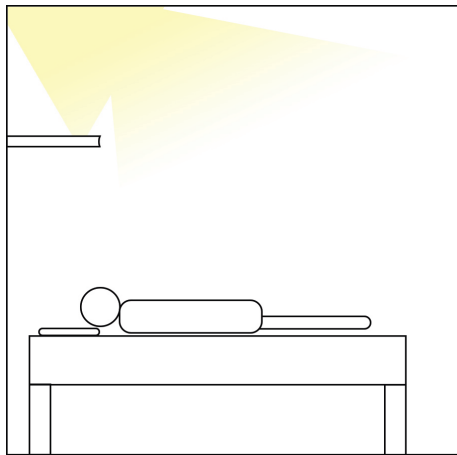


Examination/Reading Light

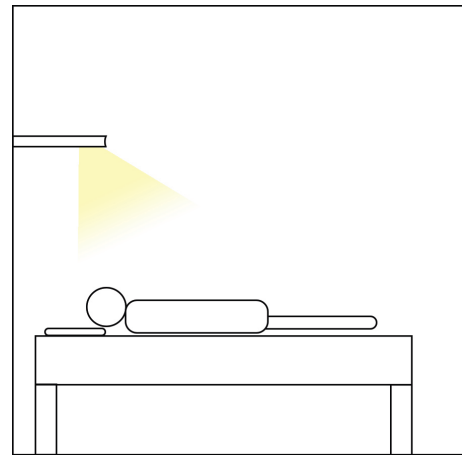


General/Night Light

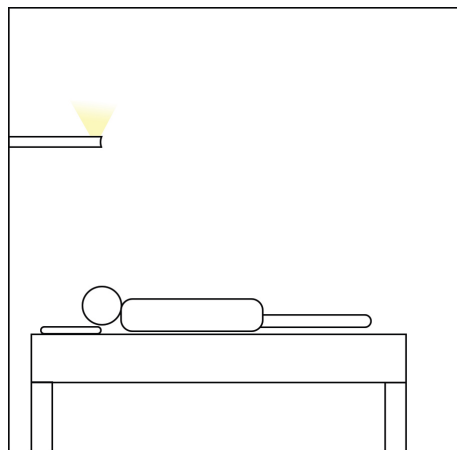
Product	L x W x H (mm)	Ctt Watts	Luminaire / Lumens	LL / CW	Colour Temp	Ra	Colour Consistency	L70 / B10
Night Light	1150 x 230 x 35	3.9W	504	130	3000K	>80	SDCM 2	>75K
General Light	1150 x 230 x 35	48W	6233	130	4000K	>80	SDCM 2	>75K
Reading Light	1150 x 230 x 35	8W	1122	140	3000K	>80	SDCM 2	>75K
Examination Light	1150 x 230 x 35	33W	4628	140	4000K	>80	SDCM2	>75K



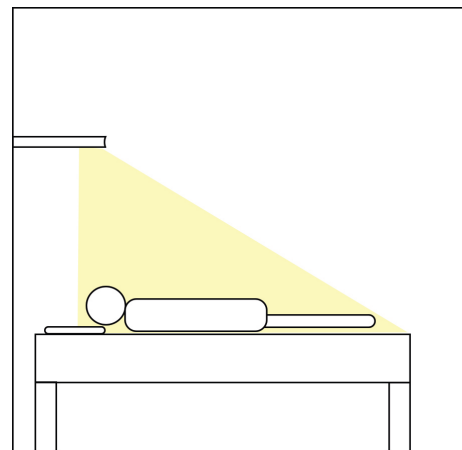
General Room Light



Reading Light



Night Light



Examination Light