

Sentinel is a standalone emergency lighting test system providing fully interoperable DALI monitoring, testing and reporting to BS EN 62034. The system's simplicity means that the user can be assured that the emergency lighting installation is being routinely tested and monitored in accordance with BS EN 50172. The design and size of the innovative full colour touch screen makes setting up test schedules or checking test results very simple.

Each **Sentinel** panel is capable of connection to 128 devices. For larger installations **SentiLink** software can be deployed to provide a fully scalable system.

Once commissioned the **SentiLink** system will carry out function tests and duration tests automatically on scheduled dates and times. While everything is healthy the **Sentinel** screen will remain blank unless touched in which case it will show the 'tick' screen indicating all is well.



Sentinel screen in 'fault' mode

In the event of a failure during a test, or if a battery/charger problem occurs, the screen will automatically come on with a warning triangle and, if selected during commissioning, the integral warning buzzer will also sound.

When the screen is active simple touch buttons are also enabled that allow easy access to any fault reports or a password protected engineer's menu.

Alternatively a **SentiLink** enabled system can be configured to automatically notify a maintenance engineer of both the nature and location of any faults. These detailed system reports allow for a strategy of planned maintenance to be implemented.



ADVANCED EMERGENCY LIGHTING TEST SYSTEM

Fully interoperable with all DALI approved emergency lighting equipment

P&A/Projects

2 Firefly Square, Plantation Road, Burscough, Lancashire, L40 8JT
T: 01704 891333 F: 01704 891444
E: sales@pandaprojects.co.uk

pandaprojects.co.uk



P&A/Projects





Recessed mounted Sentinel panel

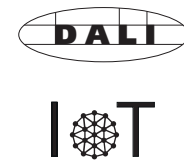
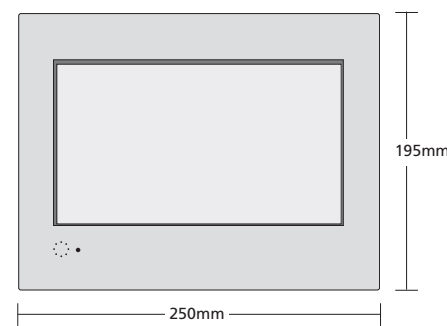


Sentinel — Advanced Emergency Lighting Test System

- ✓ IoT Smart EL test system
- ✓ Integral mains supply and DALI supplies
- ✓ Two DALI busses (128 devices)
- ✓ Simple operation
- ✓ Routine function and duration tests
- ✓ Detailed test results at panel
- ✓ Downloadable test data
- ✓ Operates with multiple durations (60mins, 90minutes, 180mins, etc.)
- ✓ Automatic fault indication
- ✓ Fault buzzer (software enabled)
- ✓ IP addressable panel
- ✓ Complies with EN 61347 2-11
- ✓ Complies with EN 62386 (DALI)
- ✓ BSI tested (kitemark pending)
- ✓ UK designed and manufactured
- ✓ All intellectual property owned and updated in UK
- ✓ Screen branding to order
- ✓ Encrypted networking (SentiLink)
- ✓ Automatic addressing of replacement gear
- ✓ Automatic fault indication to maintenance partner (optional)
- ✓ Surface or recessed mounting
- ✓ Commissioning made simple using the SentiFind hand held device



Surface mounted Sentinel panel



Sentinel

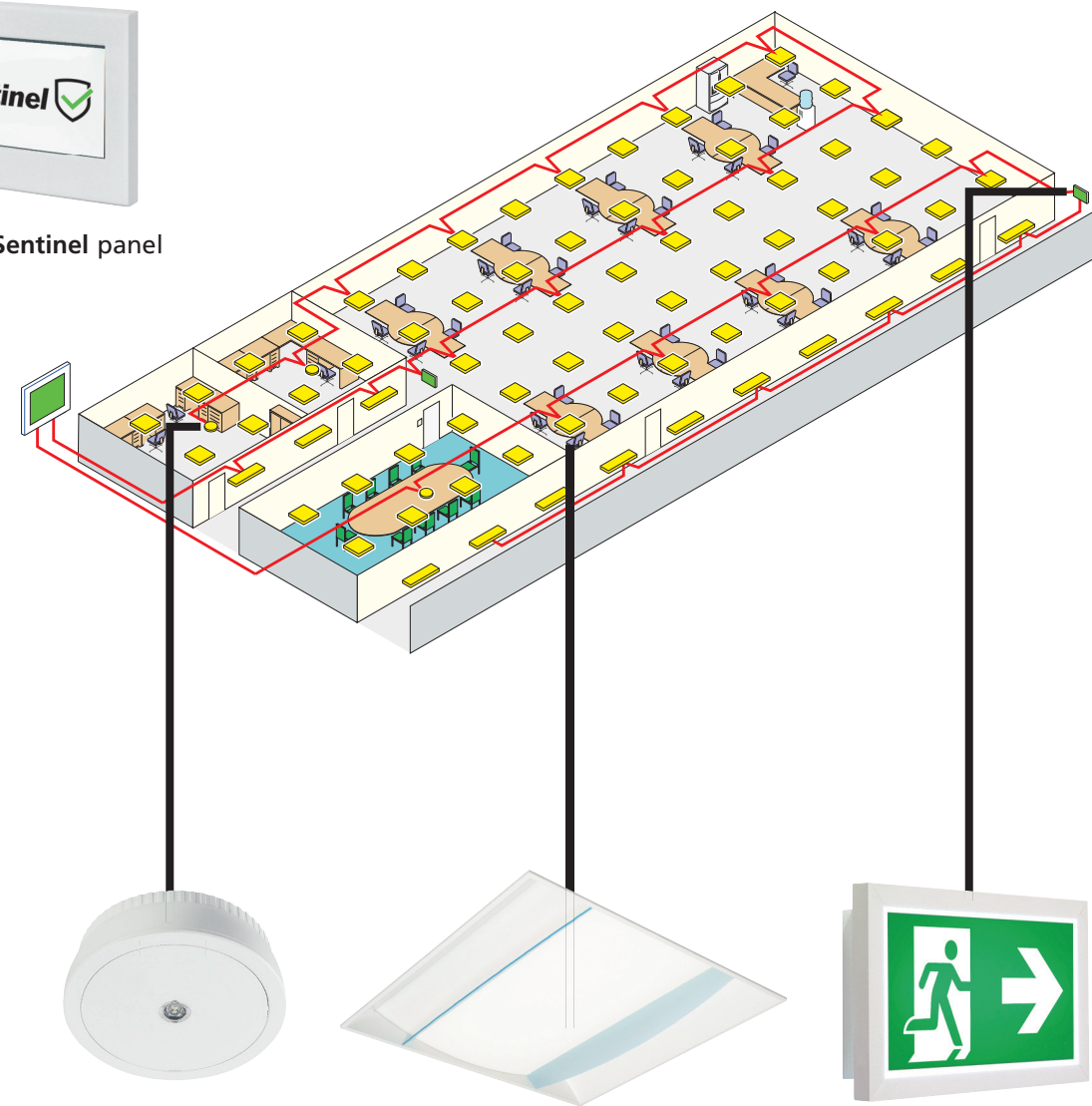
Operational features of the Sentinel system include:

- ✓ Password protected active functions
- ✓ Commissioning data can be entered via the touch screen, a USB dongle or SentiLink software
- ✓ Devices can be addressed individually, by 'BUS' or by 'Group'
- ✓ Sentinel will automatically find replacement devices during maintenance
- ✓ Automatic status notifications are logged in Sentinel's non-volatile memory and can be downloaded by USB or SentiLink software
- ✓ Sentinel is IoT-ready

TYPICAL SMALL INSTALLATION



Single Sentinel panel



SentiLink

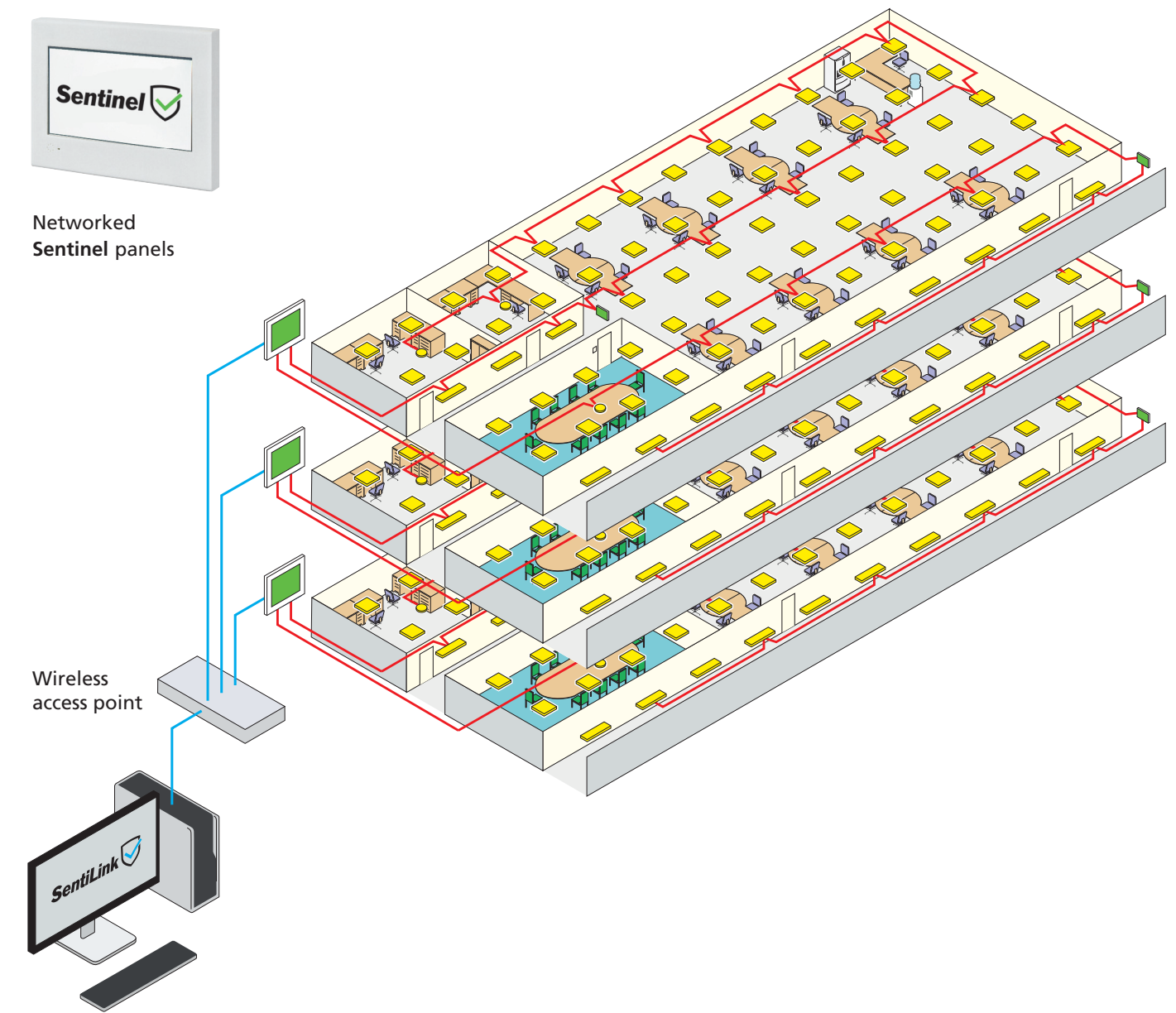
SentiLink is dedicated PC software which allows for multiple Sentinel panels to be seamlessly monitored and controlled across a network.

SentiLink has been developed to provide a single coherent solution to manage the emergency lighting installations of larger estates.

TYPICAL MULTI-ZONE INSTALLATION



Networked Sentinel panels



Wireless access point

Remote connection to network using SentiLink software

