



Ultralux OP

# Ultralux

Ultralux offers efficient glare free lighting in contemporary office environments.

Powder coated sheet steel chassis with central optical lens providing a UGR <19 and a gentle illumination of the curved reflector. Ultralux OP fitted with satin opal optic for general lighting.

- RAL9016MFT as standard, other RAL colours available on request.
- Efficacy of upto 132 lm/W
- LG7 Compliant, UGR<19
- Suitable for 15mm T ceiling as standard, other types available on request.
- Various dimming options, including DALI, Switch Dim etc.
- Emergency options available
- Range of colour temperatures 3000K, 4000K & 6000K
- 5 Year Guarantee

## Product Code Builder

Type	Description	Code
Product	Ultralux	
Delivered Output lms	3000	66
	6000	123
	Warm White	3K
Colour Temperature	Neutral White	4K
	Cool White	6K
	Optic	Opal
UGR19		MPO
Dimming Options		Fixed Output
	Dali	A1
	DSI	A2
	Switch Dim	A3
	1-10v	A4
Emergency	Casambi	A5
	Standard 3 hour	EM3
	DALI/EMPRO	EMD
	Self Test	EMS

**Example Code:** Ultralux 66 3K OP FO EM3



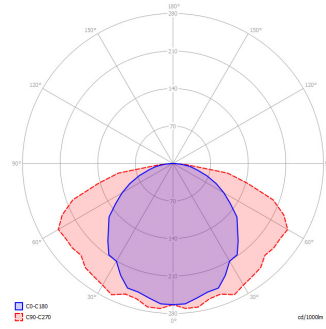
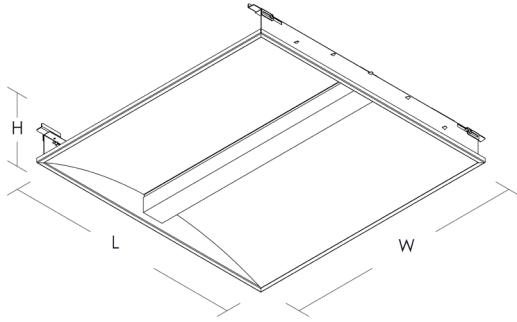
Ultralux OP  
Opal Diffuser



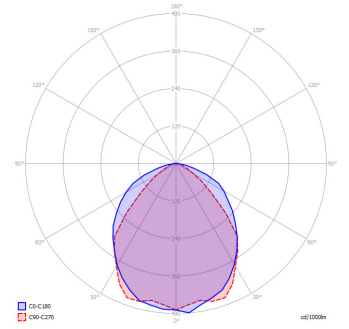
Ultralux 19  
UGR19 Diffuser



# Ultralux



Opal Diffuser



UGR<19 Diffuser

Product	L x W x H (mm)	Ctt Watts	Luminaire / Lumens	LL / CW	Colour Temp	Ra	Colour Consistency	L70 / B10
<b>Ultralux OP-66</b>	595 x 595 x 65	28.3	2830	100	4000K	>80	SDCM 2	>75K
<b>Ultralux OP-123</b>	595 x 595 x 65	56.6	5660	100	4000K	>80	SDCM 2	>75K
<b>Ultralux 19-66</b>	595 x 595 x 65	22.8	3007	132	4000K	>80	SDCM 2	>75K
<b>Ultralux 19-123</b>	595 x 595 x 65	45.6	6014	132	4000K	>80	SDCM 2	>75K