



PAE-AXI

The AXI LED bulkhead utilises an IP65 rated polycarbonate base and fresnel lens housing 16 high output white LEDs and constant current maintained drive circuit.

The luminaire provides 90 lumens and the lens generates a wide intensity distribution ideal for providing good illuminance on the escape route.

- White polycarbonate base with a fresnel lens.
- A deep (150mm) opal diffuser is also available to provide double sided signage if required.
- 5 Year Guarantee

Product Code Builder

Type	Description	Code
Product	PAE-AXI	AXI
Mounting	Surface	S
	Recessed	R
Colour Temperature	Neutral White	4K
	Cool White	5K
Optic	Fresnel Lens	FL
	Sign Diffuser	DDS
Emergency	Standard 3 hour	EM3
	DALI/EMPRO	EMD
Sign Legends	Self Test	EMS
	Arrow Right	AR
	Arrow Left	AL
	Arrow Down	AD
	Arrow Up	AU

Example Code: PAE-AXI R 4K FL EM3 AR



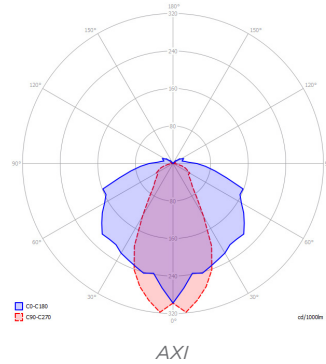
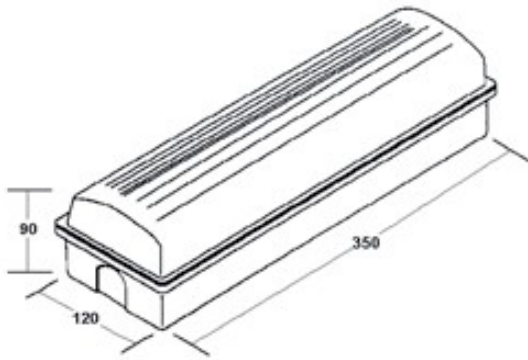
Recessed Mounted Housing



Exit Sign Diffuser with legend



PAE-AXI



Product	L x W x H (mm)	Ctt Watts	Luminaire / Lumens	LL / CW	Colour Temp	Ra	Colour Consistency	L70 / B10
PAE-AXI	350 x 120 x 90	3.2	150	-	4000K	-	-	-

Mounting height Hm (m)	Trans. to wall		Trans. to trans		Axial to trans.		Axial to axial		Axial to wall	
	Spacing (m) min 0.5Lux open area	Spacing (m) min 1Lux escape	Spacing (m) min 0.5Lux open area	Spacing (m) min 1Lux escape	Spacing (m) min 0.5Lux open area	Spacing (m) min 1Lux escape	Spacing (m) min 0.5Lux open area	Spacing (m) min 1Lux escape	Spacing (m) min 0.5Lux open area	Spacing (m) min 1Lux escape
2.5	2.6	1.6	8.7	5.9	7.2	4.3	4.7	3.0	1.2	1.0
4	1.9	1.1	8.5	4.7	7.0	3.6	4.5	2.6	0.6	0.4