

PAR-SAS330

Flat panel luminaire designed for use with an SAS ceiling.

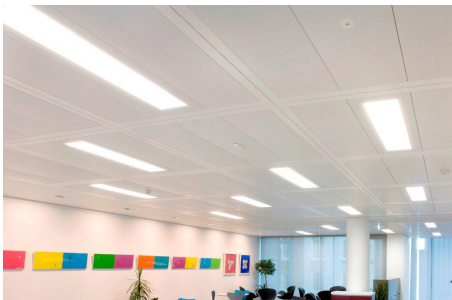
Powder coated sheet steel chassis with backlit opal PC panel or optional prismatic for glare controlled office.

- RAL9016M as standard, other RAL colours available on request.
- Efficacy of upto 124 lm/W
- LG7 Compliant, UGR<19 when fitted with prismatic diffuser
- Suitable for SAS-330 ceiling as standard.
- Various dimming options, including DALI, Switch Dim etc.
- Emergency options available
- Range of colour temperatures 3000K, 4000K & 6000K
- 5 Year Guarantee

Product Code Builder

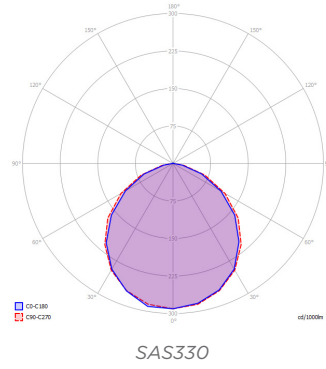
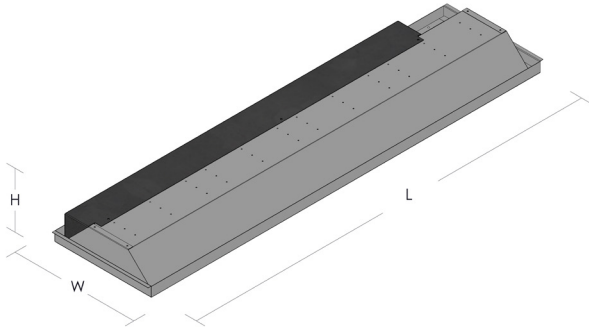
Type	Description	Code
Product	SAS330	
Delivered Output lms	4725	5000
	6614	6500
Colour Temperature	Warm White	3K
	Neutral White	4K
	Cool White	6K
Optic	Opal	OP
	UGR19	MPO
Dimming Options	Fixed Output	FO
	Dali	A1
	DSI	A2
	Switch Dim	A3
	1-10v	A4
Emergency	Casambi	A5
	Standard 3 hour	EM3
	DALI/EMPRO	EMD
	Self Test	EMS

Example Code: SAS330 5000 3K OP FO EM3





PAR-SAS330



Product	L x W x H (mm)	Ctt Watts	Luminaire / Lumens	LL / CW	Colour Temp	Ra	Colour Consistency	L70 / B10
SAS330 5000	1195 x 295 x 75	38	4725	124	4000K	>80	SDCM 2	>75K
SAS330 6500	1195 x 295 x 75	54	6614	122	4000K	>80	SDCM 2	>75K