



# PAS-IP65

Robust IP65 rated linear batten luminaire ideal for healthcare and industrial applications.

Slim, modern design with all polycarbonate construction and stainless steel diffuser fixing clips. Fitted with high efficiency LED's and an integral power supply.

- Efficacy of upto 132 lm/W
- Surface and suspension mounting options available.
- Various dimming options, including DALI, Switch Dim etc.
- Emergency options available
- Range of colour temperatures 3000K, 4000K & 6000K
- 5 Year Guarantee

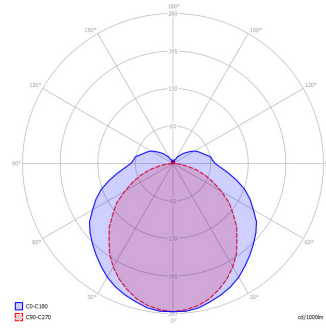
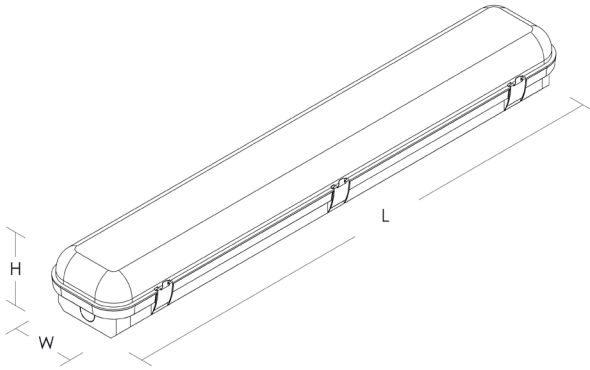
## Product Code Builder

Type	Description	Code
Product	PAS-IP65	IP65
Length	1200mm	1500
	1500mm	2000
Colour Temperature	Warm White	3K
	Neutral White	4K
	Cool White	6K
Optic	Opal	OP
	Fixed Output	FO
Dimming Options	Dali	A1
	DSI	A2
	Switch Dim	A3
	1-10v	A4
	Casambi	A5
Emergency	Standard 3 hour	EM3
	DALI/EMPRO	EMD
	Self Test	EMS

**Example Code:** IP65 1200 3K FO EM3



# PAS-IP65



PAS-IP65 1200

Product	L x W x H (mm)	Ctt Watts	Luminaire / Lumens	LL / CW	Colour Temp	Ra	Colour Consistency	L70 / B10
PAS-IP65 1200	1200 x 75 x 75	27.8	3587	129	4000K	>80	SDCM 2	>75K
PAS-IP65 1500	1500 x 75 x 75	33.9	4484	132	4000K	>80	SDCM 2	>75K