

# Linear System

Installation details for - 50/70/90, Suspended, Surface  
Recessed & Recessed Trimless versions

THESE INSTRUCTIONS MUST BE READ CAREFULLY PRIOR TO INSTALLATION & KEPT FOR FUTURE REFERENCE

## Notes on the system

- Fixation and jointing kits (for continuous systems) are packaged separately, please check thoroughly before reporting missing components.
- Max luminaire housing length 3m (nom)
- Housings supplied as either :- Individual (IND), End of Run (EOR), Intermediate (INT)
- Maximum system weight per meter :- 5kg
- 2 suspensions/fixings per housing
- Aperture must be carefully maintained when installing first fix trimless frames.
- Install luminaires into trimless housings only once ceiling finishes have been applied (i.e paint)

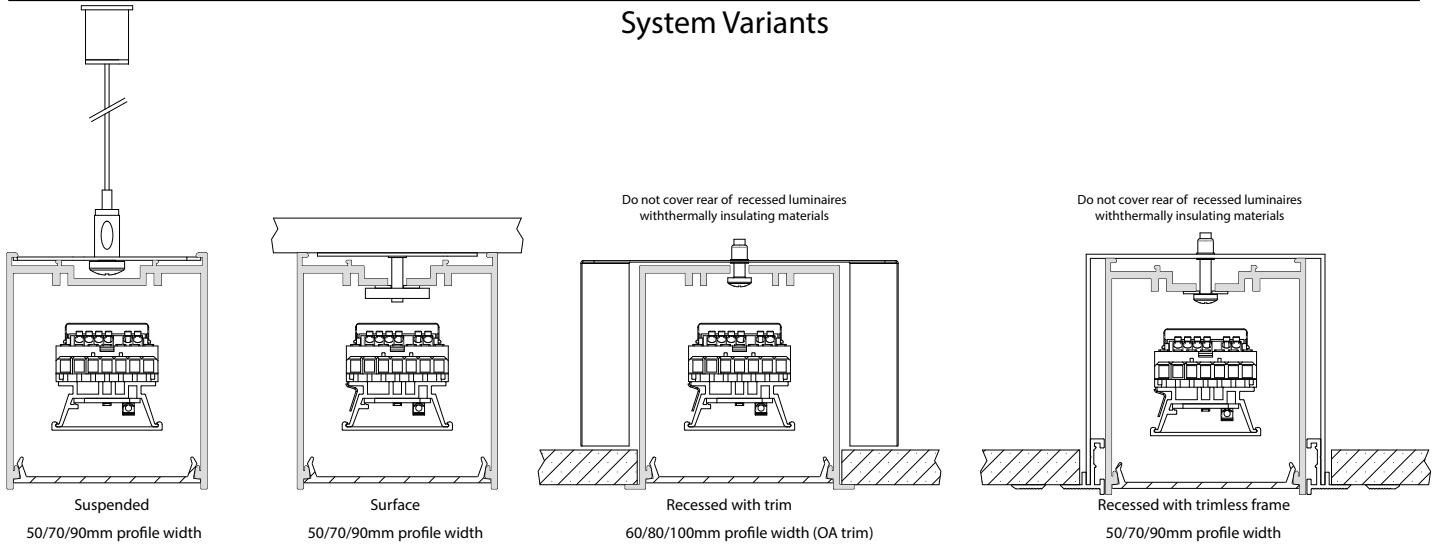
## Safety

- Ensure mains supply to luminaire is disconnected before installation or maintenance
- It's recommended installation is only performed by a qualified electrical contractor in compliance with current IEE regulation
- When applicable consideration, should be made that the fixing details & location is of a suitable size.

## Ratings

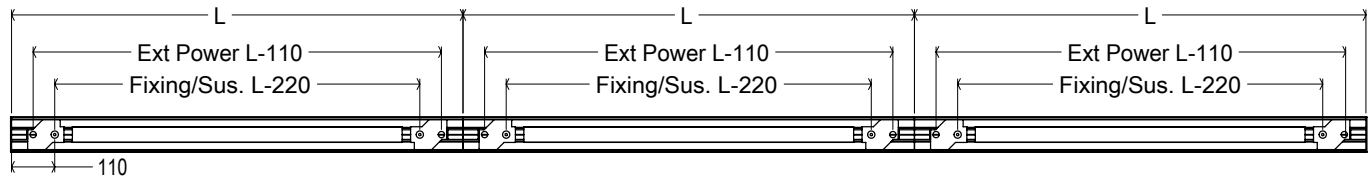
- This luminaire is manufactured in compliance with BS EN60598 & CE Marked
- This Luminaire is designed to operate at 230VAC -6% +10% 216v to 252v. DO NOT OPERATE OUTSIDE THIS
- This luminaire is only suitable for installation within their rated Ingress Protection limits.

## System Variants

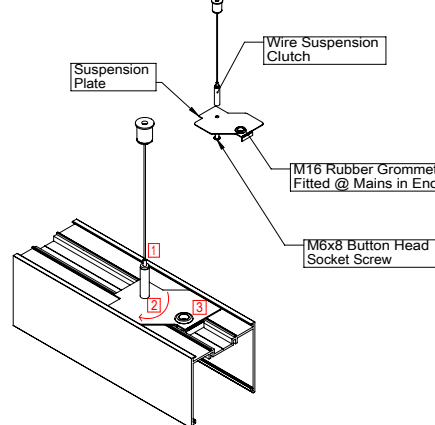


## System layout - Suspension/fixing points

Example shows a run made up of 3 housings, this is indicative and suspension/power points remain the same for all configurations.

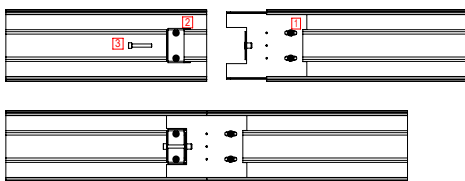


### Suspension mounted



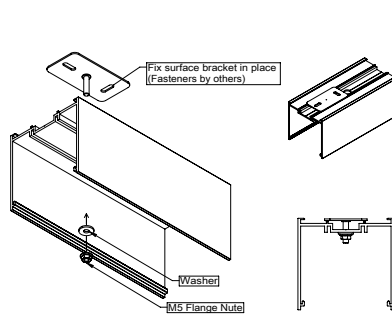
1. Fit clutch to suspension plate with M6x8 Screw supplied
2. Rotate suspension plate with clutch fitted into place
3. Bend down easy form tab to secure suspension into place  
\*\*\*VERY IMPORTANT\*\*\*

### Jointing

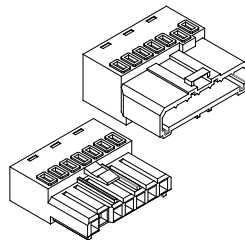


1. Affix joint channel to one side of joint, lining up 2mm holes on joint centre line
2. Slide joint together then fix joint tension tab in place
3. Use M4x20 Screw to pull joint together

### Surface mounted



### Through Wiring



Plug & socket connectors for through wiring

### Recessed Trim/Trimless

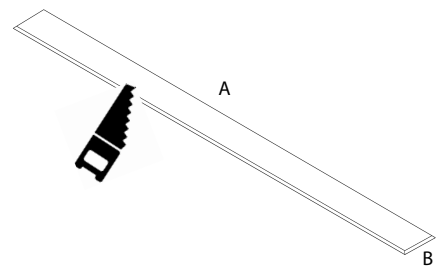
Cut out sizes for recessed with Trim (Where L= Quoted Length) :

- SubSpace 50 = L+5mm (A) x 55mm (B)
- SubSpace 70 = L+5mm (A) x 78mm (B)
- SubSpace 90 = L+5mm (A) x 95mm (B)

Cut out sizes for recessed without Trim (Where L= Quoted Length) :

- SubSpace 50 = L+25mm (A) x 75mm (B)
- SubSpace 70 = L+25mm (A) x 100mm (B)
- SubSpace 90 = L+25mm (A) x 115mm (B)

Prepare aperture to sizes listed above



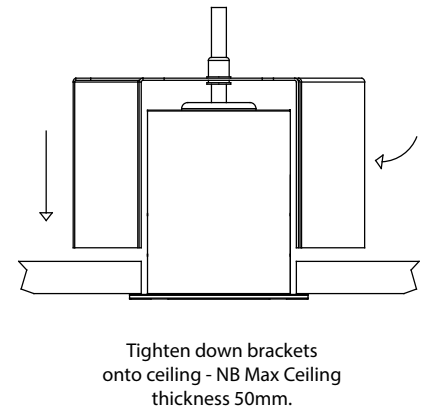
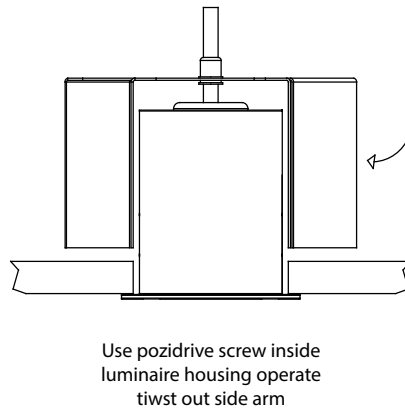
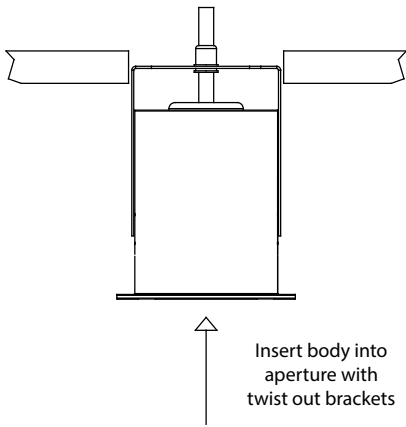
Instructions continue on reverse

# Linear System

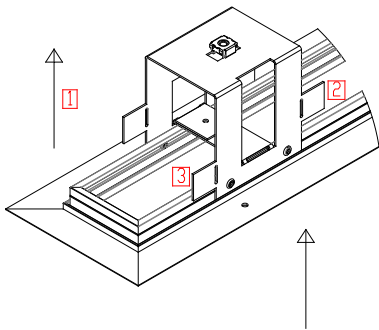
Installation details for - 50/70/90, Suspended, Surface  
Recessed & Recessed Trimless versions

THESE INSTRUCTIONS MUST BE READ CAREFULLY PRIOR TO INSTALLATION & KEPT FOR FUTURE REFERENCE

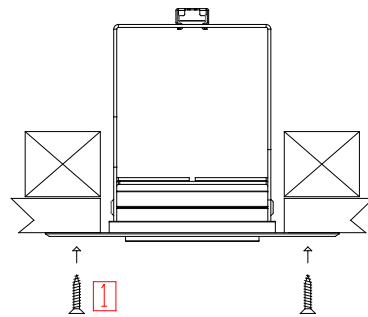
## Recessed - Trim



## Recessed - Trimless



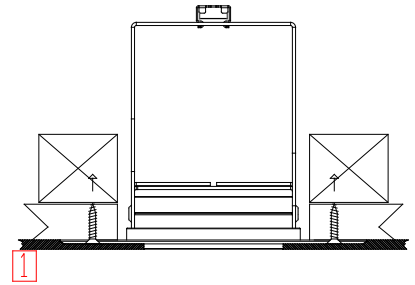
- 1 - Insert trimless framing system into prepared ceiling aperture
- 2 - Bend out tabs to hold the frame in the ceiling before screwing through the flange into a wooden batten positioned behind MF ceiling.
- NB - Tab 2 is suitable for up to 50mm ceiling thickness, Tab 3 is suitable for up to 13mm ceiling thickness



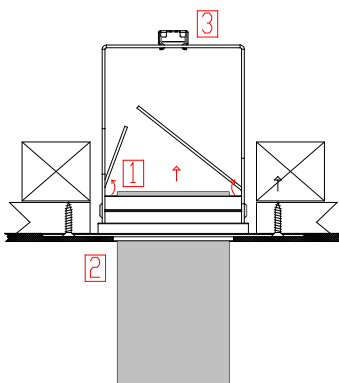
- 1 - Screw frame into place, it is very important the correct aperture is maintained and the frame is securely fastened in place. Add any additional fixings where necessary depending on ceiling construction.

\*\*\*\*IMPORTANT\*\*\*\*

The frames are supplied with a setting jig and are labelled with the correct aperture size. It is down to the INSTALLER! to ensure this is correct prior to applying further wet ceiling finishes, i.e plaster/painting



- 1 - Skim ceiling with plaster up to aperture skim edge. Make sure to clean excess plaster from the inside of the frame aperture prior to applying further ceiling finishes i.e paint.



- 1 - Remove aperture set retention screw and bend tabs up so they are no longer visible.
- 2 - Insert luminaire into trimless framing system.
- 3 - Fix luminaire into with screws provided into M5 Cage nut already installed into the trimless framing system.

## Notes: