

3K 4K 2.7-5.7K

IP20



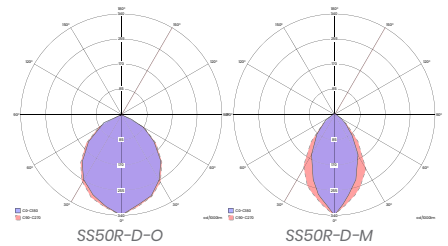
EM3

SubSpace 50R

Recessed

Subspace 50R is a recessed linear architectural luminaire, manufactured from extruded aluminium, with a profile dimension of 60mm x 80mm. Supplied as Direct, in standard or custom lengths, with a variety of optics to suit your needs.

- Efficacy of up to 115 lm/W.
- LG7 Complaint, UGR<19 (when used with microprism diffuser).
- Colour temperatures: 3000°k, 4000°k or Tuneable White (2700°k - 5700°k).
- Colour Finishes: White (9016), Black (9005) or Silver (9006). Other RAL colours, available on request.
- Dimming options: DALI 1-100% Dim, DSI, Switch Dim, 1-10v, DALI 10-100% Dim.
- Wireless control options: Casambi or Bluetooth.
- Industry driver options: Fixed output or Dali dimming, for extended service life.
- Mounting options: Recessed with Trim or Recessed with Trimless bracket.
- Emergency options: Standard 3hr, Self-Test or Dali addressable.
- Square, or rectangular features are also available upon request*.
- Special projects, which may combine both wall & ceiling, using recessed, surface and suspended versions in a single line of light, are also available upon request*.
- Integrated PIR available upon request*.



Technical

Product	SubSpace 50R
Mounting type	Recessed
Standard Lengths	870-2960mm
Custom Lengths	140mm increments
Lumen/M	1100-5500 Lm/M
Efficacy	Up to 115 lm/W
Colour Temperature	Warm White (3K) Neutral White (4K) Tunable White (2.7K >5.7K)
Optics	Opal diffuser Microprism (UGR<19) Louvre Drop diffuser Daisy
Control	DALI 1-100%, DSI, 1-10V, Casambi, Bluetooth, Fixed Output, Industry DALI, Industry Fixed Output, DALI 10-100%
Emergency	3 hour, DALI, Self-Test
Rendering	Ra80+
IP Rating	IP20
Safety Class	Class 1
MacAdam	SDCM 2
L70/B10	>75K

* Please contact P&A Technical Department for assistance

P&A SubSpace 50R

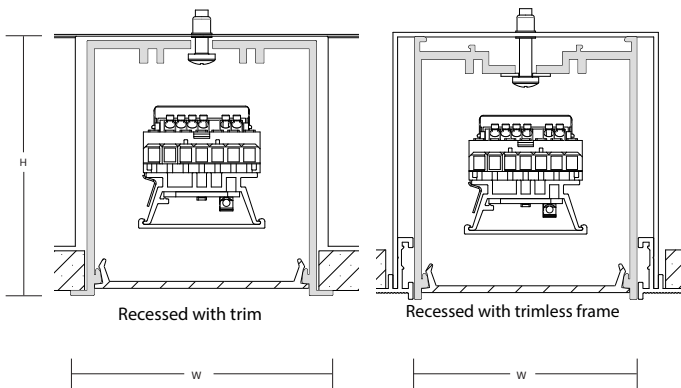
Luminaire Order Builder

SS50R

STEP 1. Select Frame	STEP 2. Current	STEP 3. Optics	STEP 4. Length	STEP 5. CCT	STEP 6. Control	STEP 7. Finish	STEP 8. Emergency
R Recessed with Trim	15 150mA 1100 Lm/M - 10W/m	O Opal Diffuser	8 870mm	3K 3000K	FO Fixed Output	W RAL9016M	E3 Standard 3 Hour
TL Recessed with Trimless	20 200mA 1500 Lm/M - 14W/m	M Microprism UGR49	11 1150mm	4K 4000K	A1 DALI 1-100% Dim	B RAL9005	ED DALI/EMPRO
	25 250mA 1900 Lm/M - 17W/m	L Louvre	14 1430mm	TW 2700K - 5700K Tunable white	A2 DSI	S RAL9006	ES Self-Test
	30 300mA 2200 Lm/M - 20W/m	DR Drop Diffuser	17 1710mm		A3 Switch Dim	Z Custom	
	35 350mA 2600 Lm/M - 24W/m	D Daisy	19 1990mm		A4 1-10v		
	40 400mA 3000 Lm/M - 27W/m		22 2270mm		A5 Casambi		
			25 2550mm		A6 Bluetooth		
			29 2960mm		A7 Industry Fixed Output		
			ZZ Custom		A8 Industry DALI		

All electrical and optical data subject to $\pm 10\%$ tolerances.
Values based on 4000K Colour temperature.

Example Code: SS50R-R-15-O-11-4K-A1-W-E3



Dimensions

L	W	H
870	60	80
1150	60	80
1430	60	80
1710	60	80
1990	60	80
2270	60	80
2550	60	80
2960	60	80
Custom*	60	80

All dimensions are measured in millimetres (mm).
*Custom lengths upon request.

Finish

RAL	Code	Colour Swatch
White	9016M	
Black	9005	
Silver	9006	
Custom*	Custom*	

*Custom Colours upon request.

IP20

IP20
Protection of fingers against access to hazardous parts, and protection against objects larger than 12.5mm



Safety Class
Class 1 Safety: chassis is connected to earth with a separate terminal, instead of via the mains cable



Warranty
5 year Guarantee



Crown House, Plantation Rd, Burscough, Lancashire, L40 8JT
01704 891333
sales@pandaprojects.co.uk
www.pandaprojects.co.uk

Datasheet Code: PA-10430-0

CE BS EN60598-1:2015
ISO 9001 Certification

