

3K 4K 6.5K 2.7-5.7K

IP20



EM3

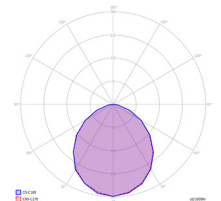


# Reach Q-Sky

Recessed

The Reach Q-Sky luminaire, has been designed for areas with little or no natural daylight, by creating the illusion of a skylight, helping to eliminate cave like environments. Supplied as a single unit, with various vinyl options, luminaires can be grouped to form larger skylights.

- Available in 3 standard vinyl's: Sky, SkyTree, SkyLeaf\*
- Designed for 15 or 25mm exposed T ceilings as standard (Other variants available on request).
- Colour temperatures: 3000°k, 4000°k, 6500°k or Tuneable White (2700°k -5700°k).
- Colour Finishes: White (9016) as standard.
- Dimming options: DALI 1-100% Dim, DSI, Switch Dim, 1-10v.
- Wireless control options: Casambi or Bluetooth.
- Emergency options: Standard 3hr, Self-Test or Dali addressable.



Reach Sky

## Technical

Product	Reach Q-Sky
Mounting type	Recessed
Lumens	1002 - 2004 Lm
Colour Temperature	Warm White (3K) Neutral White (4K) Daylight (6.5K) Tunable White (2.7K >5.7K)
Optics	Sky SkyTree SkyLeaf Custom*
Control	DALI 1-100%, DSI, 1-10V, Casambi, Bluetooth, Fixed Output
Emergency	3 hour, DALI, Self-Test
Rendering	Ra80
IP Rating	IP20
Safety Class	Class 1
MacAdam	SDCM 2
L70/B10	>75K

\* Custom vinyl's available on request, Please contact P&A Technical Department for assistance

# P&A Reach Q-Sky

## Luminaire Order Builder

### Reach Q-Sky

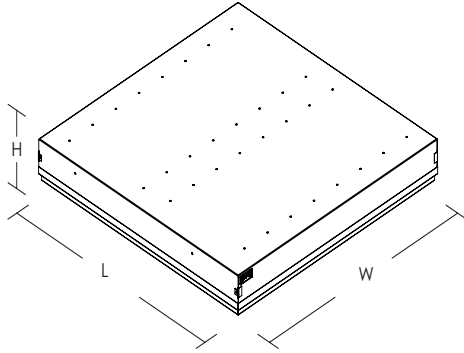
STEP 1. Select Current	STEP 2. CCT	STEP 3. Optics	STEP 4. Control	STEP 5. Finish	STEP 6. Emergency
<b>25</b> 250mA 1002 Lm - 24W	<b>3K</b> 3000K	<b>SV1</b> Single Luminaire Sky Vinyl	<b>FO</b> Fixed Output	<b>W</b> RAL9016	<b>E3</b> Standard 3 Hour
<b>30</b> 300mA 1202 Lm - 28.8W	<b>4K</b> 4000K	<b>SV2</b> Twin Luminaires Sky Vinyl	<b>A1</b> DALI 1-100% Dim		<b>ED</b> DALI/EMPRO
<b>35</b> 350mA 1403 Lm - 33.6W	<b>65K</b> 6500K	<b>SV3</b> Triple Luminaires Sky Vinyl	<b>A2</b> DSI		<b>ES</b> Self-Test
<b>40</b> 400mA 1603 Lm - 38.4W	<b>TW</b> 2700K - 5700K Tunable white	<b>SV4</b> Quadruple Luminaires Sky Vinyl	<b>A3</b> Switch Dim		
<b>45</b> 450mA 1803 Lm - 43.2W		<b>ST1</b> Single Luminaire SkyTree Vinyl	<b>A4</b> 1-10v		
<b>50</b> 500mA 2004 Lm - 48W		<b>ST2</b> Twin Luminaires SkyTree Vinyl	<b>A5</b> Casambi		
		<b>ST3</b> Triple Luminaires SkyTree Vinyl	<b>A6</b> Bluetooth		
		<b>ST4</b> Quadruple Luminaires SkyTree Vinyl			
		<b>SL1</b> Single Luminaire SkyLeaf Vinyl			
		<b>SL2</b> Twin Luminaires SkyLeaf Vinyl			
		<b>SL3</b> Triple Luminaires SkyLeaf Vinyl			
		<b>SL4</b> Quadruple Luminaires SkyLeaf Vinyl			
		<b>Z</b> Custom			

All electrical and optical data subject to  $\pm 10\%$  tolerances.  
 Values based on 4000K Colour temperature & Sky Vinyl  
 Lumen outputs based on a single luminaire, For twin, triple & Quadruple luminaires please multiply this base figure.

Example Code: QSKY-25-4K-SV1-FO-W-E3



# P&A Reach Q-Sky



## Dimensions

L	W	H	Finish	Code	Colour Swatch
595	595	70	White	9016M	<input type="text"/>

All dimensions are measured in millimetres (mm)

## Finish

## Luminaire images/arrangements

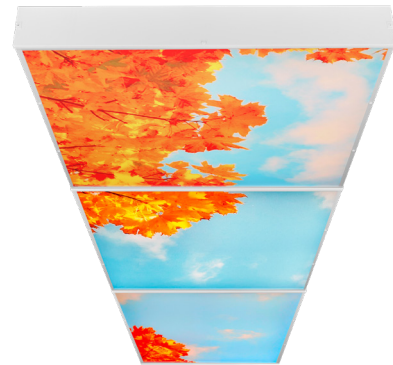
### Single Luminaire

Sky/Leaf example shown (SL1)



### Triple Luminaire

Sky/Leaf example shown (SL1 & SL2 & SL3)



### Twin Luminaire

Sky/Leaf example shown (SL1 & SL2)



### Quadruple Luminaire

Sky/Leaf example shown (SL1 & SL2 & SL3 & SL4)



**IP20**  
Protection of fingers against access to hazardous parts, and protection against objects larger than 12.5mm



**Safety Class Class 1**  
Safety chassis is connected to earth with a separate terminal, instead of via the mains cable



**Warranty**  
5 year Guarantee



Crown House, Plantation Rd, Burscough, Lancashire, L40 8JT  
01704 891333  
sales@pandaprojects.co.uk  
www.pandaprojects.co.uk

Datasheet Code: PA-10023-0

CE BS EN60598-1:2015  
ISO 9001 Certification

MADE IN BRITAIN