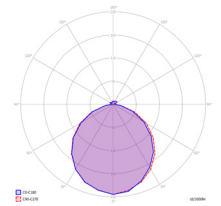


# Space 2

## Surface

Space 2 is a contemporary surface mounted luminaire with a streamlined appearance, creates a perfect finish to modern offices. Available in various optics and outputs, to suit your needs. Supplied in Direct as standard.

- Efficacy of up to 106 lm/W
- LG7 Compliant, UGR<19 when used with microprism diffuser.
- Colour temperatures: 3000°k, 4000°k.
- Colour Finishes: White (9016) as standard. Other RAL colours, available on request.
- Can be continuously mounted with infill sections
- Dimming options: DALI 1-100% Dim, DSI, Switch Dim, 1-10v.
- Wireless control options: Casambi.
- Options: PIR sensor.
- Emergency options: Standard 3hr, Self-Test or Dali addressable, 3Hr Dali Wireless Sentinel.



SP-2-O

### Technical

Product	Space 2
Mounting type	Surface
Standard Lengths	650mm
	1200mm 1500mm
Lumen	1157 - 4338 Lm
Efficacy	Up to 106 lm/W
Colour Temperature	Warm White (3K)
	Neutral White (4K)
Optics	Opal diffuser
	Microprism (UGR<19)
Control	DALI 1-100%, DSI, 1-10V, Casambi, Fixed output
Emergency	3 hour, DALI, Self-Test, DALI Wireless Sentinel
Rendering	Ra80+
IP Rating	IP20
Safety Class	Class 1
MacAdam	SDCM 2
L70/B10	>75K

# P&A Space 2

## Luminaire Order Builder

### Space2-SF-6 (650mm)

STEP 1. Select Current	STEP 2. Direction	STEP 3. Optics	STEP 4. CCT	STEP 5. Control	STEP 6. Finish	STEP 7. Options	STEP 8. Emergency
<b>30</b> 300mA 1157 Lm - 11.5W  <b>35</b> 350mA 1349 Lm - 13.5W  <b>40</b> 400mA 1542 Lm - 15.4W  <b>45</b> 450mA 1735 Lm - 17.3W  <b>50</b> 500mA 1919 Lm - 18W	<b>D</b> Direct	<b>O</b> Opal Diffuser  <b>M</b> Microprism UGR<19	<b>3K</b> 3000K  <b>4K</b> 4000K	<b>FO</b> Fixed Output  <b>A1</b> DALI 1-100% Dim  <b>A2</b> DSI  <b>A3</b> Switch Dim  <b>A4</b> 1-10v  <b>A5</b> Casambi	<b>W</b> RAL9016M  <b>B</b> RAL9005  <b>S</b> RAL9006  <b>Z</b> Custom	<b>PIR</b> Passive Infrared sensor	<b>E3</b> Standard 3 Hour  <b>ED</b> DALI/EMPRO  <b>ES</b> Self-Test  <b>EW</b> 3 hour DALI Wireless Sentinel

All electrical and optical data subject to  $\pm 10\%$  tolerances.  
Values based on 4000K Colour temperature.

Example Code: SPACE2-SF-6-50-D-M-4K-A1-W-EW

### Space2-SF-12 (1200mm)

STEP 1. Select Current	STEP 2. Direction	STEP 3. Optics	STEP 4. CCT	STEP 5. Control	STEP 6. Finish	STEP 7. Options	STEP 8. Emergency
<b>20</b> 200mA 1542 Lm-15.9W  <b>25</b> 250mA 1928 Lm- 19.9W  <b>30</b> 300mA 2313 Lm - 23.9W  <b>35</b> 350mA 2699 Lm - 27.8W  <b>40</b> 400mA 3084 Lm -31.8W  <b>45</b> 450mA 3470 Lm - 35.8W	<b>D</b> Direct	<b>O</b> Opal Diffuser  <b>M</b> Microprism UGR<19	<b>3K</b> 3000K  <b>4K</b> 4000K	<b>FO</b> Fixed Output  <b>A1</b> DALI 1-100% Dim  <b>A2</b> DSI  <b>A3</b> Switch Dim  <b>A4</b> 1-10v  <b>A5</b> Casambi	<b>W</b> RAL9016M  <b>B</b> RAL9005  <b>S</b> RAL9006  <b>Z</b> Custom	<b>PIR</b> Passive Infrared sensor	<b>E3</b> Standard 3 Hour  <b>ED</b> DALI/EMPRO  <b>ES</b> Self-Test  <b>EW</b> 3 hour DALI Wireless Sentinel

All electrical and optical data subject to  $\pm 10\%$  tolerances.  
Values based on 4000K Colour temperature.

Example Code: SPACE2-SF-12-20-D-O-4K-A1-W-E3



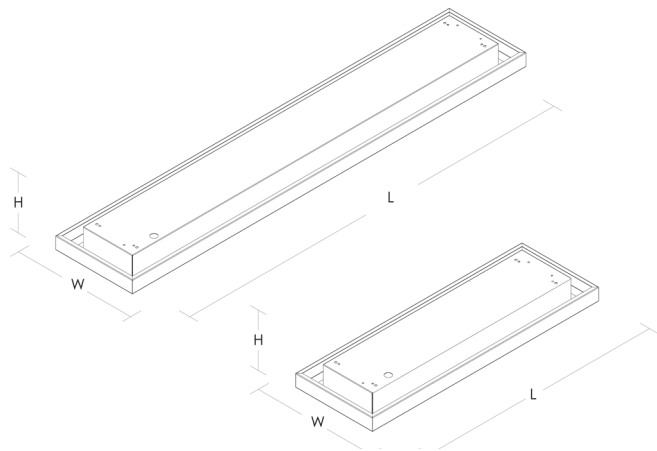
# P&A Space 2

## Space2-SF-15 (1500mm)

STEP 1. Select Current	STEP 2. Direction	STEP 3. Optics	STEP 4. CCT	STEP 5. Control	STEP 6. Finish	STEP 7. Options	STEP 8. Emergency
<b>20</b> 200mA 1928 Lm-19.2W  <b>25</b> 250mA 2410 Lm- 24W  <b>30</b> 300mA 2892 Lm - 28.8W  <b>35</b> 350mA 3374 Lm - 33.6W  <b>40</b> 400mA 3856 Lm -38.4W  <b>45</b> 450mA 4338 Lm - 43.3W	<b>D</b> Direct	<b>O</b> Opal Diffuser  <b>M</b> Microprism UGR<19	<b>3K</b> 3000K  <b>4K</b> 4000K	<b>FO</b> Fixed Output  <b>A1</b> DALI 1-100% Dim  <b>A2</b> DSI  <b>A3</b> Switch Dim  <b>A4</b> 1-10v  <b>A5</b> Casambi	<b>W</b> RAL9016M  <b>B</b> RAL9005  <b>S</b> RAL9006  <b>Z</b> Custom	<b>PIR</b> Passive Infrared sensor  <b>ES</b> Self-Test  <b>EW</b> 3 hour DALI Wireless Sentinel	<b>E3</b> Standard 3 Hour  <b>ED</b> DALI/EMPRO  <b>ES</b> Self-Test  <b>EW</b> 3 hour DALI Wireless Sentinel

All electrical and optical data subject to  $\pm 10\%$  tolerances.  
Values based on 4000K Colour temperature.

Example Code: SPACE2-SF-15-40-D-O-4K-A1-W-PIR-E3



### Dimensions

L	W	H	Finish	Code	Colour Swatch
650	250	65	White	9016	
1280	250	65	Black	9005	
1588	250	65	Silver	9006	
			Custom*	Custom*	

All dimensions are measured in millimetres (mm)

\*Custom Colours upon request



Crown House, Plantation Rd, Burscough, Lancashire, L40 8JT  
01704 891333  
sales@pandaprojects.co.uk  
www.pandaprojects.co.uk

Datasheet Code: PA-10301-0

