



3K

4K

IP20



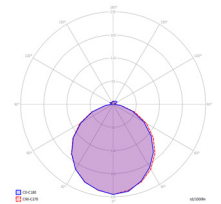
EM3

Space 2

Suspended

Space 2 is a contemporary suspended luminaire with a streamlined appearance, creates a perfect finish to modern offices. Available in various optics and outputs, to suit your needs. Supplied in Direct/ Indirect as standard.

- Efficacy of up to 106 lm/W
- LG7 Compliant, UGR<19 when used with microprism diffuser.
- Colour temperatures: 3000°k, 4000°k.
- Colour Finishes: White (9016) as standard. Other RAL colours, available on request.
- Can be continuously mounted with infill sections
- Dimming options: DALI 1-100% Dim, DSI, Switch Dim, 1-10v.
- Wireless control options: Casambi.
- Options: PIR sensor.
- Emergency options: Standard 3hr, Self-Test or Dali addressable, 3hr Dali Wireless Sentinel.



SP-2-O

Technical

Product	Space 2
Mounting type	Suspended
Standard Lengths	650mm
	1200mm
	1500mm
Lumen	1157- 4338 Lm
Efficacy	Upto 106 lm/W
Colour Temperature	Warm White (3K)
	Neutral White (4K)
Optics	Opal diffuser
	Microprism (UGR<19)
Control	DALI 1-100%, DSI, 1-10V, Casambi, Fixed output
Emergency	3 hour, DALI, Self-Test, DALI Wireless Sentinel
Rendering	Ra80+
IP Rating	IP20
Safety Class	Class 1
MacAdam	SDCM 2
L70/B10	>75K

P&A Space 2

Luminaire Order Builder

Space2-WS-6 (650mm)

STEP 1. Select Current	STEP 2. Direction	STEP 3. Optics	STEP 4. CCT	STEP 5. Control	STEP 6. Finish	STEP 7. Options	STEP 8. Emergency
30 300mA 1157 Lm - 11.5W 35 350mA 1349 Lm - 13.5W 40 400mA 1542 Lm - 15.4W 45 450mA 1735 Lm - 17.3W 50 500mA 1919 Lm - 18W	DI Direct/Indirect	O Opal Diffuser M Microprism UGR<19	3K 3000K 4K 4000K	FO Fixed Output A1 DALI 1-100% Dim A2 DSI A3 Switch Dim A4 1-10v A5 Casambi	W RAL9016M B RAL9005 S RAL9006 Z Custom	PIR Passive Infrared sensor	E3 Standard 3 Hour ED DALI/EMPRO ES Self-Test EW 3 hour DALI Wireless Sentinel

All electrical and optical data subject to $\pm 10\%$ tolerances.
Values based on 4000K Colour temperature.

Example Code: SPACE2-WS-6-50-D-M-4K-A1-W-EW

Space2-WS-12 (1200mm)

STEP 1. Select Current	STEP 2. Direction	STEP 3. Optics	STEP 4. CCT	STEP 5. Control	STEP 6. Finish	STEP 7. Options	STEP 8. Emergency
20 200mA 1542 Lm-15.9W 25 250mA 1928 Lm- 19.9W 30 300mA 2313 Lm - 23.9W 35 350mA 2699 Lm - 27.8W 40 400mA 3084 Lm -31.8W 45 450mA 3470 Lm - 35.8W	DI Direct/Indirect	O Opal Diffuser M Microprism UGR<19	3K 3000K 4K 4000K	FO Fixed Output A1 DALI 1-100% Dim A2 DSI A3 Switch Dim A4 1-10v A5 Casambi	W RAL9016M B RAL9005 S RAL9006 Z Custom	PIR Passive Infrared sensor	E3 Standard 3 Hour ED DALI/EMPRO ES Self-Test EW 3 hour DALI Wireless Sentinel

All electrical and optical data subject to $\pm 10\%$ tolerances.
Values based on 4000K Colour temperature.

Example Code: SPACE2-WS-12-20-D-O-4K-A1-W-E3



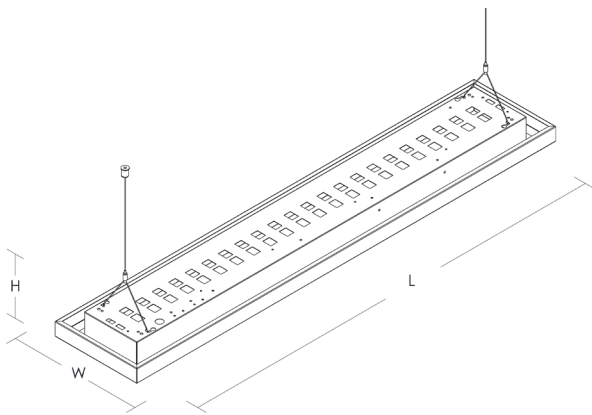
P&A Space 2

Space2-WS-15 (1500mm)

STEP 1. Select Current	STEP 2. Direction	STEP 3. Optics	STEP 4. CCT	STEP 5. Control	STEP 6. Finish	STEP 7. Options	STEP 8. Emergency
20 200mA 1928 Lm-19.2W 25 250mA 2410 Lm- 24W 30 300mA 2892 Lm - 28.8W 35 350mA 3374 Lm - 33.6W 40 400mA 3856 Lm -38.4W 45 450mA 4338 Lm - 43.3W	DI Direct/Indirect	O Opal Diffuser M Microprism UGR<19	3K 3000K 4K 4000K	FO Fixed Output A1 DALI 1-100% Dim A2 DSI A3 Switch Dim A4 1-10v A5 Casambi	W RAL9016M B RAL9005 S RAL9006 Z Custom	PIR Passive Infrared sensor ES Self-Test EW 3 hour DALI Wireless Sentinel	E3 Standard 3 Hour ED DALI/EMPRO ES Self-Test EW 3 hour DALI Wireless Sentinel

All electrical and optical data subject to $\pm 10\%$ tolerances.
Values based on 4000K Colour temperature.

Example Code: SPACE2-WS-15-40-D-O-4K-A1-W-PIR-E3



Dimensions

L	W	H	Finish	Code	Colour Swatch
1280	250	65	White	9016	
1588	250	65	Black	9005	
			Silver	9006	
			Custom*	Custom*	

All dimensions are measured in millimetres (mm)

*Custom Colours upon request

