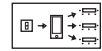


3K

4K

IP20



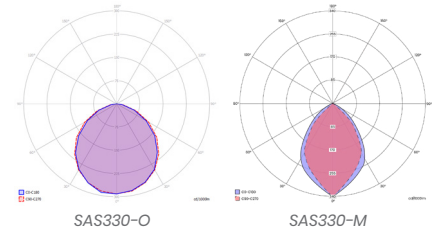
EM3

# SAS330

Recessed

SAS330 is a recessed office luminaire, designed for installation into a SAS 330 ceiling.

- Efficacy of up to 120 lm/W
- LG7 Compliant, UGR<19 when used with microprism diffuser.
- Colour temperatures: 3000°k, 4000°k.
- Colour Finishes: White (9016) as standard, Other RAL colours available upon request.
- Dimming options: DALI 1-100% Dim, DSI, Switch Dim, 1-10v.
- Wireless control options: Casambi.
- Emergency options: Standard 3hr, Self-Test or Dali addressable, 3hr Dali Wireless Sentinel.



## Technical

Product	SAS330
Mounting type	Recessed
Lumens	4726 - 6617 Lm
Efficacy	Up to 120 lm/W
Colour Temperature	Warm White (3K) Neutral White (4K)
Optics	Opal diffuser Microprism (UGR<19)
Control	DALI 1-100%, DSI, 1-10V, Casambi, Fixed Output
Emergency	3 hour, DALI, Self-Test, DALI Wireless Sentinel
Rendering	Ra80
IP Rating	IP20
Safety Class	Class 1
MacAdam	SDCM 2
L70/B10	>75K

# PA SAS330

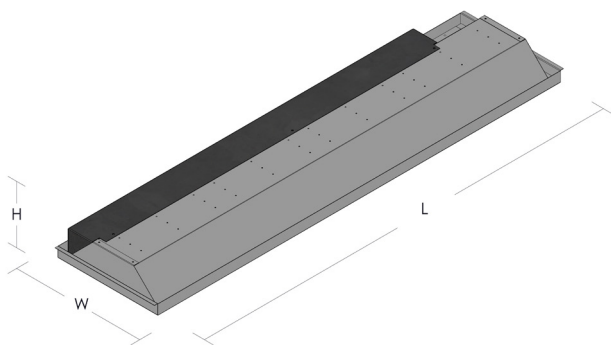
## Luminaire Order Builder

### SAS330

STEP 1. Current	STEP 2. Optics	STEP 3. CCT	STEP 4. Control	STEP 5. Finish	STEP 6. Emergency
<b>25</b> 250mA 4726 Lm - 39.3W  <b>35</b> 350mA 6617 Lm - 55W	<b>O</b> Opal Diffuser  <b>M</b> Microprism UGR19	<b>3K</b> 3000K  <b>4K</b> 4000K	<b>FO</b> Fixed Output  <b>A1</b> DALI 1-100% Dim  <b>A2</b> DSI  <b>A3</b> Switch Dim  <b>A4</b> 1-10v  <b>A5</b> Casambi	<b>W</b> RAL9016M  <b>Z</b> Custom	<b>E3</b> Standard 3 Hour  <b>ED</b> DALI/EMPRO  <b>ES</b> Self-Test  <b>EW</b> 3 hour DALI Wireless Sentinel

All electrical and optical data subject to  $\pm 10\%$  tolerances. Values based on 4000K Colour temperature.

Example Code: SAS330-25-O-3K-A1-W-E3



#### Dimensions

L	W	H	Finish RAL	Code	Colour Swatch
1195	295	75	White	9016M	
			Custom*	Custom*	

#### Finish

All dimensions are measured in millimetres (mm)

\*Custom Colours upon request



**IP20**  
 Protection of fingers against access to hazardous parts, and protection against objects larger than 12.5mm



**Safety Class**  
 Class 1 Safety: chassis is connected to earth with a separate terminal, instead of via the mains cable



**Warranty**  
 5 year Guarantee



Crown House, Plantation Rd, Burscough, Lancashire, L40 8JT  
 01704 891333  
 sales@pandaprojects.co.uk  
 www.pandaprojects.co.uk

Datasheet Code: PA-10126-0

