



45K

IP65



BRI

Surface

BRI is a decorative emergency bulkhead luminaire, with polycarbonate housing and curved diffuser, IP65 rated, suitable for interior and exterior environments. Available with optional hanging blade legend.

- Colour temperature: 4500°k.
- Colour Finish: White only.
- ISO and EC legends available.
- Hanging blade legend* or Self adhesive legends available.
- Nickel Cadmium (NiCd) battery.
- 20m viewing distance with Blade legend.
- Emergency options: Standard 3hr, Self-Test, DALI addressable or 3hr DALI Wireless Sentinel.

Technical

Product	BRI
Mounting type	Surface
Standard Length	240mm
Lumen	150 Lm
Colour Temperature	Neutral White (45k)
Optics	Clear lens Blade sign*
Emergency	3 hour, DALI, Self-Test, 3 Hour DALI Wireless Sentinel
Rendering	Ra80+
IP Rating	IP65
Safety Class	Class 2
Lifetime	50K

* Hanging blade legend can only be used if surface mounted from ceiling.

Luminaire Order Builder

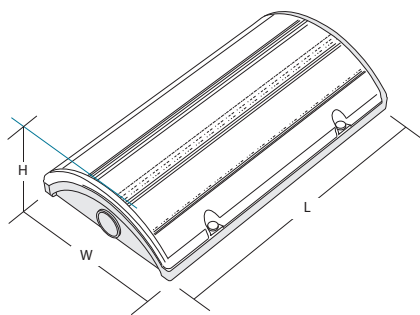
BRI

STEP 1. Select Operation	STEP 2. Optics	STEP 3. CCT	STEP 4. Finish	STEP 5. Emergency	STEP 6. Legend**
M3 Maintained 3.2W - 150lm NM Non maintained 1.2W - 150lm	CL Clear lens BL** Blade Legend	45K 4500K	W White	E3 Standard 3 Hour ED DALI/EMPRO ES Self-Test EW 3 hour DALI Wireless Sentinel	AL Exit sign left ISO Format AR Exit sign right ISO Format AU Exit sign up ISO Format AD Exit sign down ISO Format LA Exit sign left EC Format RA Exit sign right EC Format UA Exit sign up EC Format DA Exit sign down EC Format

All electrical and optical data subject to $\pm 10\%$ tolerances.
Values based on 4000K Colour temperature.

**When ordering Blade legend please include specify exit sign format

Example Code: BRI-M3-CL-45K-W-E3



Clear lens



Blade Legend



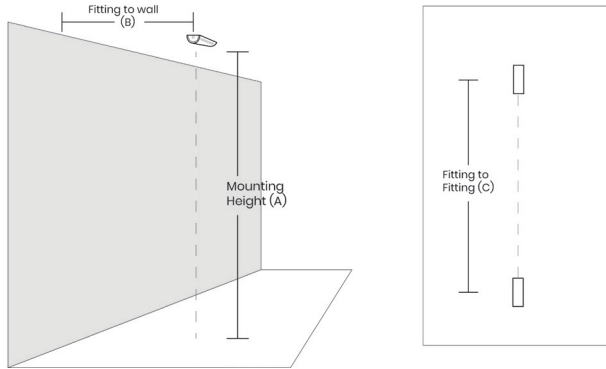
Dimensions

L	W	H	RAL	Code	Colour Swatch
240	130	50	White	W	<input type="text"/>

All dimensions are measured in millimetres (mm)

Finish

Emergency spacings



0.5 Lux min Open Area		
Mounting Height (A)	Trans to Wall/ Trans to Trans	
	Fitting to wall (B)	Fitting to Fitting (C)
2.5	5.1	9.8
4.0	4.4	10.0

1 Lux min Escape Route		
Mounting Height (A)	Axial to Wall/ Axial to Axial	
	Fitting to wall (B)	Fitting to Fitting (C)
2.0	2.0	6.8
4.0	1.4	6.0

All dimensions shown are in metres.

Self adhesive Exit Legends

ISO7010 Legends	Legend	Code	European (EC)	Legend	Code
	ISO Left Arrow	AL		EC Left Arrow	LA
	ISO Right Arrow	AR		EC Right Arrow	RA
	ISO Up Arrow	AU		EC Arrow Up	UA
	ISO Down Arrow	AD		EC Arrow Down	DA

IP65 IP65 Protection against dust (dust tight) and water jets from any angle (2.5mm nozzle)

Safety Class Class 2 Safety chassis is double insulated appliance, designed in such a way that it does not require a safety connection to electrical earth

5 Year Warranty 5 Year Guarantee