

45K

IP65



Fresnel Lens



Deep Drop Diffuser

AXI

Surface & Semi Recessed

AXI is an emergency bulkhead luminaire, with polycarbonate housing and clear Fresnel lens diffuser, IP65, suitable for interior and exterior environments, Available as surface or semi recessed, with optional Deep, drop dish diffuser legend.

- Colour temperature: 4500°k.
- Colour Finish: White as standard.
- ISO and EC legends available.
- Self adhesive escape route Legends available to ISO or EC standard.
- Nickel Cadmium (NiCd) battery.
- 32m viewing distance with DDS diffuser*.
- Emergency options: Standard 3hr, Self-Test, DALI addressable or 3hr DALI Wireless Sentinel.

Technical

Product	AXI
Mounting type	Surface Semi Recessed
Length	350mm
Lumens	150Lm
Colour Temperature	Neutral White (45k)
Optics	Fresnel Lens DDS**
Emergency	3 hour, DALI, Self-Test, 3 hour DALI Wireless Sentinel
Rendering	Ra80+
IP Rating	IP65
Safety Class	Class 2
Lifetime	50K

* Deep drop diffuser viewing distance 32m

**Deep drop diffuser can only used if surface mounted from ceiling.

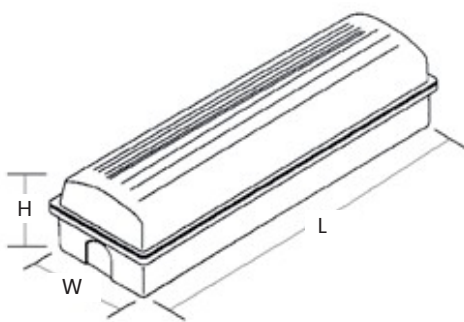
Luminaire Order Builder

AXI

STEP 1. Select mounting	STEP 2. Operation	STEP 3. Optics	STEP 4. CCT	STEP 5. Finish	STEP 6. Legend*	STEP 7. Emergency
SF Surface SR Semi Recessed	M3 Maintained 3.2W - 150lm NM Non maintained 1.2W - 150lm	F Fresnel Lens DDS Deep drop diffuser	45K 4500K	W White	AL Exit sign left ISO Format AR Exit sign right ISO Format AU Exit sign up ISO Format AD Exit sign down ISO Format LA Exit sign left EC Format RA Exit sign right EC Format UA Exit sign up EC Format DA Exit sign down EC Format	E3 Standard 3 Hour ED DALI/EMPRO ES Self-Test EW 3 hour DALI Wireless Sentinel

All electrical and optical data subject to $\pm 10\%$ tolerances.
 Values based on 4500K Colour temperature.
 * Self Adhesive Legends

Example Code: AXISFM3F45KW E3

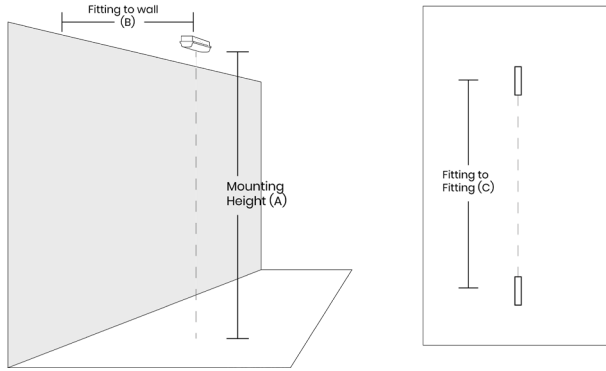


Dimensions

L	W	H	Finish	RAL	Code	Colour Swatch
350	120	90	White		W	
350*	120*	210*				

All dimensions are measured in millimetres (mm)
 *Dimensions for DDS version only

Emergency spacings



0.5 Lux min Open Area		
Mounting Height (A)	Trans to Wall/ Trans to Trans	
	Fitting to wall (B)	Fitting to Fitting (C)
2.5	2.6	8.7
4.0	1.9	8.5

1 Lux min Escape Route		
Mounting Height (A)	Axial to Wall/ Axial to Axial	
	Fitting to wall (B)	Fitting to Fitting (C)
2.0	1.0	3.0
4.0	0.4	2.6

All dimensions shown are in metres.

Self adhesive Exit Legends

ISO7010 Legends	Legend	Code	European (EC)	Legend	Code
	ISO Left Arrow	AL		EC Left Arrow	LA
	ISO Right Arrow	AR		EC Right Arrow	RA
	ISO Up Arrow	AU		EC Arrow Up	UA
	ISO Down Arrow	AD		EC Arrow Down	DA

IP65 IP65 Protection against dust (dust tight) and water jets from any angle (12.5mm nozzle)

Safety Class Class 2 Safety chassis is double insulated appliance, designed in such a way that it does not require a safety connection to electrical earth

5 Year Guarantee Warranty 5 year Guarantee