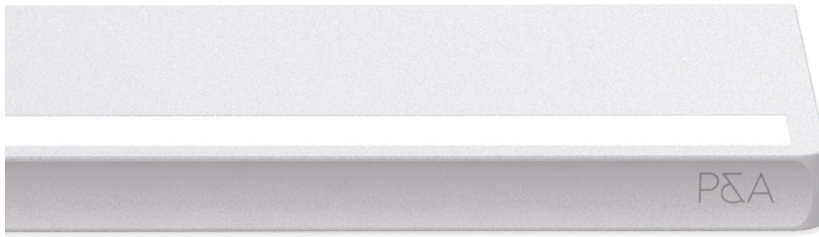




3K 4K 2.7-5.7K

IP20



# BH3

## Surface

BH3 is a sleek wall mounted bed head luminaire, designed for healthcare faculties, with no visible fixings, where dust and dirt can build up, providing a smooth easy to clean surface. Supplied as Direct/indirect as standard.

- Efficacy of up to 114 lm/W.
- Colour temperatures: 3000°k, 4000°k or Tunable White (2700°K - 5700°K).
- Colour Finishes: White (9016), Black (9005) or Silver (9006). Other RAL colours, available on request.
- Dimming options: DALI 1-100%\*.
- Wireless control options: Casambi.
- Emergency options: Standard 3hr, Self-Test, Dali addressable or 3Hr Dali Wireless Sentinel.
- Maximum combined milliamp must not exceed 850mA total.

## Technical

Product	BH3
Mounting type	Surface
Standard Length	600mm
Lumen	925 - 5200 Lm**
Efficacy	Upto 114 lm/W
Colour Temperature	Warm White (3K) Neutral White (4K) Tunable white (2.7K-5.7K)
Optics	Microprism + Opal diffuser (Direct/Indirect)
Control	DALI 1-100%, Casambi,
Emergency	3 hour, DALI, Self-Test, DALI Wireless Sentinel
Rendering	Ra80+
IP Rating	IP20
Safety Class	Class 1
MacAdam	SDCM 2
L70/B10	>75K
Weight	3.7kg

\* 1 x DALI Dual channel driver fitted as standard

\*\* Individual lumens figures, Combined figures must not exceed 6000 lumens.

# P&A BH3

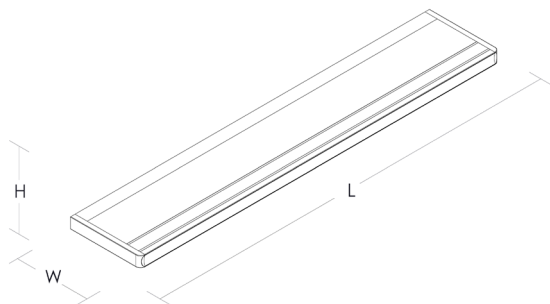
## Luminaire Order Builder

### BH3

STEP 1. Select Direct Current	STEP 2. Select Indirect Current	STEP 3. CCT	STEP 4. Control	STEP 5. Finish	STEP 6. Emergency
<b>D15</b> 150mA 925 Lm Downlight Microprism Diffuser 8W  <b>D20</b> 200mA 1233 Lm Downlight Microprism Diffuser 11W  <b>D30</b> 300mA 1849 Lm Downlight Microprism Diffuser 16.5W  <b>D40</b> 400mA 2466 Lm Downlight Microprism Diffuser 22W  <b>D50</b> 500mA 3082 Lm Downlight Microprism Diffuser 27W  <b>D60</b> 600mA 3699 Lm Downlight Microprism Diffuser 33W  <b>D70</b> 700mA 4315 Lm Downlight Microprism Diffuser 38W	<b>U15</b> 150mA 1128 Lm Uplight Opal Diffuser 8W  <b>U20</b> 200mA 1504 Lm Uplight Opal Diffuser 11W  <b>U30</b> 300mA 2255 Lm Uplight Opal Diffuser 16.5W  <b>U40</b> 400mA 3007 Lm Uplight Opal Diffuser 22W  <b>U50</b> 500mA 3759 Lm Uplight Opal Diffuser 27W  <b>U60</b> 600mA 4511 Lm Uplight Opal Diffuser 33W  <b>U70</b> 700mA 5200 Lm Uplight Opal Diffuser 38W	<b>3K</b> 3000K  <b>4K</b> 4000K  <b>TW</b> 2700K - 5700K Tunable white	<b>A1</b> DALI 1-100% Dim Dual channel driver  <b>A5</b> Casambi	<b>W</b> RAL9016M  <b>B</b> RAL9005  <b>S</b> RAL9006  <b>Z</b> Custom	<b>E3</b> Standard 3 Hour  <b>ED</b> DALI/EMPRO  <b>ES</b> Self-Test  <b>EW</b> 3 hour DALI Wireless Sentinel

All electrical and optical data subject to  $\pm 10\%$  tolerances.  
 Values based on 4000K Colour temperature.  
 Combined mA cannot exceed 850mA total.  
 6000 Lumens maximum based on combined mA settings.  
 Wattage figures above do not include driver losses.

Example Code: BH3D50U354KA1WE3



#### Dimensions

L	W	H
600	221	38

All dimensions are measured in millimetres (mm)

#### Finish

RAL	Code	Colour Swatch
White	9016	
Black	9005	
Silver	9006	
Custom*	Custom*	

\*Custom Colours upon request



Crown House, Plantation Rd, Burscough, Lancashire, L40 8JT  
 01704 891333  
 sales@pandaprojects.co.uk  
 www.pandaprojects.co.uk

Datasheet Code: PA-10551-0

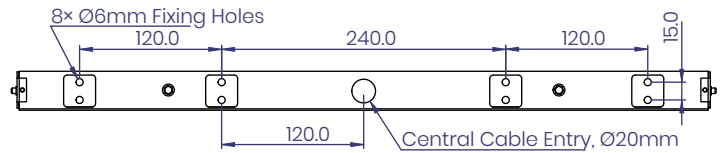
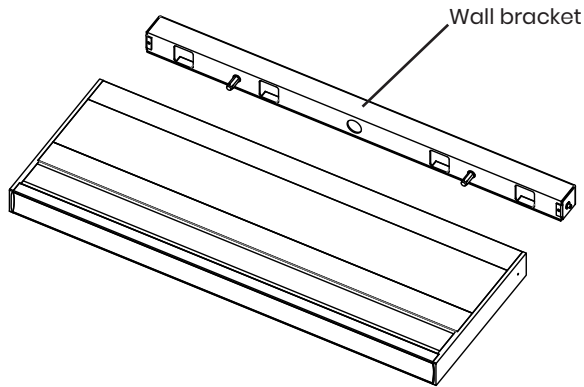
CE BS EN60598-1:2015  
 ISO 9001 Certification



# P&A BH3

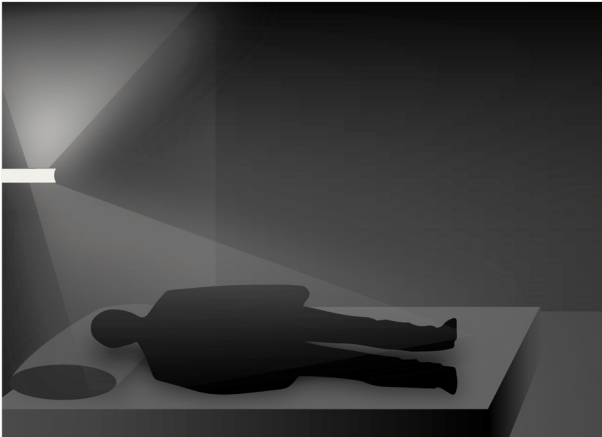
## Wall Bracket

### Fixing details



## Distribution Type

### Direct/Indirect



IP20

IP20  
Protection of fingers against  
access to hazardous parts, and  
protection against objects larger  
than 12.5mm



Safety Class  
Class 1 Safety: chassis is  
connected to earth with a  
separate terminal, instead of via  
the mains cable



Warranty  
5 year Guarantee