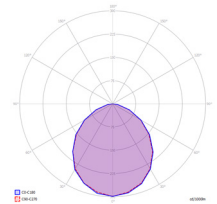


ROVA IP65

Recessed

ROVA IP65 is an heavy duty clean room luminaire designed for slab ceilings and walk on applications. Manufactured from powder coated sheet steel.

- Efficacy of up to 110 lm/W.
- For use in clean rooms up to FS209D Class 1000.
- Suitable for walk on ceilings, built to BS6399 Part 1
- IP65 from the front, IP54 from the rear.
- No visible front fixings, Maintenance access from rear.
- Toughened glass cover as standard with TPA opal or prismatic insert.
- Range of colour temperatures 3000K, 4000K.
- Colour Finishes: White (9016) as standard (Other colours available on request).
- Dimming options: DALI 1-100% Dim, DSI, Switch Dim, 1-10v.
- Wireless control options: Casambi.
- Emergency options: Standard 3hr, Self-Test or Dali addressable, 3hr Dali Wireless Sentinel.



ROVA-IP65-TGO

Technical

Product	ROVA IP65
Mounting type	Recessed
Lengths	600 & 1200mm
Lumens	4220 -10128Lm
Efficacy	Up to 110 lm/W
Colour Temperature	Warm White (3K) Neutral White (4K)
Optics	Toughened glass with opal Toughened glass with prismatic
Control	DALI 1-100%, DSI, 1-10V, Casambi, Fixed Output
Emergency	3 hour, DALI, Self-Test, DALI Wireless Sentinel
Rendering	Ra80
IP Rating	IP65 Front/IP54 rear
Safety Class	Class 1
MacAdam	SDCM 2
L70/B10	>75K

P&A ROVA IP65

Luminaire Order Builder

ROVA-IP65-6 (600mm x 600mm)

STEP 1. Current	STEP 2. Optics	STEP 3. CCT	STEP 4. Control	STEP 5. Finish	STEP 6. Emergency
50 500mA 4220 Lm-38.4W	TGO Toughened glass with Opal linear (TPA)	3K 3000K	FO Fixed Output	W RAL9016M	E3 Standard 3 Hour
55 550mA 4642 Lm-42.2W	TGP Toughened glass with Prismatic linear	4K 4000K	A1 DALI 1-100% Dim	Z Custom	ED DALI/EMPRO
60 600mA 5064 Lm - 46.1W			A2 DSI		ES Self-Test
65 650mA 5486 Lm - 49.9W			A3 Switch Dim		EW 3 hour DALI Wireless Sentinel
70 700mA 5908 Lm - 53.8W			A4 1-10v		
			A5 Casambi		

All electrical and optical data subject to $\pm 10\%$ tolerances.
 Values based on 4000K Colour temperature.

Example Code: ROVAIP65635TGO3KA1WE3

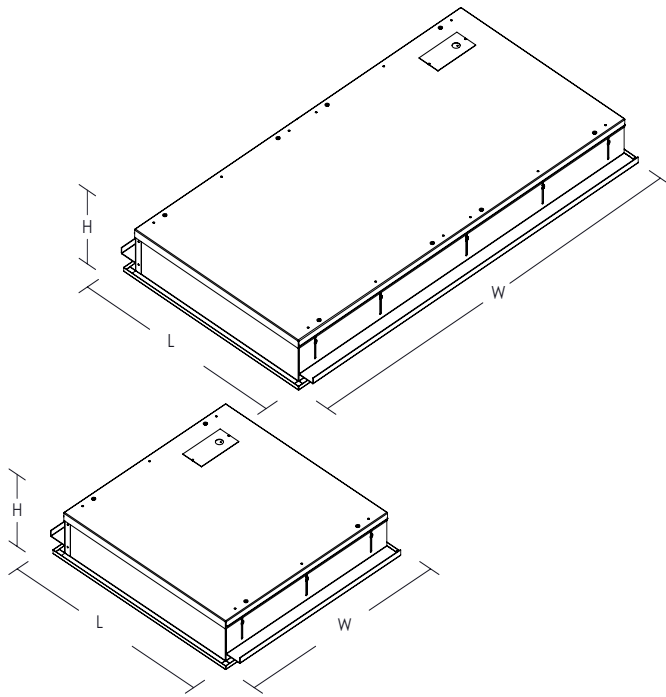
ROVA-IP65-12 (1200 x 600mm)

STEP 1. Current	STEP 2. Optics	STEP 3. CCT	STEP 4. Control	STEP 5. Finish	STEP 6. Emergency
35 350mA 5908 Lm - 53.8W	TGO Toughened glass with Opal linear (TPA)	3K 3000K	FO Fixed Output	W RAL9016M	E3 Standard 3 Hour
40 400mA 6752 Lm -61.4W	TGP Toughened glass with Prismatic linear	4K 4000K	A1 DALI 1-100% Dim	Z Custom	ED DALI/EMPRO
45 450mA 7596 Lm - 69.1W			A2 DSI		ES Self-Test
50 500mA 8440 Lm - 76.8W			A3 Switch Dim		EW 3 hour DALI Wireless Sentinel
55 550mA 9284 Lm - 84.5W			A4 1-10v		
60 600mA 10128 Lm - 92.2W			A5 Casambi		

All electrical and optical data subject to $\pm 10\%$ tolerances.
 Values based on 4000K Colour temperature.

Example Code: ROVAIP651235TGO3KA1WE3

P&A ROVA IP65



Dimensions

L	W	H
600* (Front Frame)	600 (Front Frame)	130
540 (Rear Housing)	540 (Rear Housing)	130
1200 (Front Frame)	600 (Front Frame)	130
1140 (Rear Housing)	540 (Rear Housing)	130

All dimensions are measured in millimetres (mm)

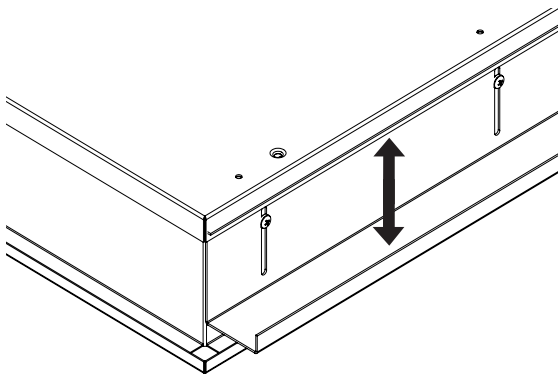
Finish

RAL	Code	Colour Swatch
White	9016M	
Custom*	Custom*	

*Custom Colours upon request

Mounting Bracket

Adjustable rear access mounting bracket



For installation purposes, rear access bracket needs to be installed after luminaire is inserted into ceiling cutout.



IP65/IP54
Protection against dust and water jets from any angle (2.5mm nozzle) from the front. Protection against limited dust and water spray from any angle from the rear.



Safety Class
Class 1 Safety: chassis is connected to earth with a separate terminal, instead of via the mains cable



Warranty
5 year Guarantee