

Reach Q-Sky

Recessed

The Reach Q-Sky luminaire, has been designed for areas with little or no natural daylight, by creating the illusion of a skylight, helping to eliminate cave like environments. Supplied as a single unit, with various vinyl options, luminaires can be grouped to form larger skylights.

- Available in 3 standard vinyl's: Sky, SkyTree, SkyLeaf*
- Designed for 15 or 25mm exposed T ceilings as standard.
- Colour temperatures: 3000°k or 4000°k as standard.
- Colour Finishes: White (9016) as standard.
- Dimming options: DALI/ Dip Switch.
- Wireless control options: Casambi. In remote housing
- Emergency options: Not Available

Technical

Product	Reach Q-Sky
Mounting type	Recessed
Lumens	1632 - 4080 Lm
Colour Temperature	Warm White (3K) Neutral White (4K)
Optics	Sky SkyTree SkyLeaf Custom*
Control	DALI, Casambi, Fixed Output
Emergency	Not Available
Rendering	Ra80
IP Rating	IP40**
Safety Class	Class 1
MacAdam	SDCM 4
L70/B10	>50K

* Custom vinyl's available on request, Please contact P&A Technical Department for assistance

**IP40 for panel only, IP20 for all Remote drivers.

P&A Reach Q-Sky

Luminaire Order Builder

Reach Q-Sky

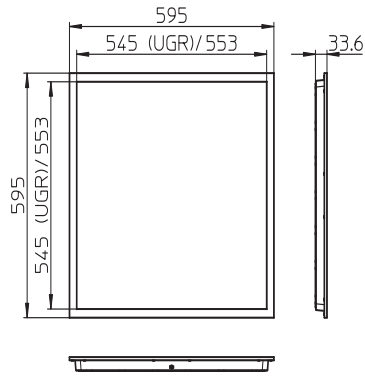
STEP 1. Select Current	STEP 2. CCT	STEP 3. Optics	STEP 4. Control	STEP 5. Finish	STEP 6. Emergency
30 300mA 1632 Lm - 16W	3K 3000K	SV1 Single Luminaire Sky Vinyl	FO Fixed Output	W RAL9016	- Not Available
35 350mA 1904 Lm - 18.5W	4K 4000K	SV2 Twin Luminaires Sky Vinyl	A1 DALI Dip Switch		
40 400mA 2176 Lm - 21.5W		SV3 Triple Luminaires Sky Vinyl	A5 Casambi		
45 450mA 2448 Lm - 24W		SV4 Quadruple Luminaires Sky Vinyl			
50 500mA 2720 Lm - 27W		ST1 Single Luminaire SkyTree Vinyl			
55 500mA 2992 Lm - 29.5W		ST2 Twin Luminaires SkyTree Vinyl			
60 600mA 3264 Lm - 32W		ST3 Triple Luminaires SkyTree Vinyl			
65 650mA 3536 Lm - 35W		ST4 Quadruple Luminaires SkyTree Vinyl			
70 700mA 3808 Lm - 36W		SL1 Single Luminaire SkyLeaf Vinyl			
75 750mA 4080 Lm - 38W		SL2 Twin Luminaires SkyLeaf Vinyl			
		SL3 Triple Luminaires SkyLeaf Vinyl			
		SL4 Quadruple Luminaires SkyLeaf Vinyl			
		Z Custom			

All electrical and optical data subject to $\pm 10\%$ tolerances.
 Values based on 4000K Colour temperature & Sky Vinyl
 Lumen outputs based on a single luminaire, For twin, triple & Quadruple luminaires please multiply this base figure.

Example Code: QSKY254KSVIFOW



P&A Reach Q-Sky



Dimensions

L	W	H	Finish	Code	Colour Swatch
595	595	33.6	White	9016M	

All dimensions are measured in millimetres (mm)

Finish

Luminaire images/arrangements

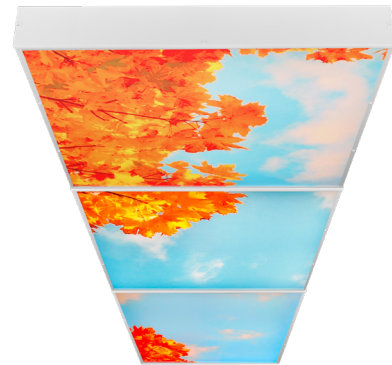
Single Luminaire

Sky vinyl example shown (SV1)



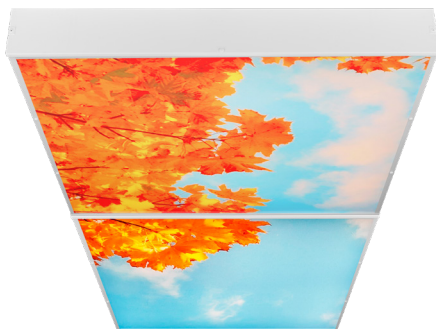
Triple Luminaire

Sky vinyl example shown (SV1 & SV2 & SV3)



Twin Luminaire

Sky vinyl example shown (SV1 & SV2)



Quadruple Luminaire

Sky vinyl example shown (SV1 & SV2 & SV3 & SV4)



IP20
Protection of fingers against access to hazardous parts, and protection against objects larger than 12.5mm



Safety Class Class 1
Safety chassis is connected to earth with a separate terminal, instead of via the mains cable



Warranty
5 year Guarantee



Crown House, Plantation Rd, Burscough, Lancashire, L40 8JT
01704 891333
sales@pandaprojects.co.uk
www.pandaprojects.co.uk

Datasheet Code: PA-10023-0

CE BS EN60598-1:2015
ISO 9001 Certification

MADE IN BRITAIN