

SAS330

Recessed

SAS330 is a recessed office luminaire, designed for installation into a SAS 330 ceiling.

- Efficacy of up to 120 lm/W
- LG7 Compliant, UGR<19 when used with microprism diffuser.
- Colour temperatures: 3000°k, 4000°k.
- Colour Finishes: White (9016) as standard, Other RAL colours available upon request.
- Dimming options: DALI 1-100% Dim, DSI, Switch Dim, 1-10v.
- Wireless control options: Casambi.
- Emergency options: Standard 3hr, Self-Test or Dali addressable, 3hr Dali Wireless Sentinel.

Technical

Product	SAS330
Mounting type	Recessed
Lumens	4726 - 6617 Lm
Efficacy	Up to 120 lm/W
Colour Temperature	Warm White (3K) Neutral White (4K)
Optics	Opal diffuser Microprism (UGR<19)
Control	DALI 1-100%, DSI, 1-10V, Casambi, Fixed Output
Emergency	3 hour, DALI, Self-Test, DALI Wireless Sentinel
Rendering	Ra80
IP Rating	IP20
Safety Class	Class 1
MacAdam	SDCM 2
L70/B10	>75K

PA SAS330

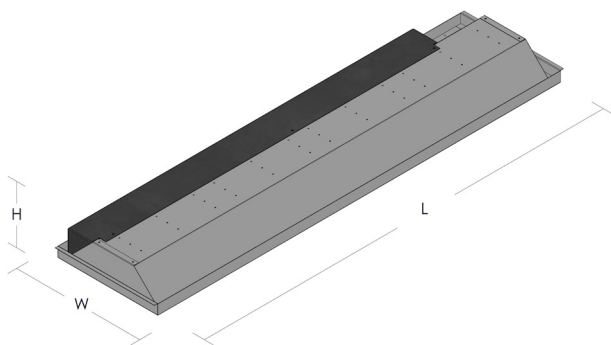
Luminaire Order Builder

SAS330

STEP 1. Current	STEP 2. Optics	STEP 3. CCT	STEP 4. Control	STEP 5. Finish	STEP 6. Emergency
25 250mA 4726 Lm - 39.3W 35 350mA 6617 Lm - 55W	O Opal Diffuser M Microprism UGR19	3K 3000K 4K 4000K	FO Fixed Output A1 DALI 1-100% Dim A2 DSI A3 Switch Dim A4 1-10v A5 Casambi	W RAL9016M Z Custom	E3 Standard 3 Hour ED DALI/EMPRO ES Self-Test EW 3 hour DALI Wireless Sentinel

All electrical and optical data subject to $\pm 10\%$ tolerances. Values based on 4000K Colour temperature.

Example Code: SAS3302503KAIWE3



Dimensions

L	W	H	Finish	Code	Colour Swatch
1195	295	75	White	9016M	
			Custom*	Custom*	

All dimensions are measured in millimetres (mm)

*Custom Colours upon request



IP20
 Protection of fingers against access to hazardous parts, and protection against objects larger than 12.5mm



Safety Class
 Class 1 Safety: chassis is connected to earth with a separate terminal, instead of via the mains cable



Warranty
 5 year Guarantee



Crown House, Plantation Rd, Burscough, Lancashire, L40 8JT
 01704 891333
 sales@pandaprojects.co.uk
 www.pandaprojects.co.uk

Datasheet Code: PA-10126-0

