

Space 2

Surface

Space 2 is a contemporary surface mounted luminaire with a streamlined appearance, creates a perfect finish to modern offices. Available in various optics and outputs, to suit your needs. Supplied in Direct as standard.

- Efficacy of up to 106 lm/W
- LG7 Compliant, UGR<19 when used with microprism diffuser.
- Colour temperatures: 3000°k, 4000°k.
- Colour Finishes: White (9016) as standard. Other RAL colours, available on request.
- Can be continuously mounted with infill sections
- Dimming options: DALI 1-100% Dim, DSI, Switch Dim, 1-10v.
- Wireless control options: Casambi.
- Options: PIR sensor.
- Emergency options: Standard 3hr, Self-Test or Dali addressable, 3Hr Dali Wireless Sentinel.

Technical

Product	Space 2
Mounting type	Surface
Standard Lengths	650mm
	1200mm
	1500mm
Lumen	1157 - 4338 Lm
Efficacy	Up to 106 lm/W
Colour Temperature	Warm White (3K)
	Neutral White (4K)
Optics	Opal diffuser
	Microprism (UGR<19)
Control	DALI 1-100%, DSI, 1-10V, Casambi, Fixed output
Emergency	3 hour, DALI, Self-Test, DALI Wireless Sentinel
Rendering	Ra80+
IP Rating	IP20
Safety Class	Class 1
MacAdam	SDCM 2
L70/B10	>75K

P&A Space 2

Luminaire Order Builder

Space2-SF-6 (650mm)

STEP 1. Select Current	STEP 2. Optics	STEP 3. CCT	STEP 4. Control	STEP 5. Finish	STEP 6. Options	STEP 7. Emergency
30 300mA 1157 Lm - 11.5W	O Opal Diffuser	3K 3000K	FO Fixed Output	W RAL9016M	PIR Passive Infrared sensor	E3 Standard 3 Hour
35 350mA 1349 Lm - 13.5W	M Microprism UGR<19	4K 4000K	A1 DALI 1-100% Dim	B RAL9005		ED DALI/EMPRO
40 400mA 1542 Lm - 15.4W			A2 DSI	S RAL9006		ES Self-Test
45 450mA 1735 Lm - 17.3W			A3 Switch Dim	Z Custom		EW 3 hour DALI Wireless Sentinel
50 500mA 1919 Lm - 18W			A4 1-10v			
			A5 Casambi			

All electrical and optical data subject to $\pm 10\%$ tolerances.
Values based on 4000K Colour temperature.

Example Code: SPACE2SF650DM4KA1WEW

Space2-SF-12 (1200mm)

STEP 1. Select Current	STEP 2. Optics	STEP 3. CCT	STEP 4. Control	STEP 5. Finish	STEP 6. Options	STEP 7. Emergency
20 200mA 1542 Lm - 15.9W	O Opal Diffuser	3K 3000K	FO Fixed Output	W RAL9016M	PIR Passive Infrared sensor	E3 Standard 3 Hour
25 250mA 1928 Lm - 19.9W	M Microprism UGR<19	4K 4000K	A1 DALI 1-100% Dim	B RAL9005		ED DALI/EMPRO
30 300mA 2313 Lm - 23.9W			A2 DSI	S RAL9006		ES Self-Test
35 350mA 2699 Lm - 27.8W			A3 Switch Dim	Z Custom		EW 3 hour DALI Wireless Sentinel
40 400mA 3084 Lm - 31.8W			A4 1-10v			
45 450mA 3470 Lm - 35.8W			A5 Casambi			

All electrical and optical data subject to $\pm 10\%$ tolerances.
Values based on 4000K Colour temperature.

Example Code: SPACE2SF1220DO4KA1WE3



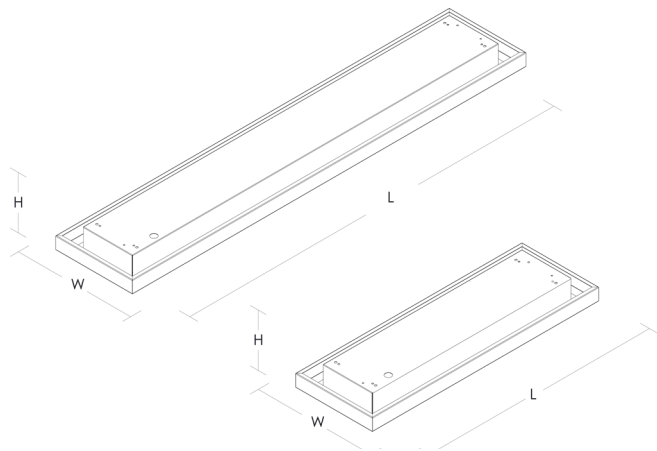
P&A Space 2

Space2-SF-15 (1500mm)

STEP 1. Select Current	STEP 2. Optics	STEP 3. CCT	STEP 4. Control	STEP 5. Finish	STEP 6. Options	STEP 7. Emergency
20 200mA 1928 Lm-19.2W	O Opal Diffuser	3K 3000K	FO Fixed Output	W RAL9016M	PIR Passive Infrared sensor	E3 Standard 3 Hour
25 250mA 2410 Lm- 24W	M Microprism UGR<19	4K 4000K	A1 DALI 1-100% Dim	B RAL9005		ED DALI/EMPRO
30 300mA 2892 Lm - 28.8W			A2 DSI	S RAL9006		ES Self-Test
35 350mA 3374 Lm - 33.6W			A3 Switch Dim	Z Custom		EW 3 hour DALI Wireless Sentinel
40 400mA 3856 Lm -38.4W			A4 1-10v			
45 450mA 4338 Lm - 43.3W			A5 Casambi			

All electrical and optical data subject to ±10% tolerances.
Values based on 4000K Colour temperature.

Example Code: SPACE2SF1540DO4KA1WPIRE3



Dimensions

L	W	H	Finish	Code	Colour Swatch
650	250	65	White	9016	
1280	250	65	Black	9005	
1588	250	65	Silver	9006	
			Custom*	Custom*	

All dimensions are measured in millimetres (mm)

*Custom Colours upon request



Crown House, Plantation Rd, Burscough, Lancashire, L40 8JT
01704 891333
sales@pandaprojects.co.uk
www.pandaprojects.co.uk

Datasheet Code: PA-10301-0

