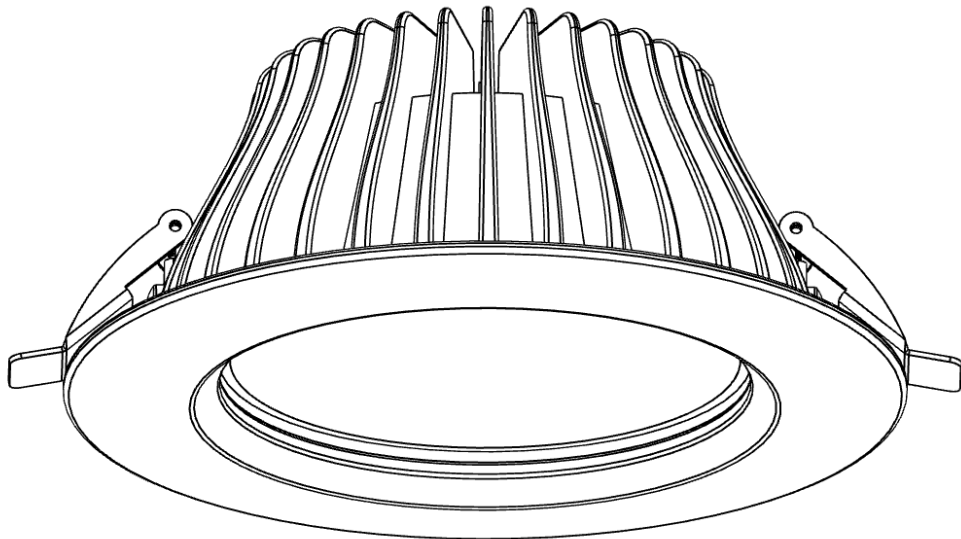


ASTREO M

Recessed Downlight



P&A

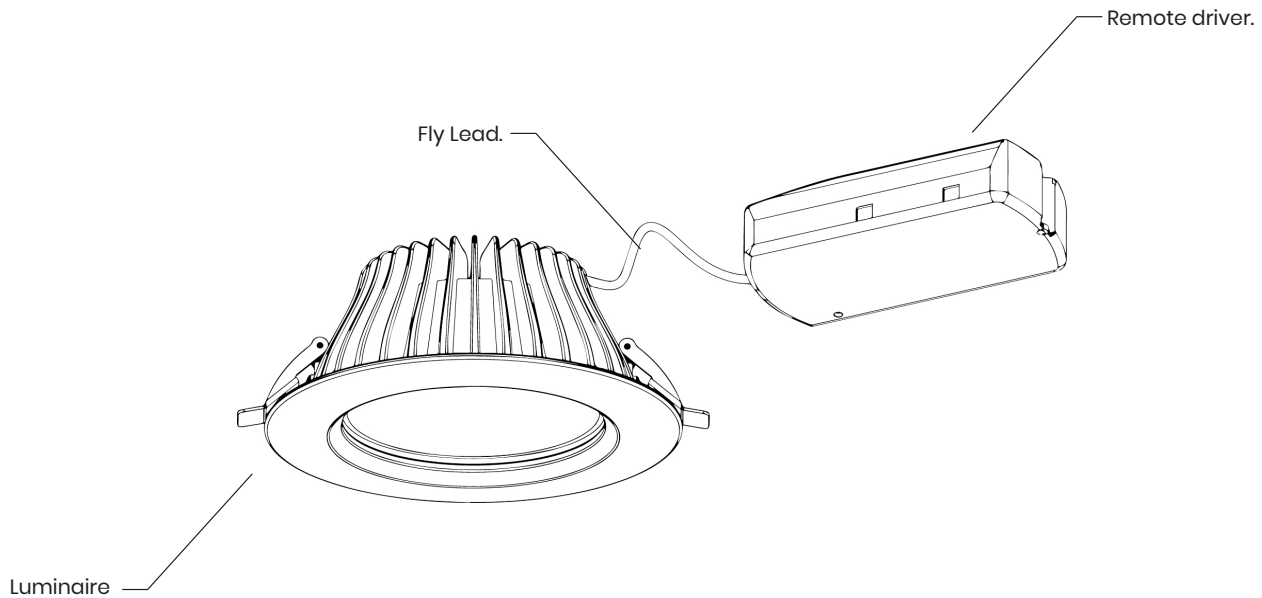
Astreo M

As Standard

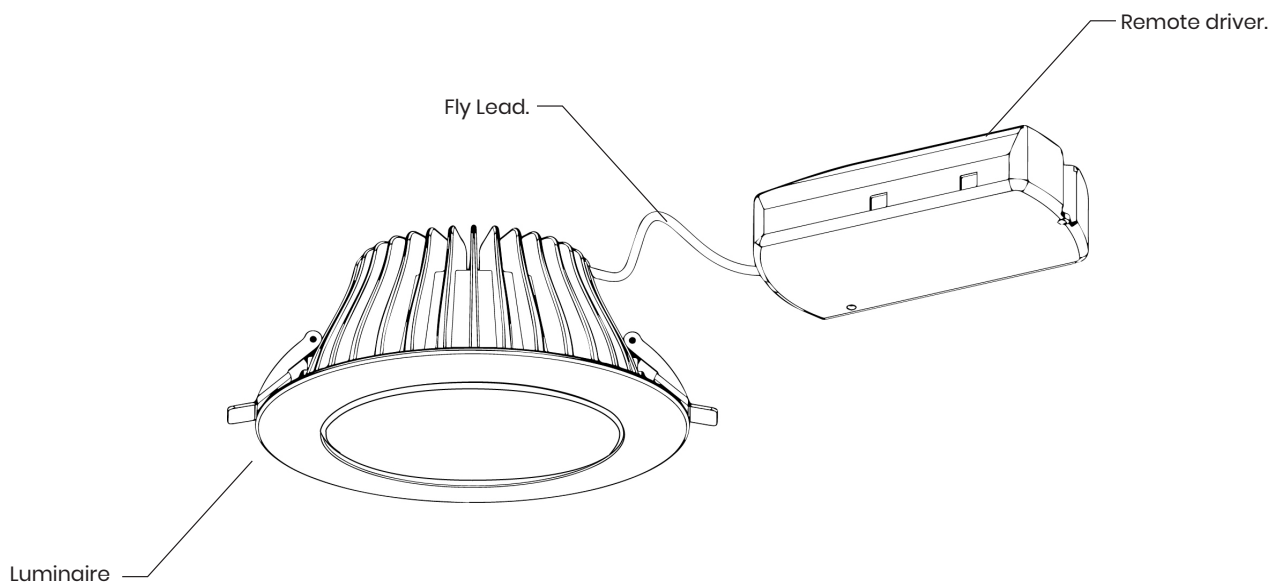
- Remote driver.
- Remote Gear box (emergency versions only).
- Luminaire (Including finio if ordered).
- Fly lead.
- Please check thoroughly before installing and report any missing components.

Recommendations

- Recommended void depth 100mm.
- Minimum void depth 85mm.
- Do not cover rear of luminaire with any insulation materials.



Diamond Facet & Specular reflector versions

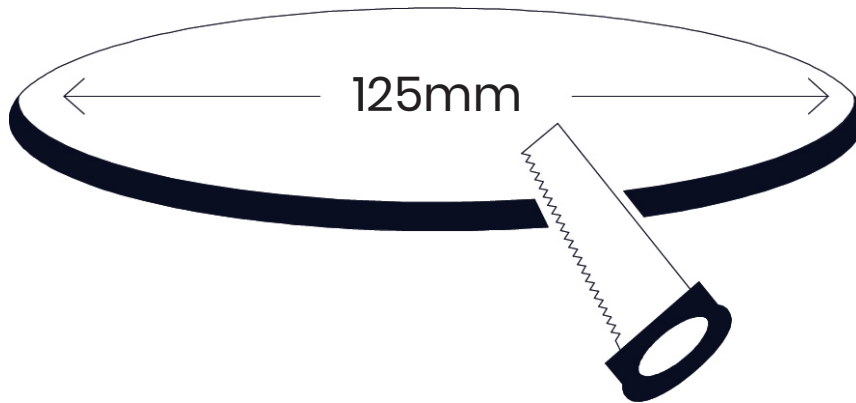


Flush and Opal Dome versions

Astreo M

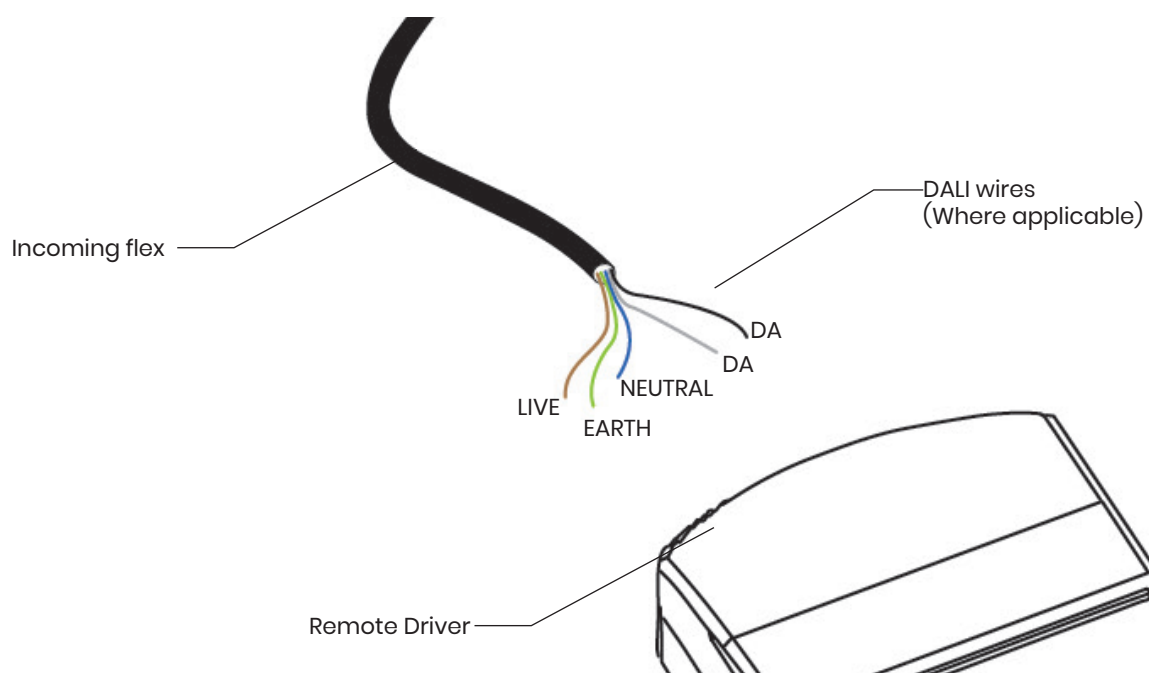
1

Please cut-out 125mm diameter hole in desired surface. Please ensure void depth is 100mm (Recommended) or 85mm (Minimum).



2

Feed Incoming supply (provided by others) through ceiling cut-out and connect into driver (See pages 6-8 for all wiring diagrams).

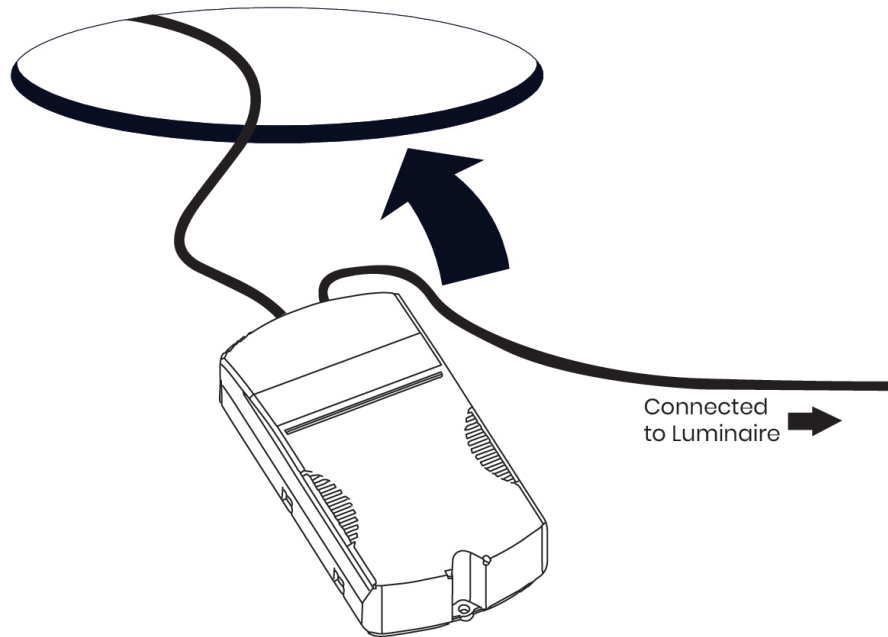


3

Astreo M

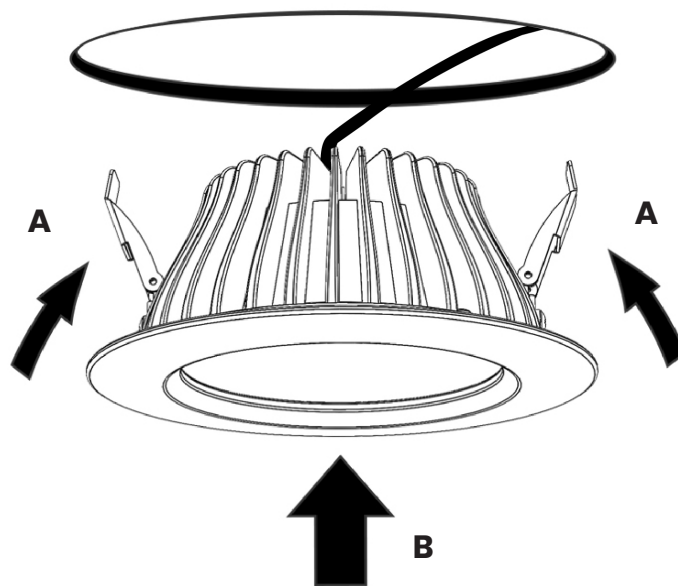
3

Feed driver or driver gear box through ceiling cut out.



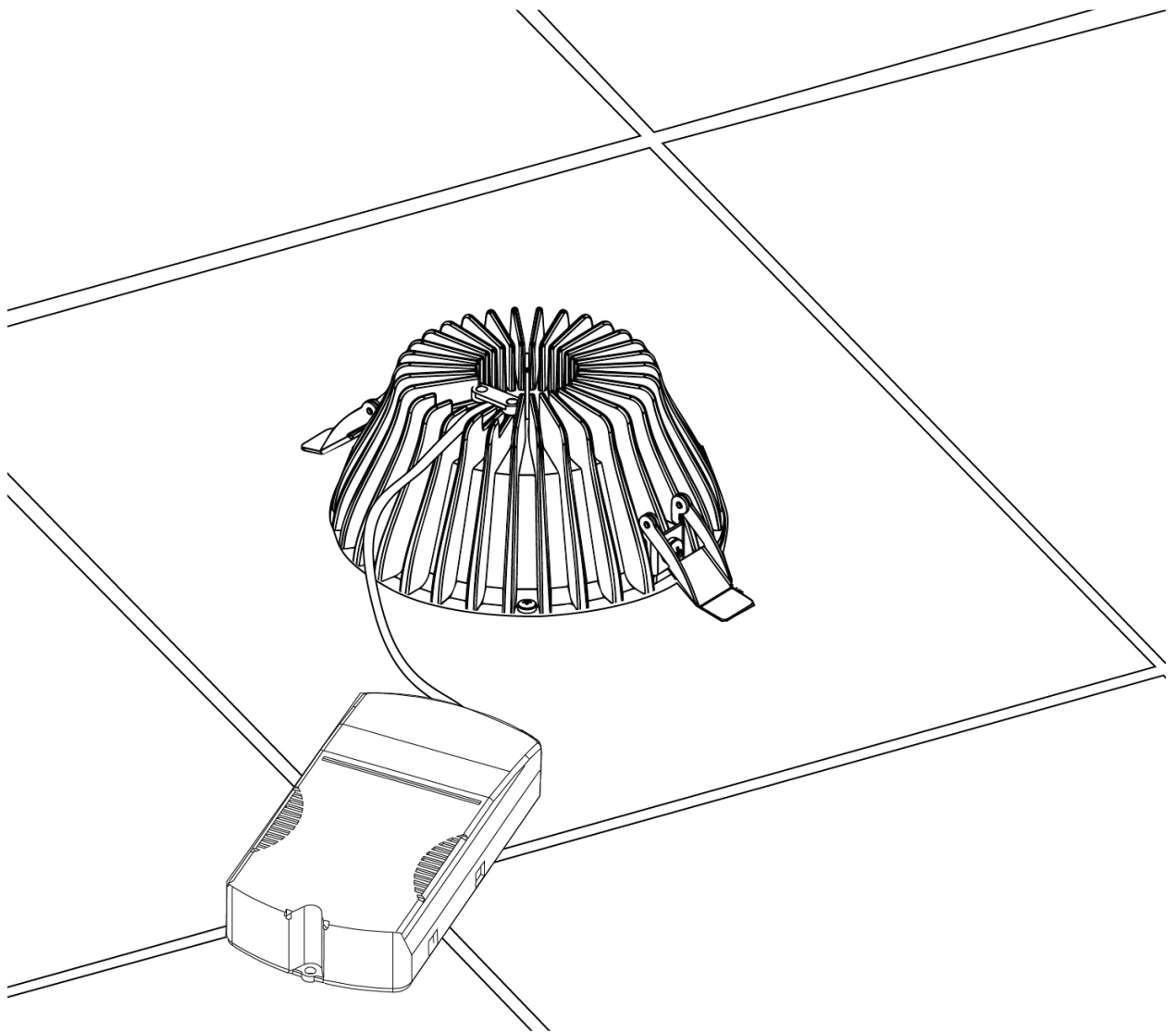
4

Offer up Astreo M luminaire to ceiling. **A** push/fold 2 x springs backward, **B** Push luminaire through ceiling cutout, please ensure all springs are evenly pushed through.



5

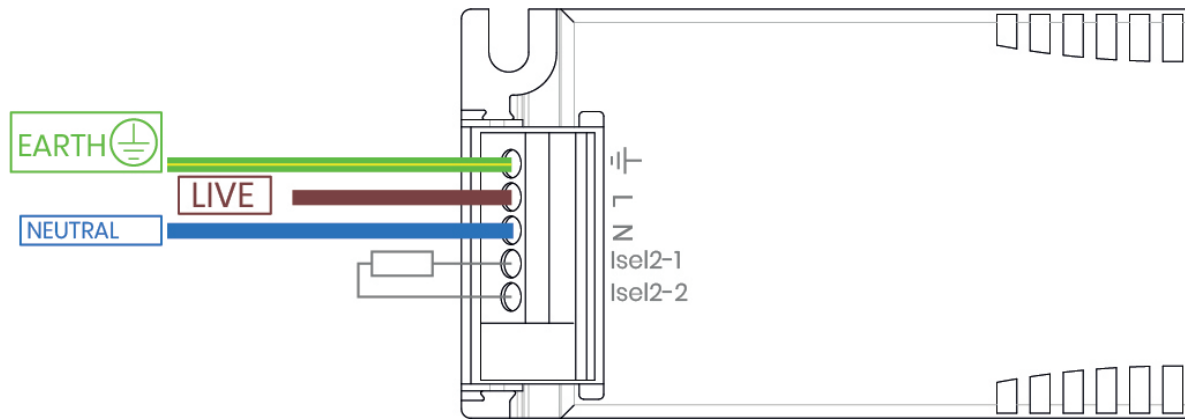
Complete installation (Rear view).



Astreo M

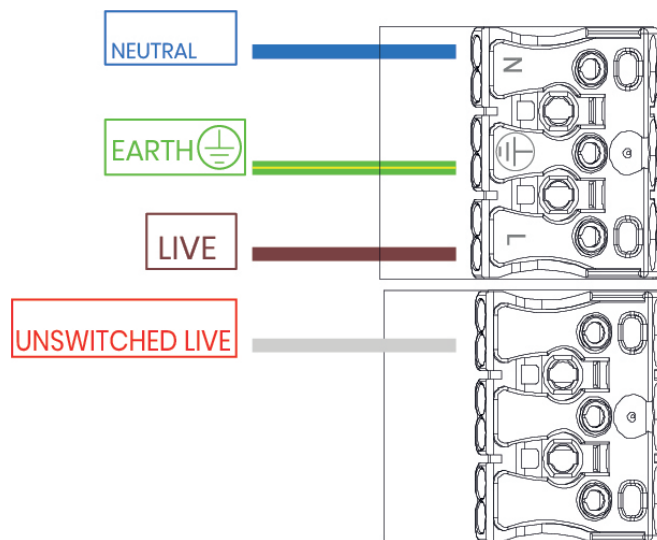
A Fixed Output.

- Earth
- Live
- Neutral



B Fixed Output Emergency Wiring.

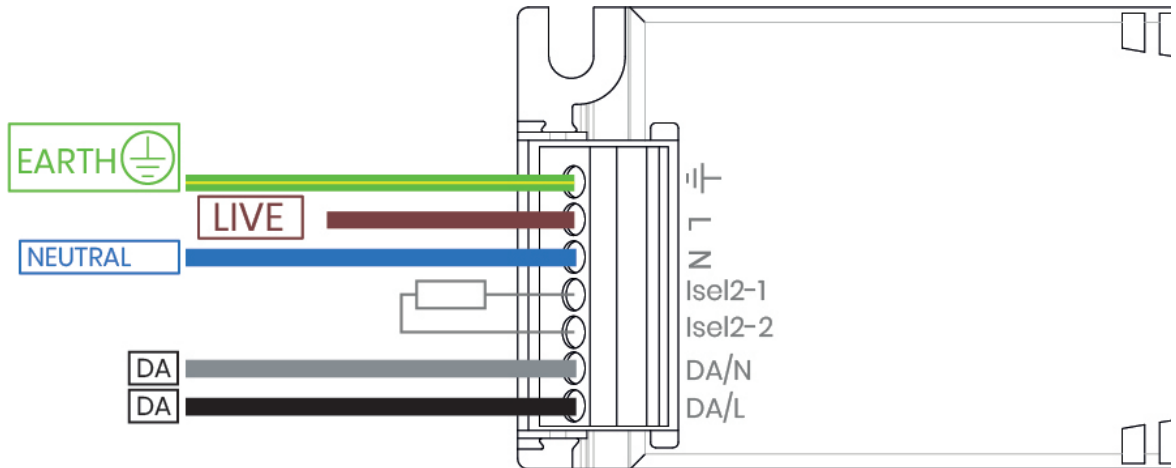
- Neutral
- Earth
- Live
- Unswitched Live



Astreo M

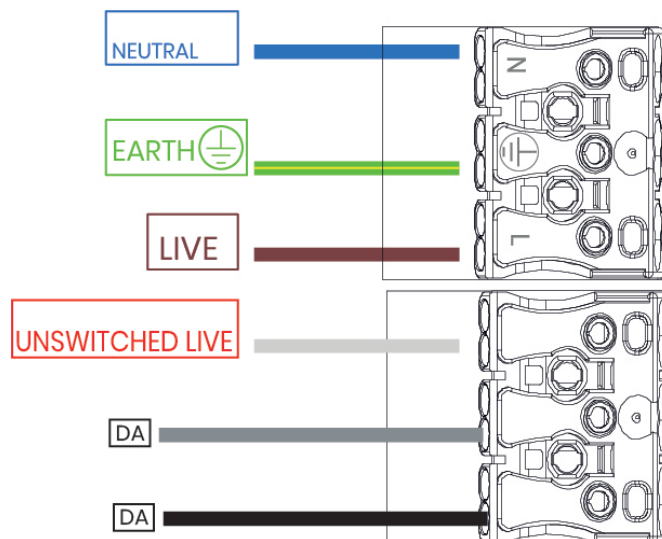
C DALI Wiring.

- Earth
- Live
- Neutral
- DALI
- DALI



D DALI Emergency Wiring.

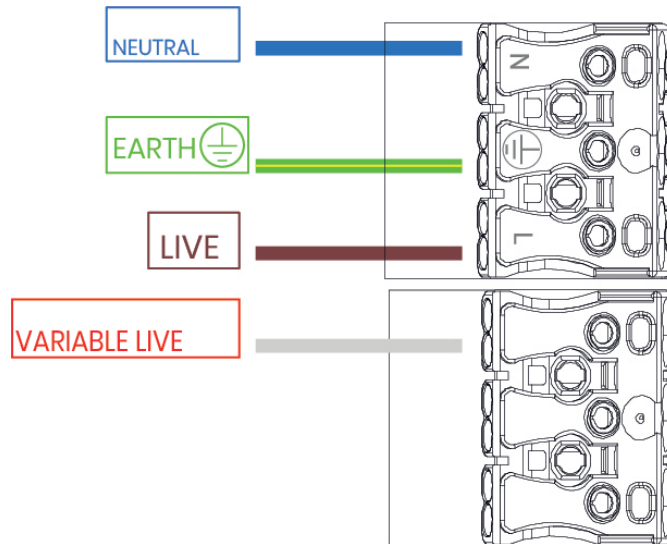
- Neutral
- Earth
- Live
- Unswitched Live
- DALI
- DALI



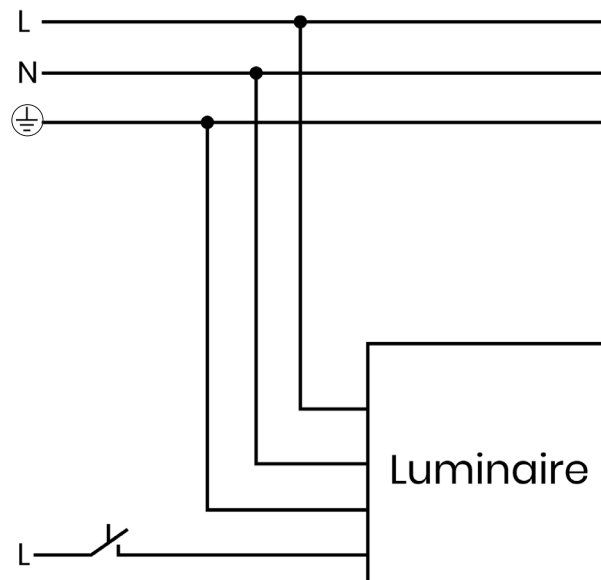
Astreo M

E SwitchDIM Wiring.

- Neutral
- Earth
- Live
- Variable Live



Example switchDIM circuit
220-240 V
0/50/60 Hz



NOTES

NOTES

NOTES

Astreo M

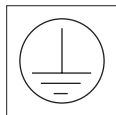
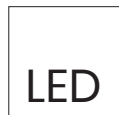
Safety

- This luminaire should be installed by a qualified electrician in compliance with IEE regulations.
- Please ensure mains supply to luminaire is disconnected before installation or maintenance.
 - The light source contained in this luminaire shall only be replaced by the manufacturer or his service agent or a similar qualified person.

Ratings

- This luminaire is designed to operate at 230VAC
-6% +10% 216v to 252v.
DO NOT OPERATE OUTSIDE THIS RANGE.
- This luminaire is only suitable for installation within its rated ingress Protection limits.

Subject to change without notice. Errors and omission excepted.
Always make sure to use the most recent release.



CROWN HOUSE, PLANTATION RD,
BURSCOUGH, LANCASHIRE. L40 8JT
01704 891 333
www.pandaprojects.co.uk