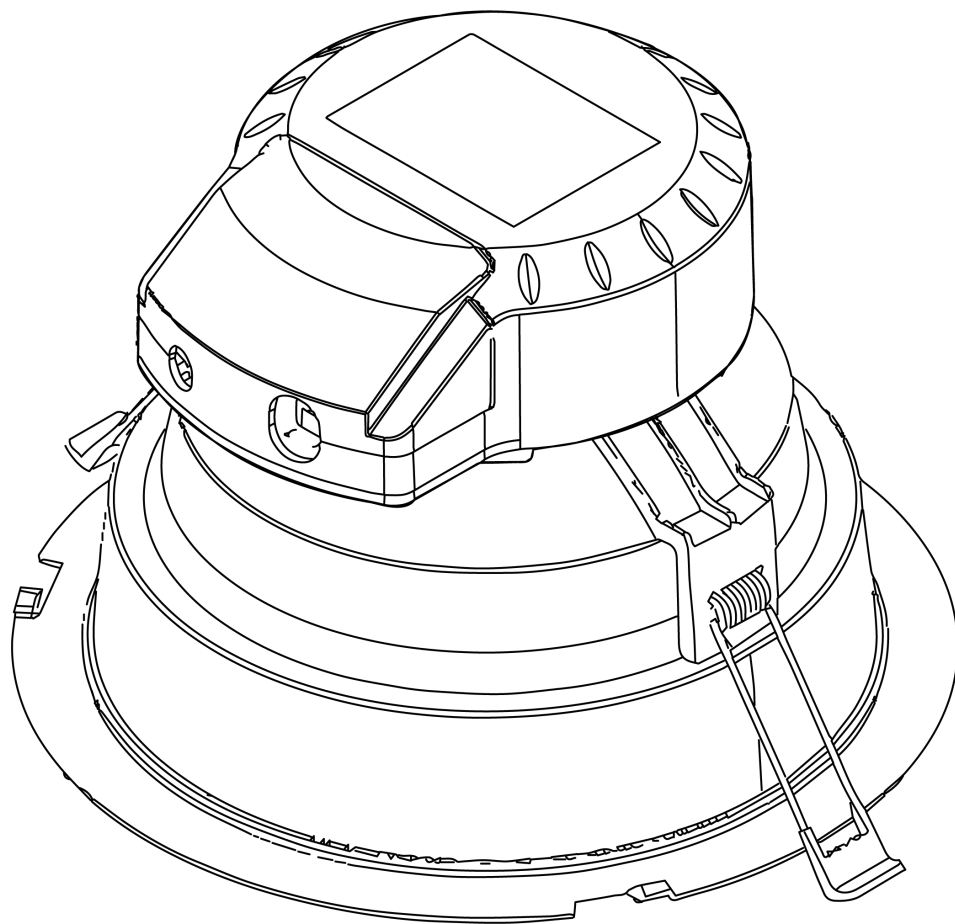


CDL

Cost Effective Downlight



P&A

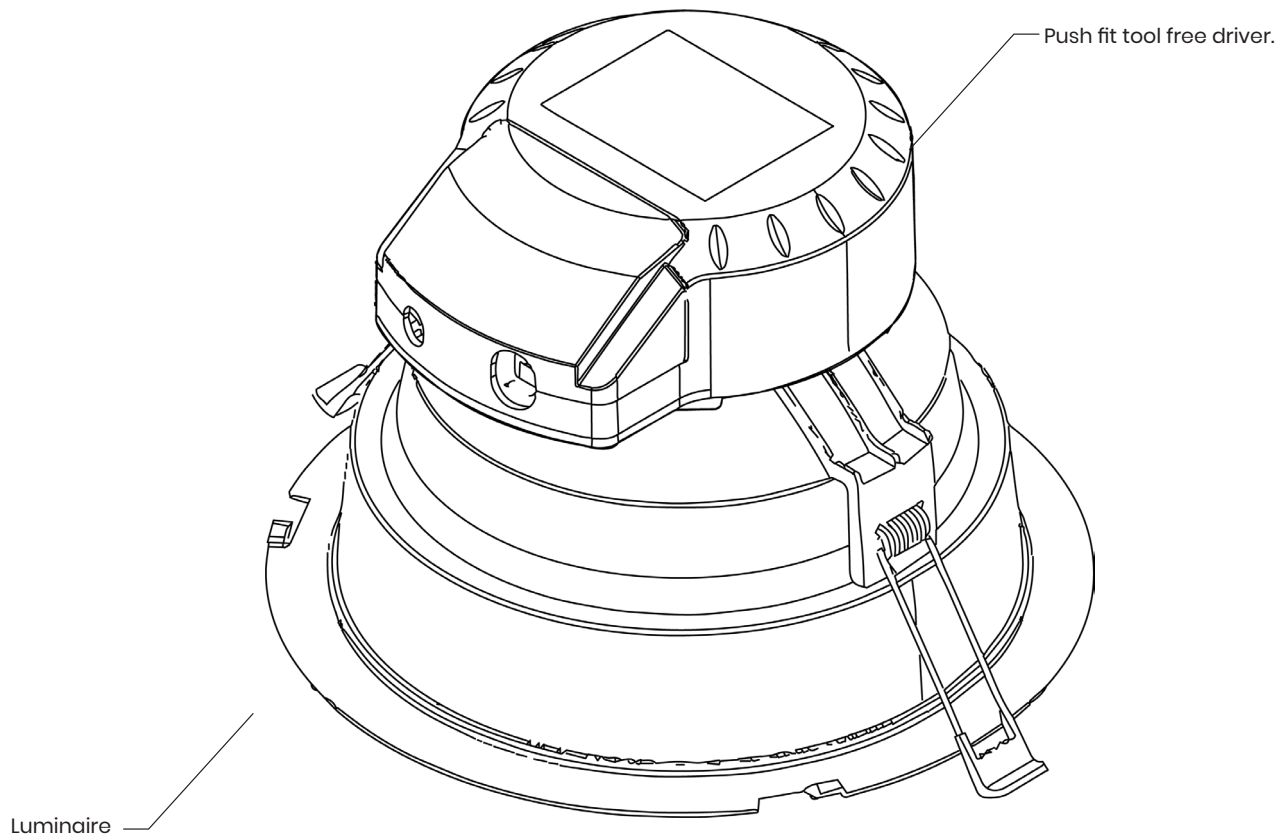
CDL

As Standard

- Push fit tool free driver.
- Emergency LED indicator (When ordered).
- Pre Installed Luminaire comprising of: Luminaire Module, Reflector & Trim Ring.
- Please check thoroughly before installing and report any missing components.

Recommendations

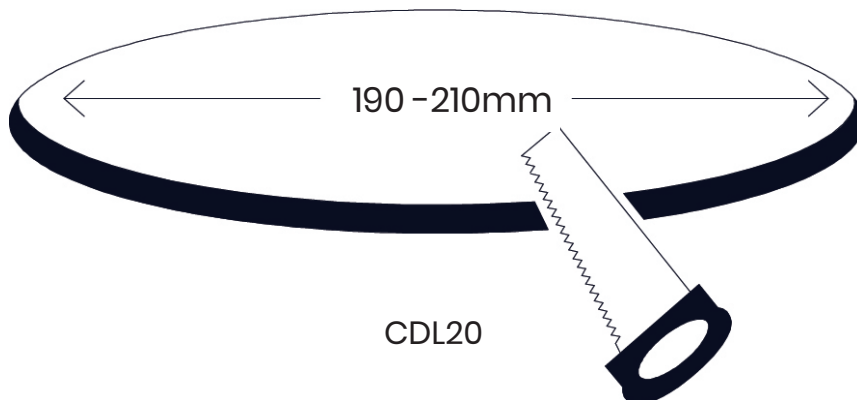
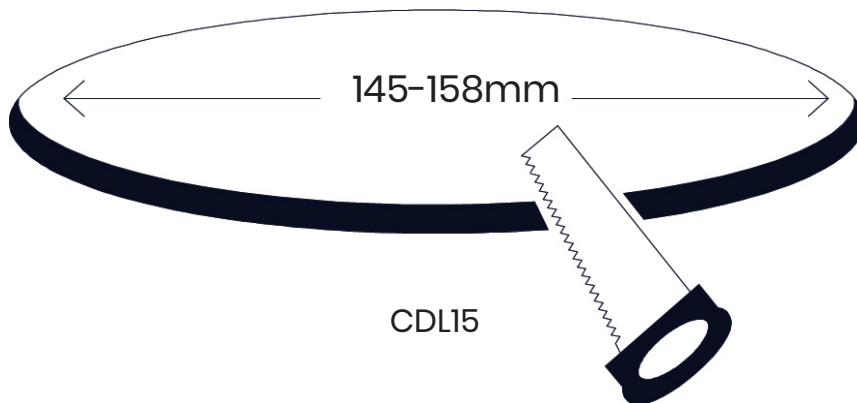
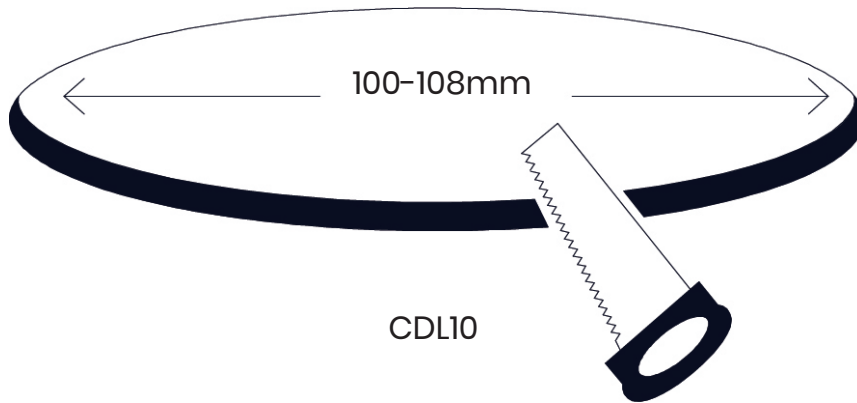
- Recommended void depth 200mm.
- Do not cover rear of luminaire with any insulation materials.



CDL

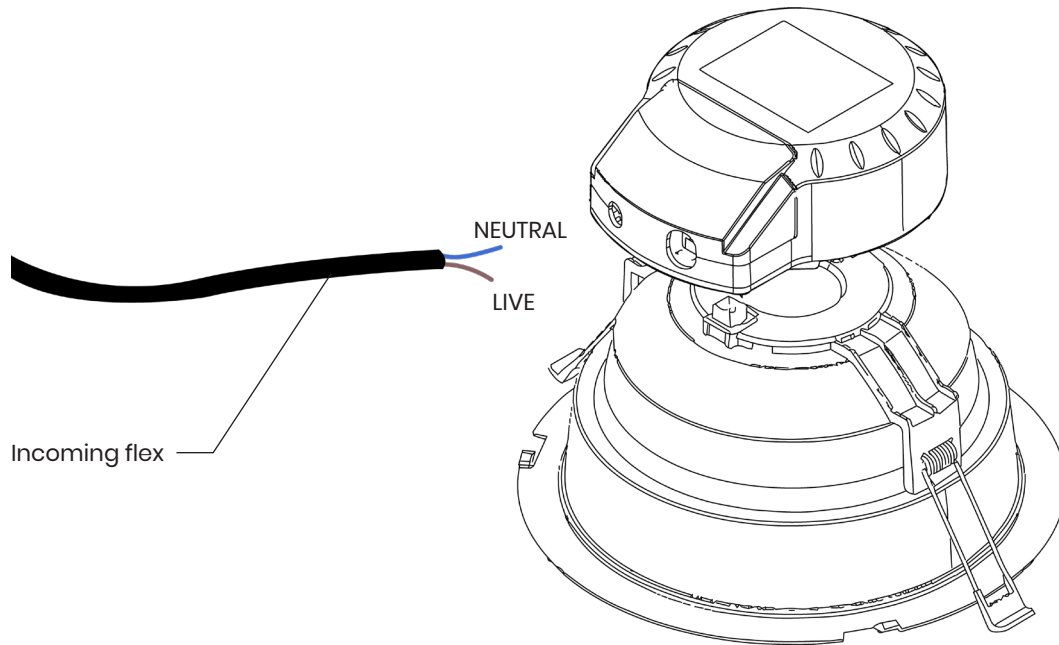
1

Please cut-out diameter hole in desired surface. Please ensure void depth is 200mm (Recommended).



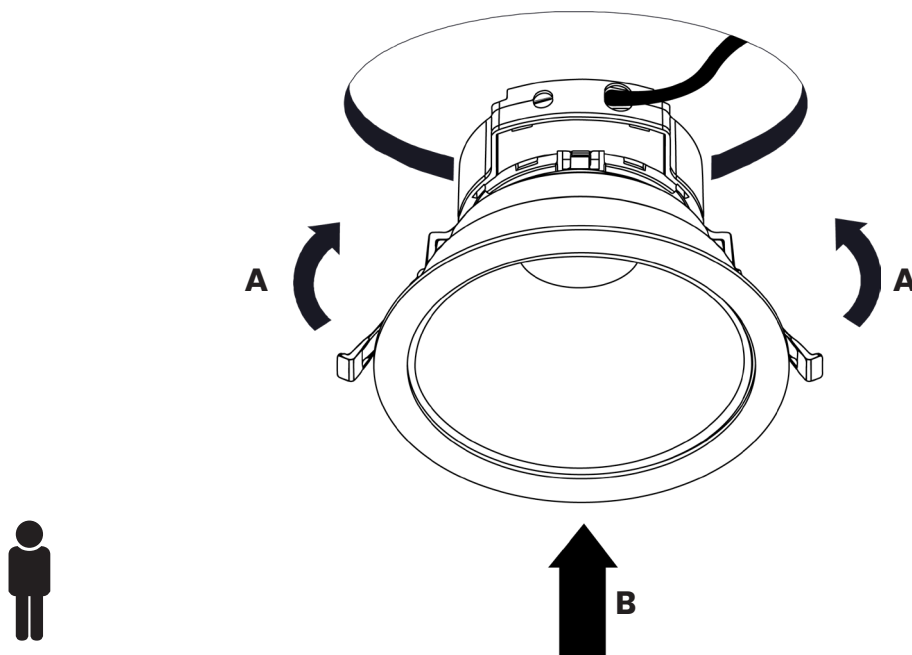
2

Feed Incoming supply (provided by others) through ceiling cut-out and connect into driver (See pages 7 for all wiring diagrams).

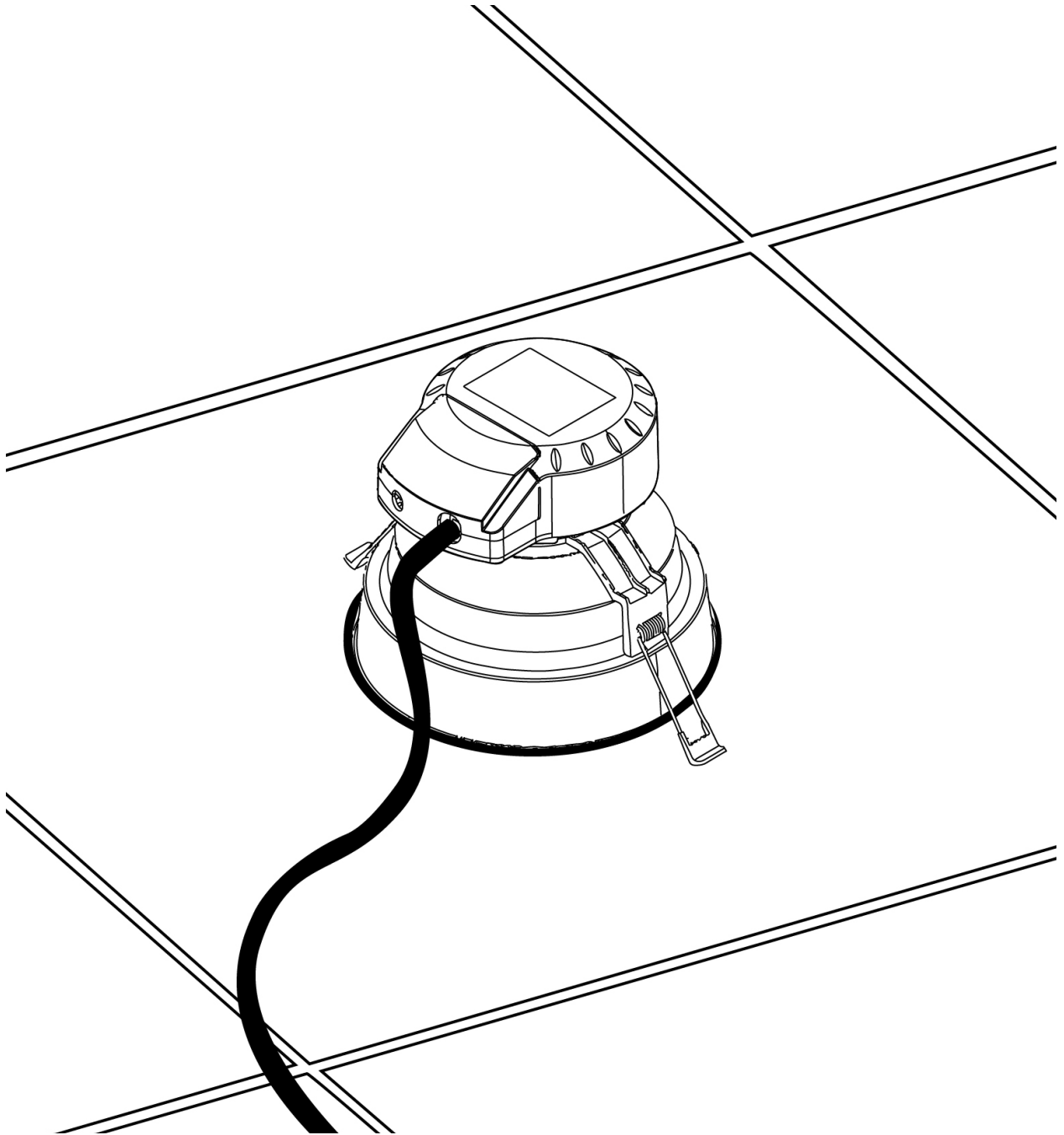


3

Offer up CDL luminaire to ceiling. **A.** push/fold 2 x springs backward, **B.** Push luminaire through ceiling cutout, please ensure all springs are evenly pushed through. Please ensure void depth is 200mm (Recommended).

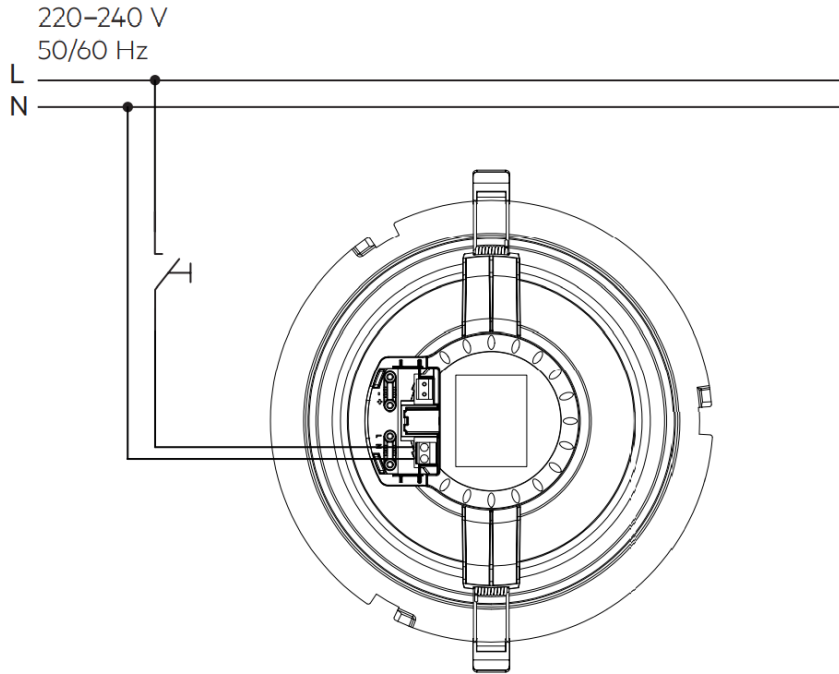


- 4** Complete installation (Rear view). Please ensure void depth is 200mm (Recommended).



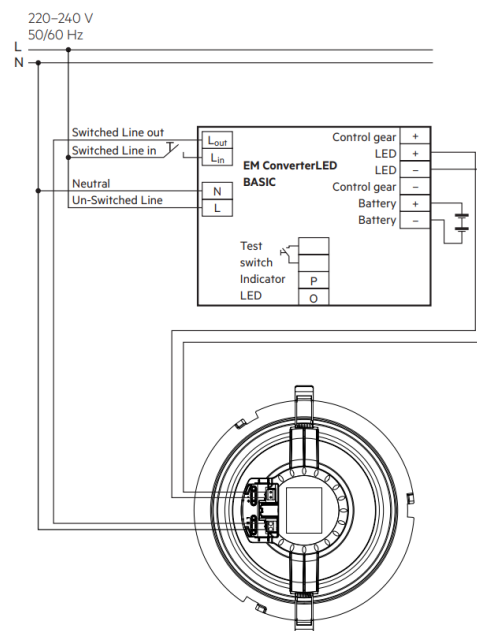
A Fixed Output.

- Live
- Neutral



B Fixed Output Emergency Wiring.

- Live
- Neutral
- Unswitched Live



NOTES

CDL

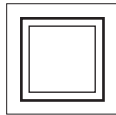
Safety

- This luminaire should be installed by a qualified electrician in compliance with IEE regulations.
- Please ensure mains supply to luminaire is disconnected before installation or maintenance.
 - The light source contained in this luminaire shall only be replaced by the manufacturer or his service agent or a similar qualified person.

Ratings

- This luminaire is designed to operate at 230VAC
-6% +10% 216v to 252v.
DO NOT OPERATE OUTSIDE THIS RANGE.
- This luminaire is only suitable for installation within its rated ingress Protection limits.

Subject to change without notice. Errors and omission excepted.
Always make sure to use the most recent release.



CROWN HOUSE, PLANTATION RD,
BURSCOUGH, LANCASHIRE. L40 8JT
01704 891 333
www.pandaprojects.co.uk