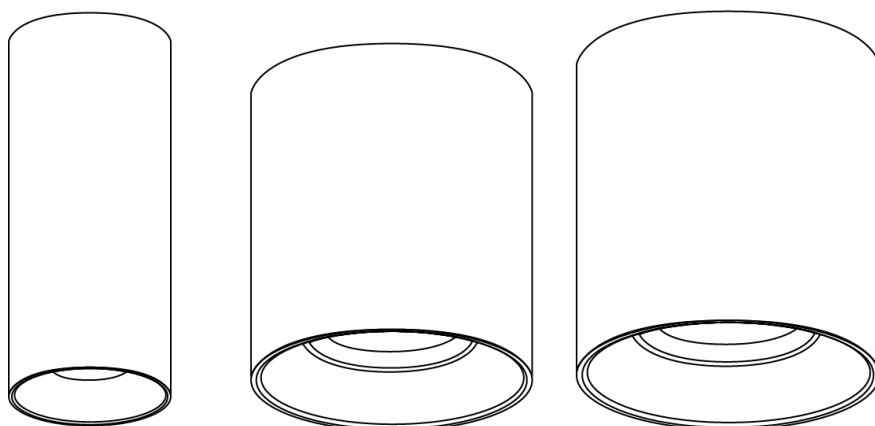
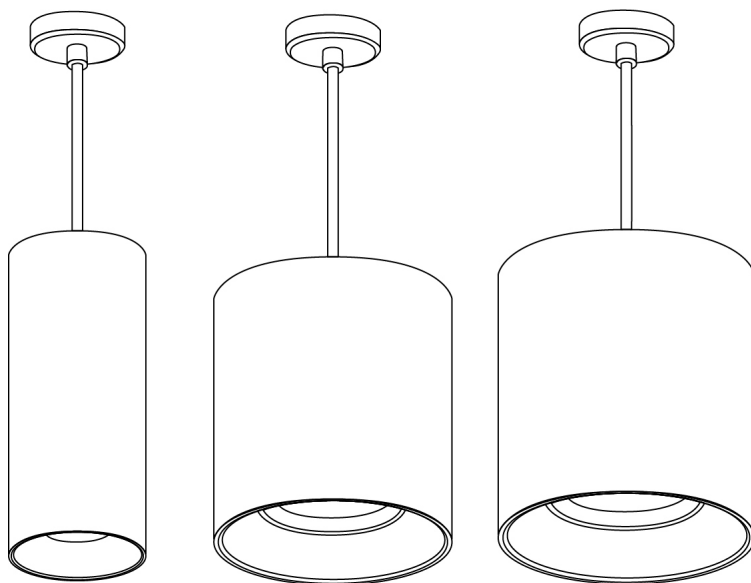


TL

90/ 120/ 200mmØ versions

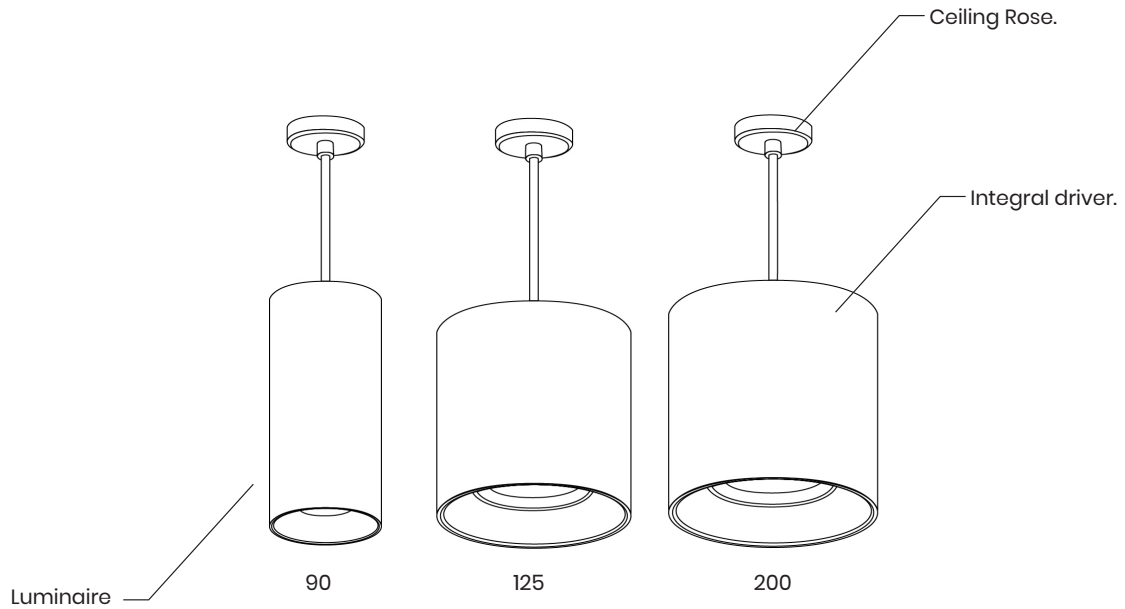
Suspended or Surface mounted
cylindrical downlight



P&A

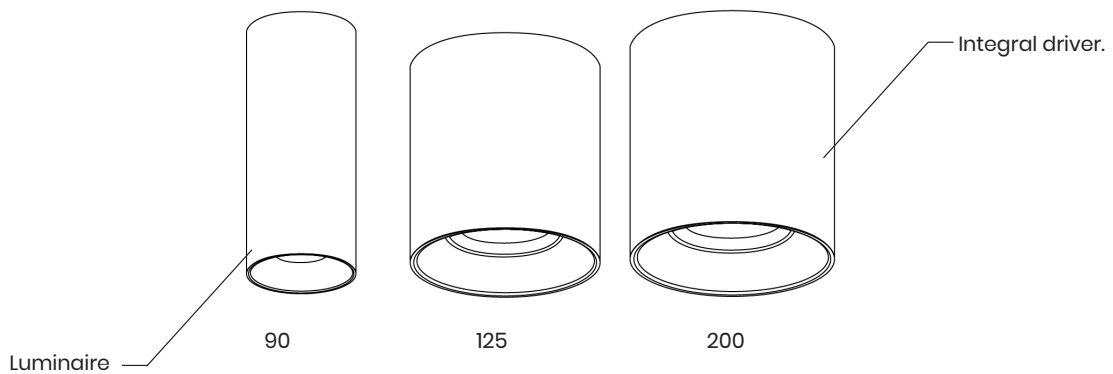
As Standard

- Integral driver.
- Ceiling Rose (When ordered).
- Luminaire supply, suspended version only (Length as per order).
- Please check thoroughly before installing and report any missing components.



TL 90/125/200 versions

Wire suspended
(See pages 3 - 6)

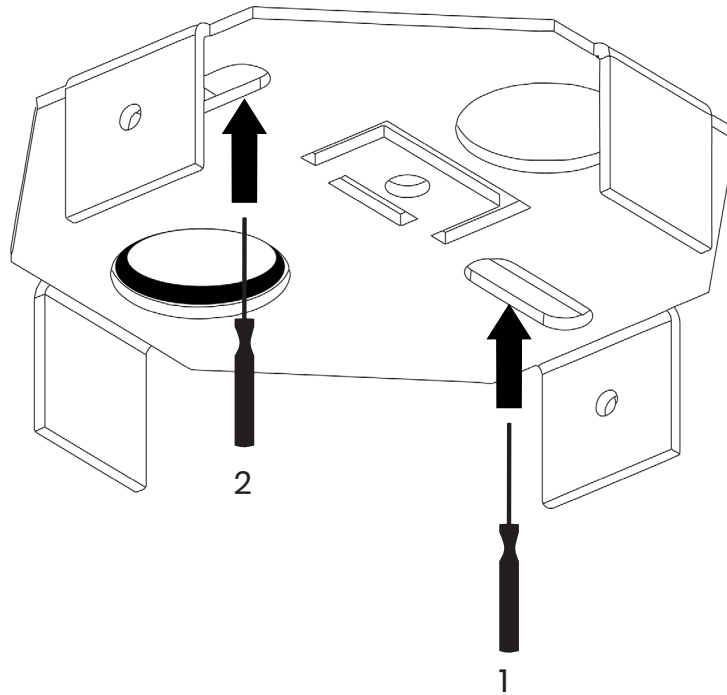


TL 90/125/200 versions

Surface mounted versions
(See pages 6 - 8)

1

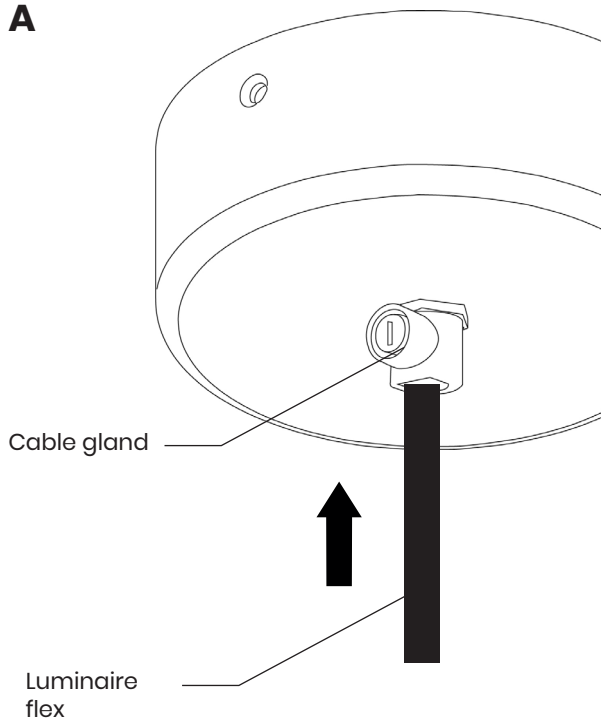
Install ceiling rose mounting bracket using appropriate (M5) fixings (Supplied by others).



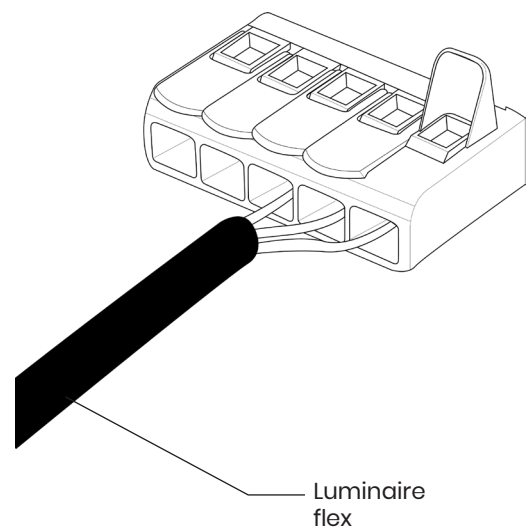
2

A. Feed luminaire flex (when supplied) through ceiling rose cable restraint and loosely fix in place using a flat headed screwdriver. **B.** Connect flex to pre supplied connector.

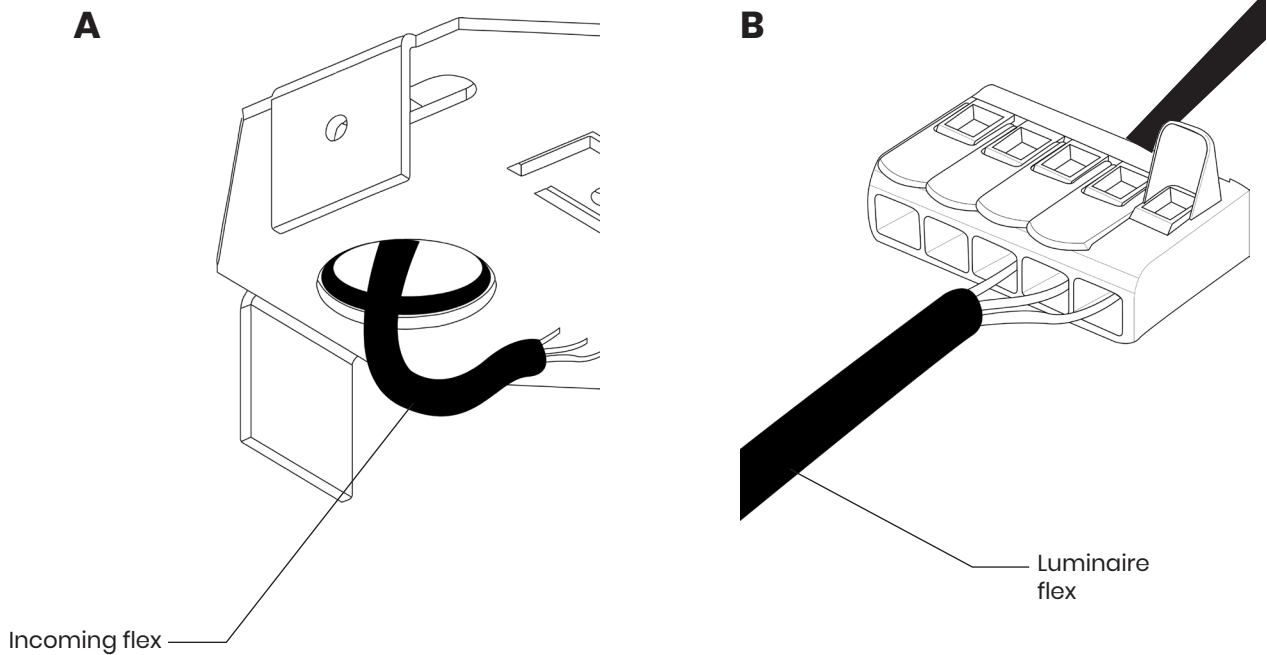
A



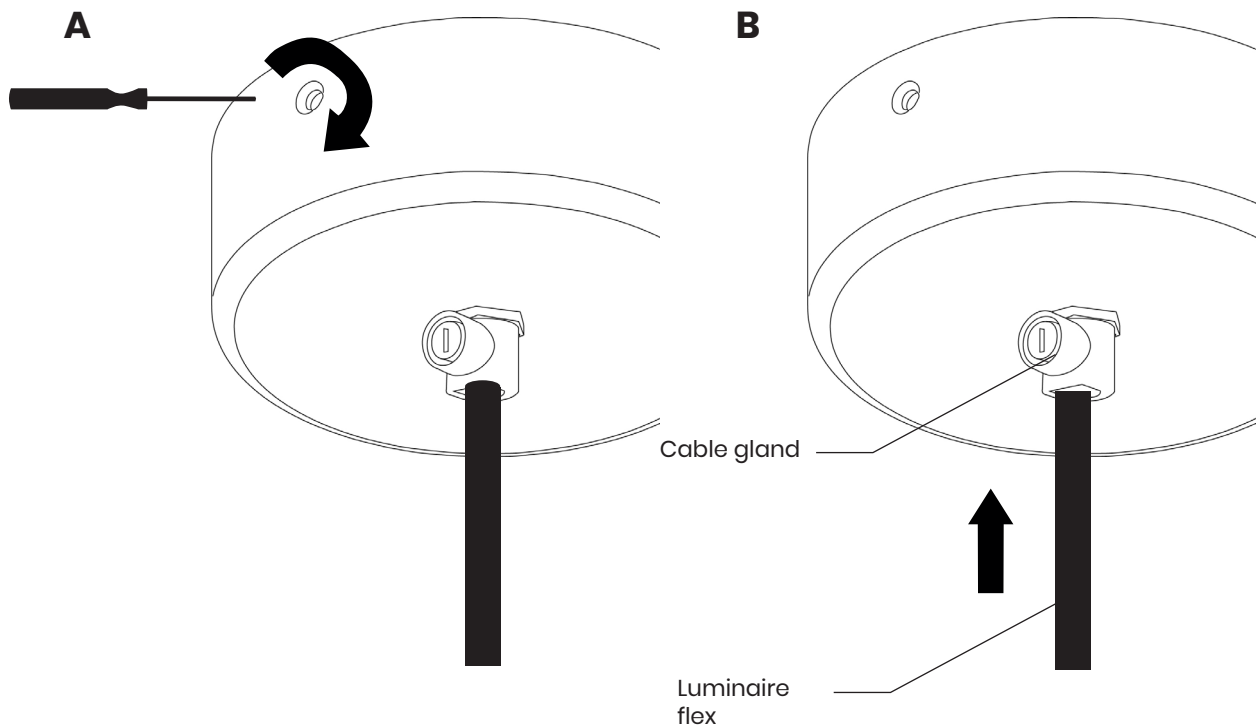
B



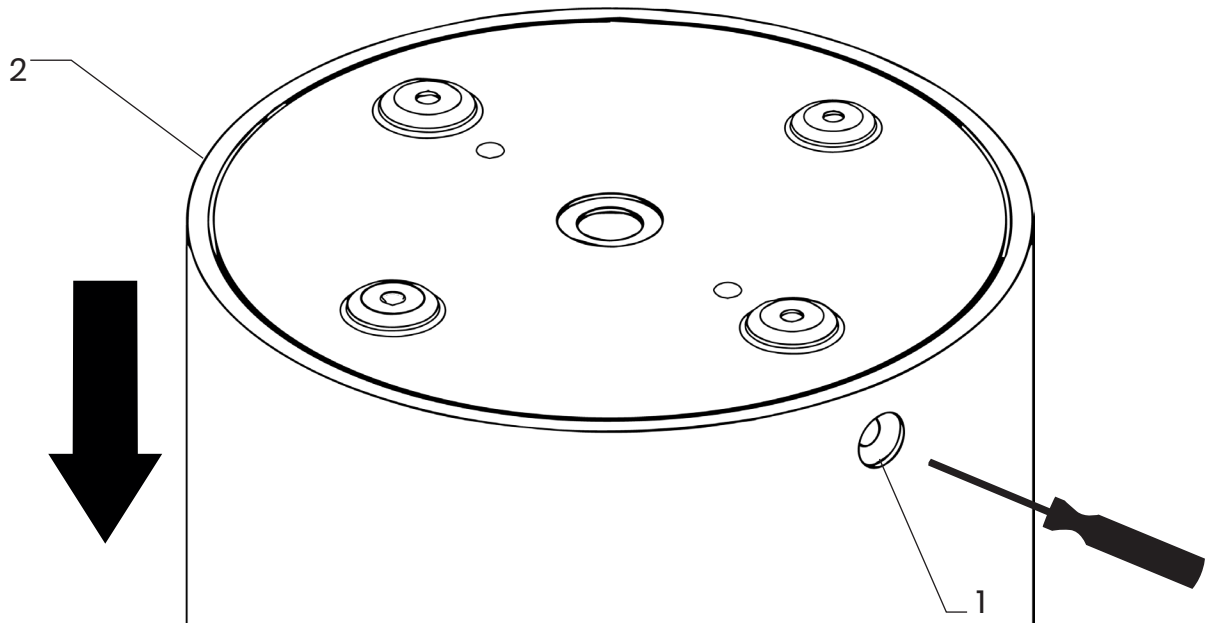
- 3** **A.** Feed Incoming supply cable (provided by others) through ceiling cut-out. **B.** Connect flex to pre supplied connector.



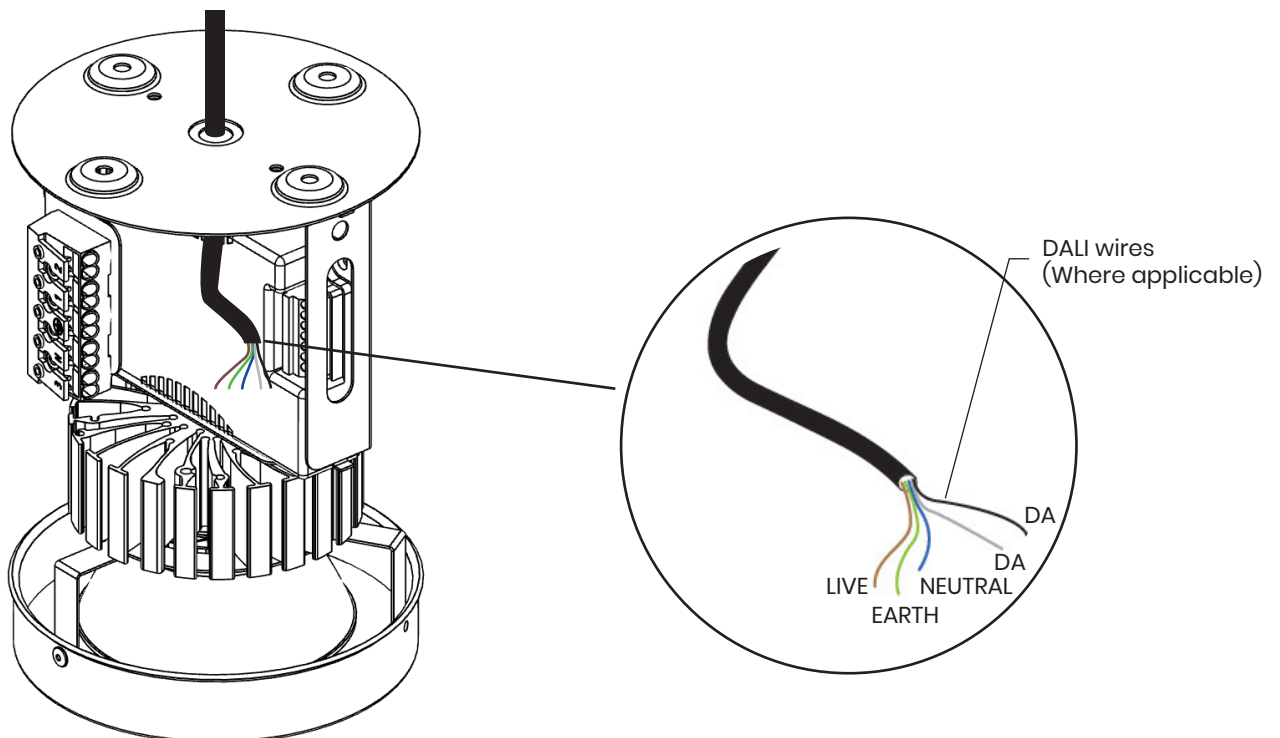
- 4** **A.** Secure the ceiling rose to the mounting bracket using (M3) countersunk screws. **B.** Tighten cable restraint using a flat headed screwdriver (Not supplied). Go to step 12 for complete installation view.



- 5** For luminaires supplied without suspended flex, please remove the luminaire outer housing by un-screwing the two M4 countersunk screws on either side of the luminaire. (So the outer casing slides off).

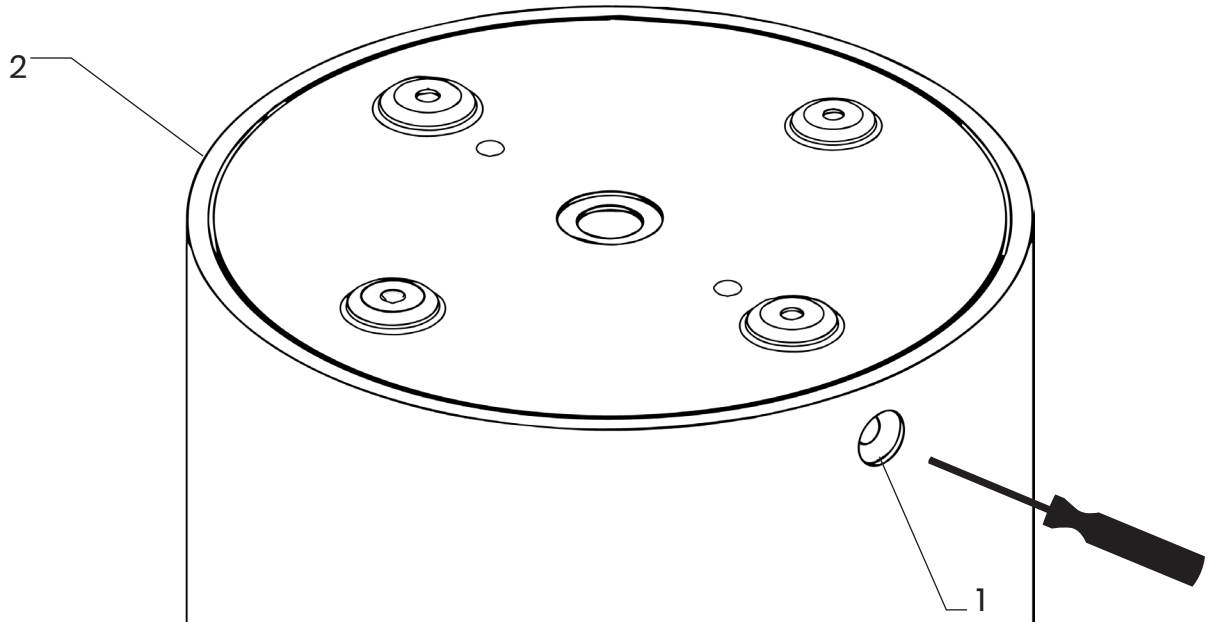


- 6** Feed luminaire flex (provided by others) through the cable gland and housing and connect into terminal block (See pages 9-11 for all wiring diagrams).



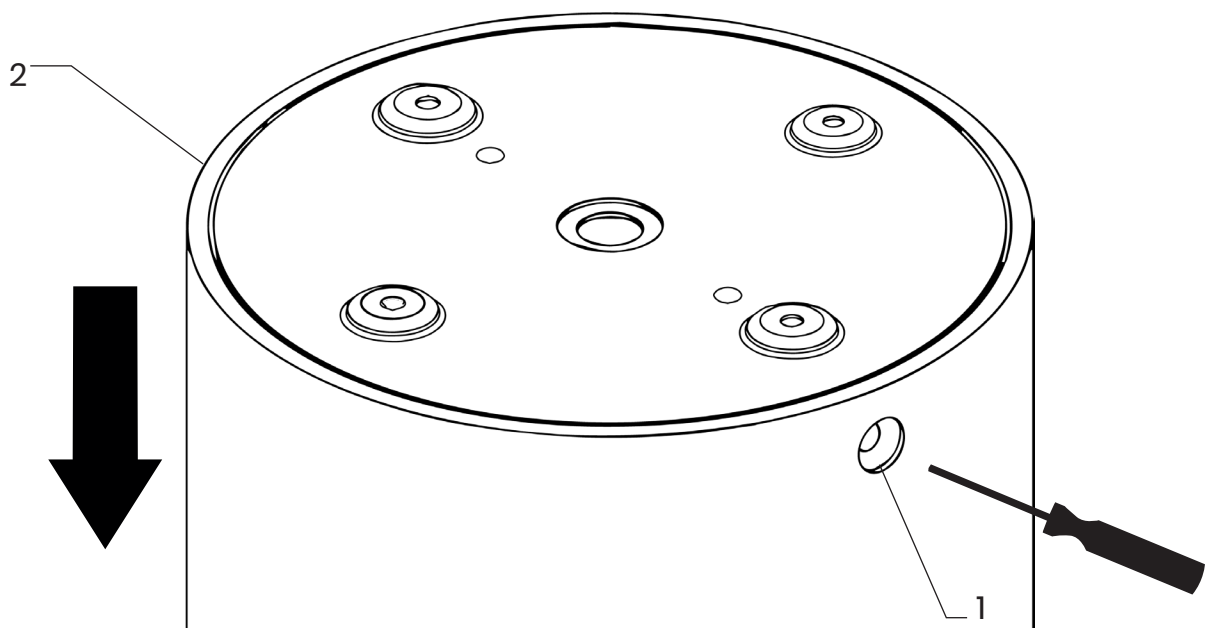
7

Once incoming supply cable has been connected. Re attach the outer housing using the two M4 countersunk screws. Go to step 12 for complete installation view.

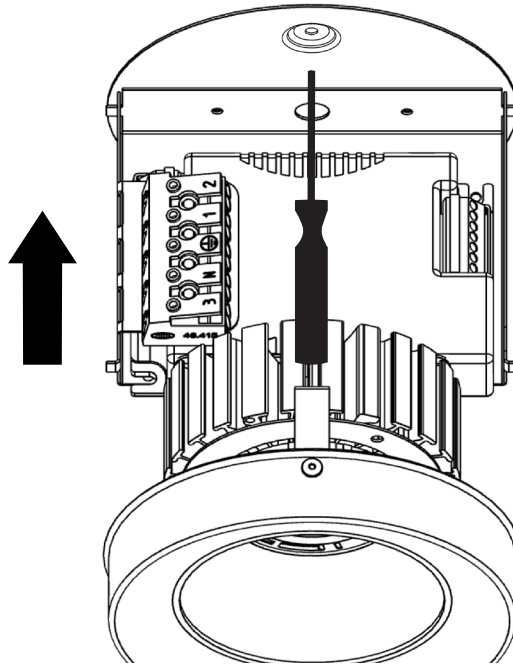


8

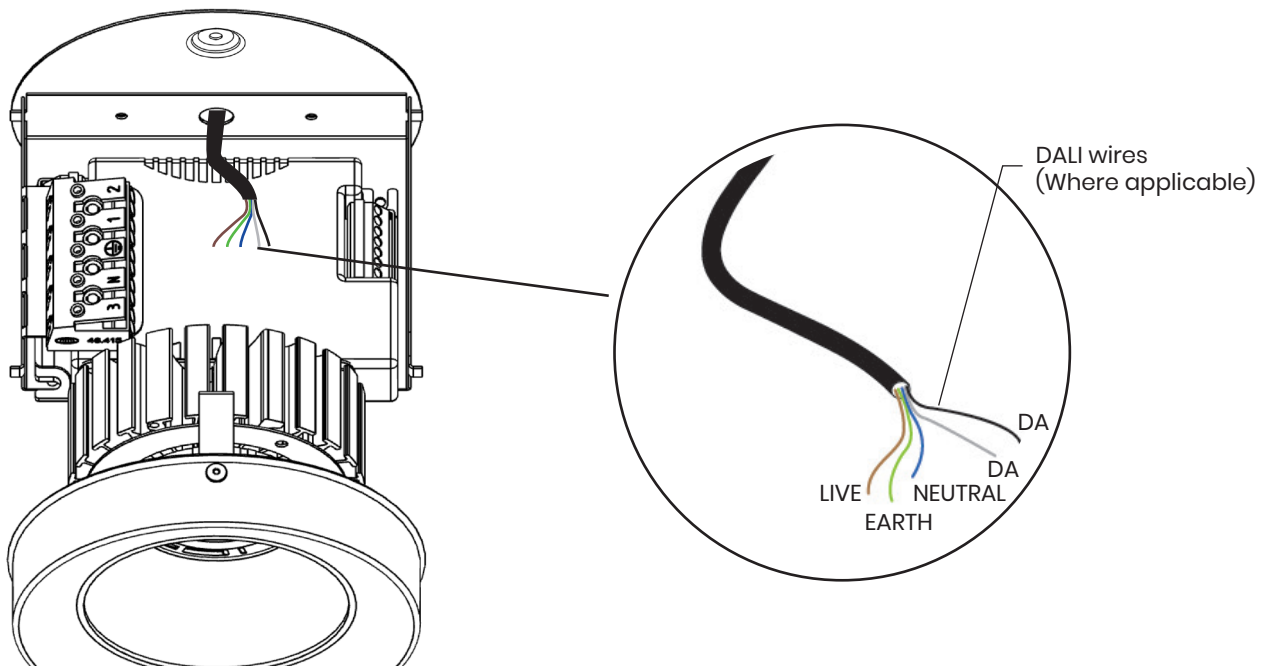
For all surface mounted versions. Please remove the luminaire outer housing by un-screwing the two M4 countersunk screws on either side of the luminaire (So the outer casing slides off).



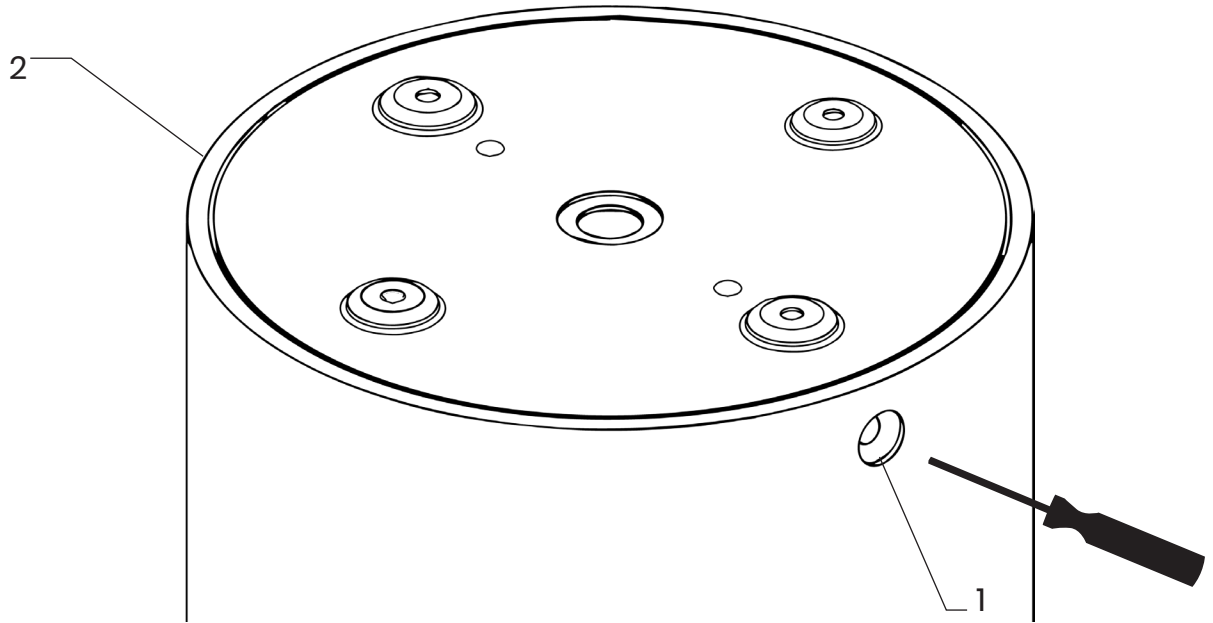
- 9** Offer up luminaire to desired surface. Install using appropriate (M5) fixings. (Supplied by others)



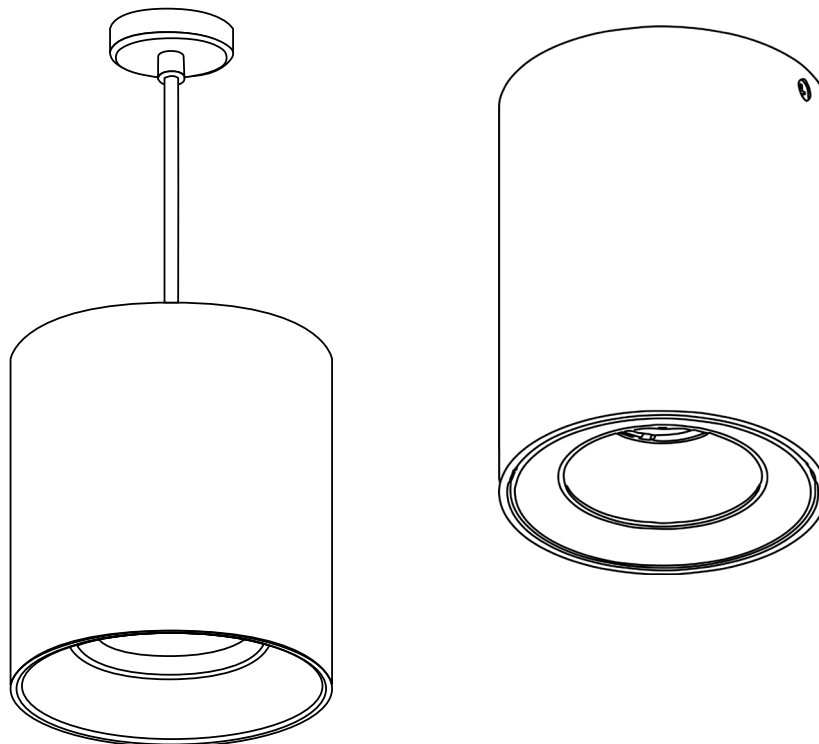
- 10** Feed Incoming supply cable (provided by others) through the housing and connect into terminal block (See pages 9-11 for all wiring diagrams).



- 11** Once luminaire driver has been connected. Re attach the outer housing using the two M4 countersunk screws.

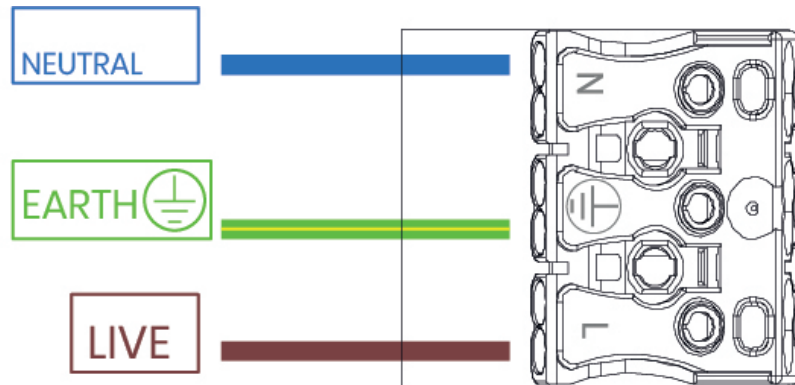


- 12** Complete installation (Front view).



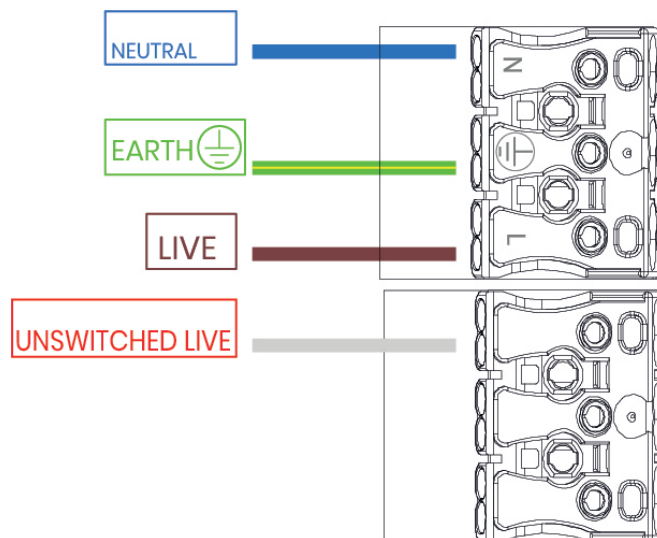
A Fixed Output.

- Neutral
- Earth
- Live



B Fixed Output Emergency Wiring (TL200 only).

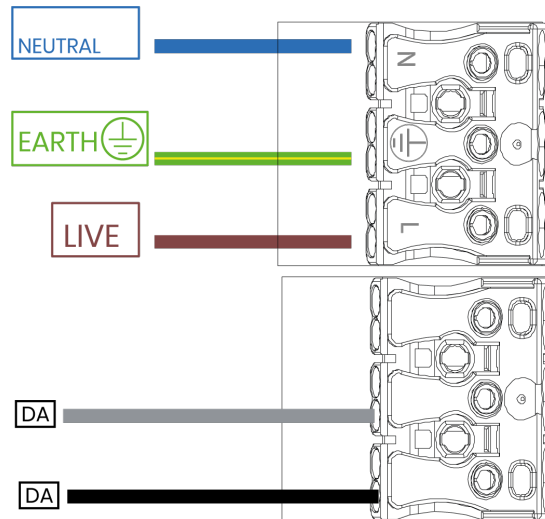
- Neutral
- Earth
- Live
- Unswitched Live



TL WS/SF

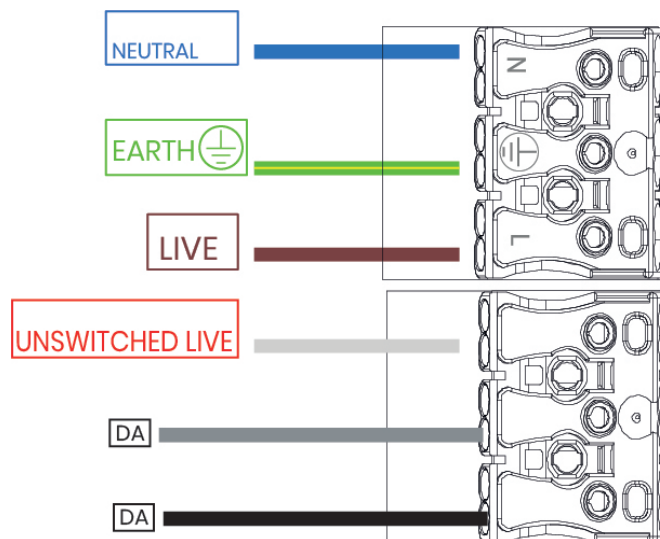
C DALI Wiring.

- Neutral
- Earth
- Live
- DALI
- DALI



D DALI Emergency Wiring (TL200 only).

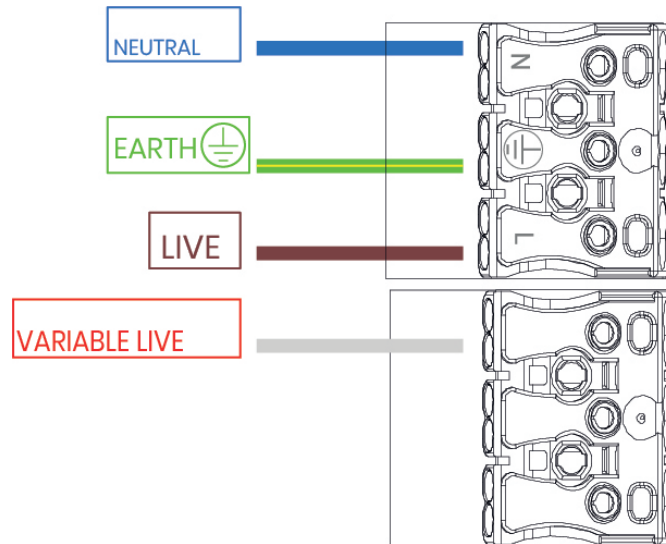
- Neutral
- Earth
- Live
- Unswitched Live
- DALI
- DALI



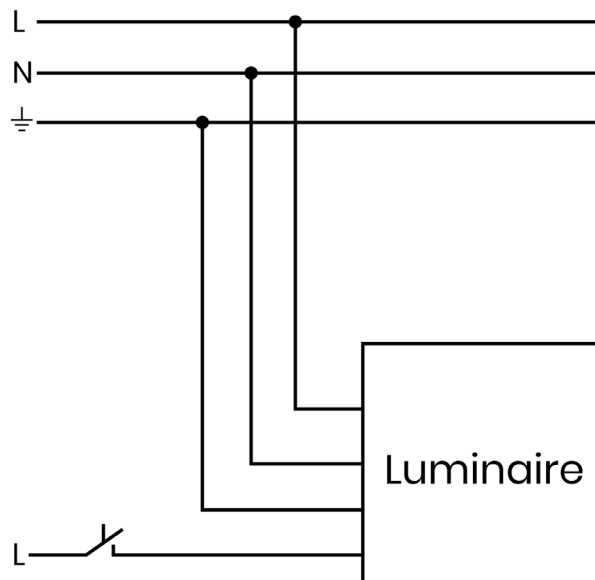
E

SwitchDIM Wiring.

- Neutral
- Earth
- Live
- Variable Live



Example switchDIM circuit
220-240 V
0/50/60 Hz



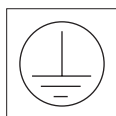
Safety

- This luminaire should be installed by a qualified electrician in compliance with IEE regulations.
- Please ensure mains supply to luminaire is disconnected before installation or maintenance.
 - The light source contained in this luminaire shall only be replaced by the manufacturer or his service agent or a similar qualified person.

Ratings

- This luminaire is designed to operate at 230VAC
-6% +10% 216v to 252v.
DO NOT OPERATE OUTSIDE THIS RANGE.
- This luminaire is only suitable for installation within its rated ingress Protection limits.

Subject to change without notice. Errors and omission excepted.
Always make sure to use the most recent release.



CROWN HOUSE, PLANTATION RD,
BURSCOUGH, LANCASHIRE. L40 8JT
01704 891 333
www.pandaprojects.co.uk