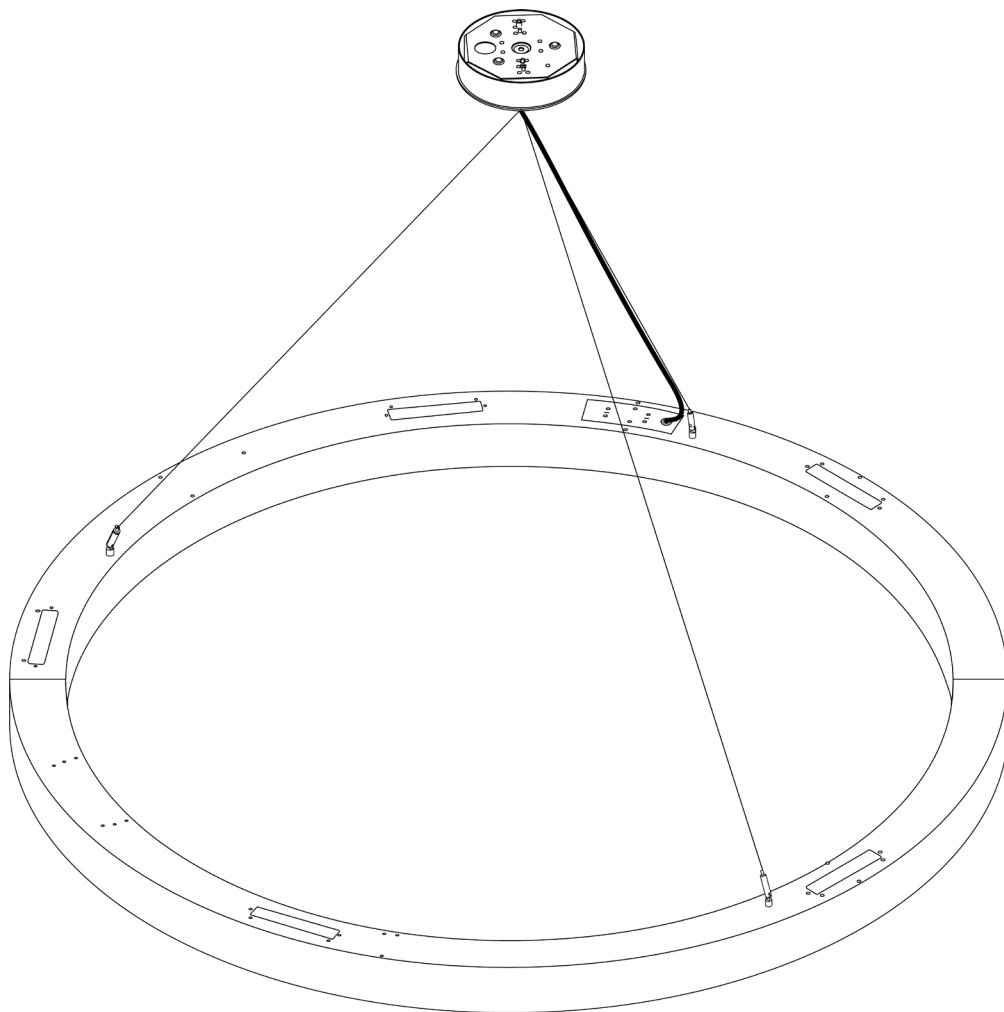


POLO

500/700/900/1200/1500mm

Wire suspended Architectural feature
luminaire.

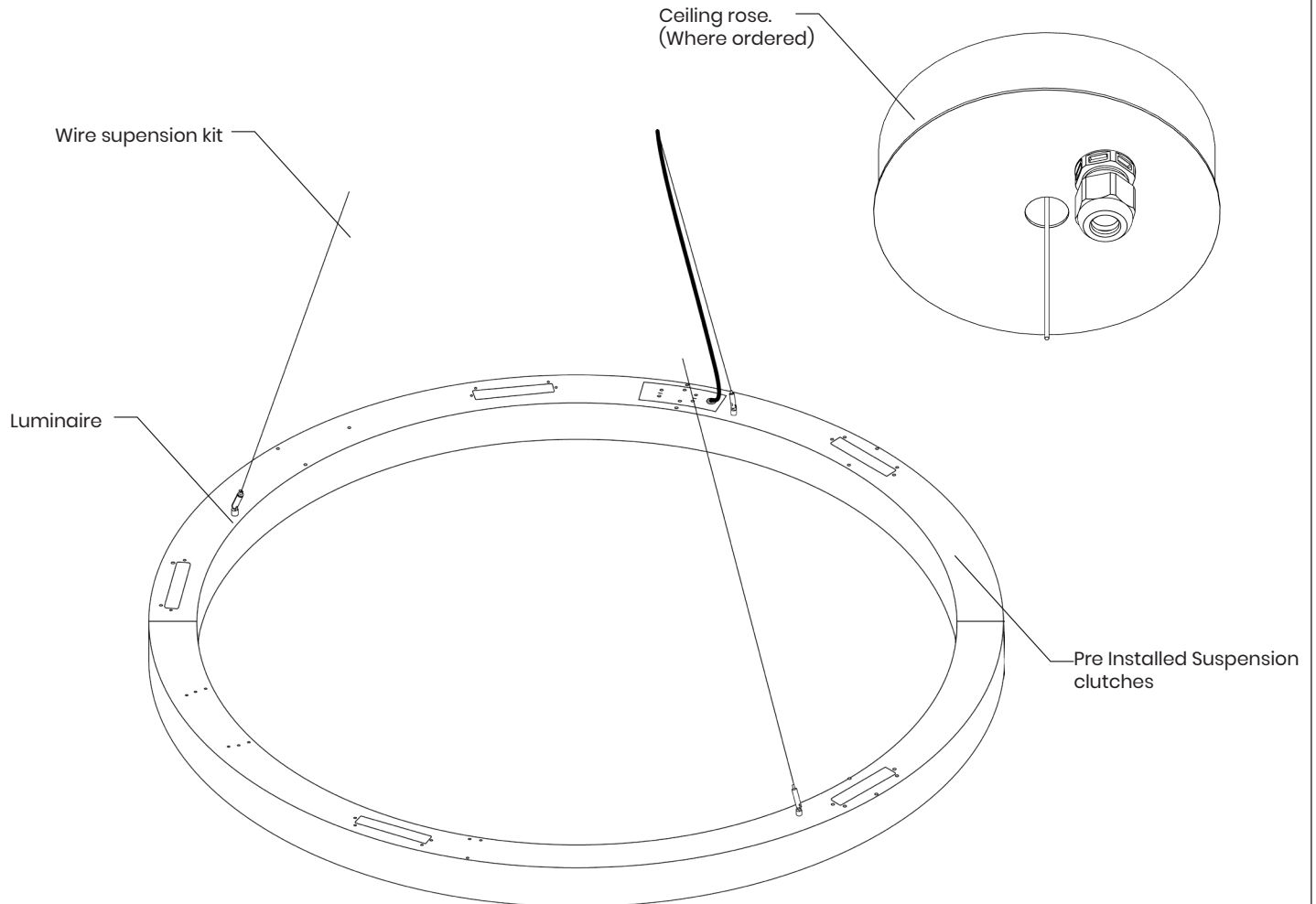


P&A

POLO

As Standard

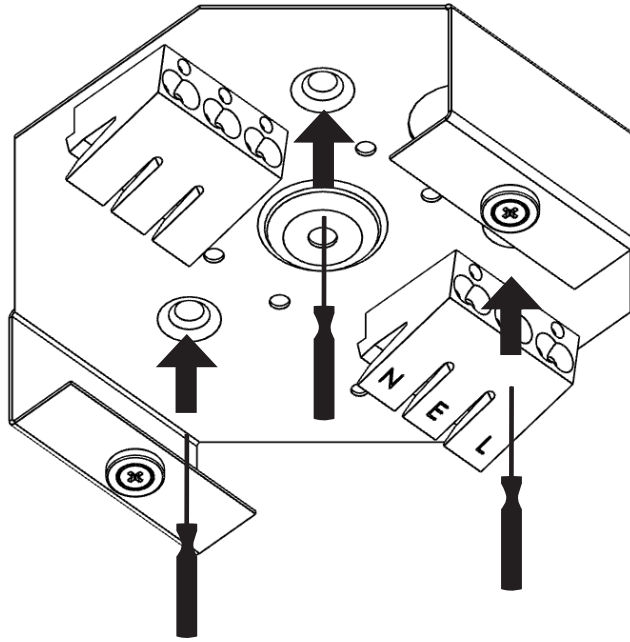
- Luminaire.
- Ceiling rose (When ordered).
- Individual wire suspension kit (As Standard, See table below for qty).
- 3 point wire suspension kit (When ordered along with ceiling rose).
- Please check thoroughly before installing and report any missing components.



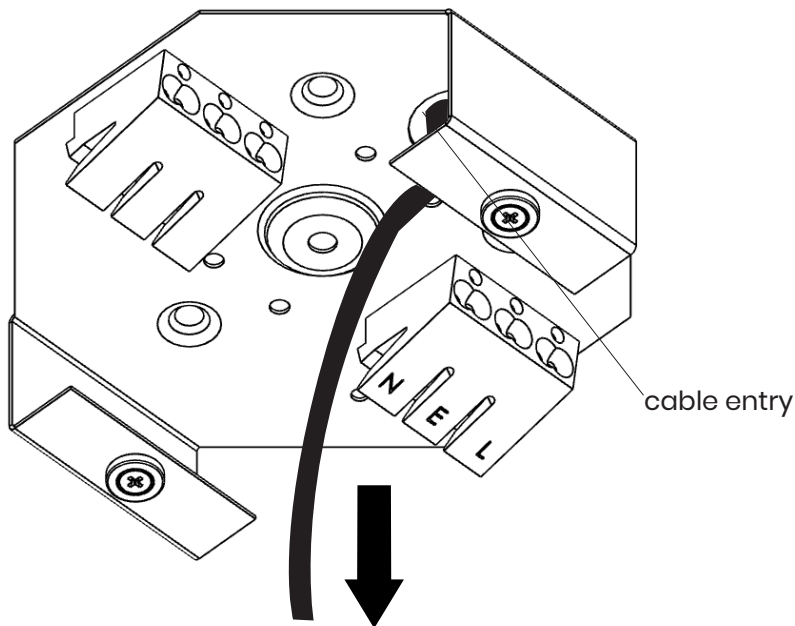
Nominal Diamters				
Products				
	<i>D</i> Ø	<i>H</i>	<i>Kg</i>	<i>No. Suspension Points</i>
POLO5	500	80	5	3
POLO7	700	80	7	3
POLO9	900	80	9	3
POLO12	1200	80	11	3
POLO15	1500	80	13	3

POLO (With Ceiling Rose)

- 1** Install ceiling rose (When ordered) mounting bracket using appropriate (M4) fixings (Supplied by others). Go to step4 for individual suspension points.



- 2** Feed Incoming supply (provided by others) through cable entry hole.

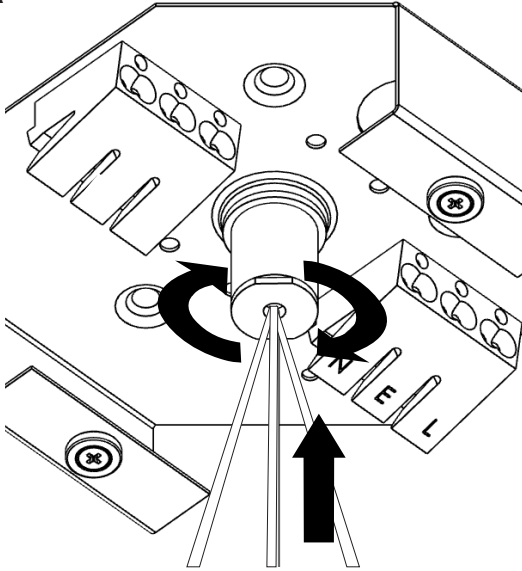


POLO (With Ceiling Rose)

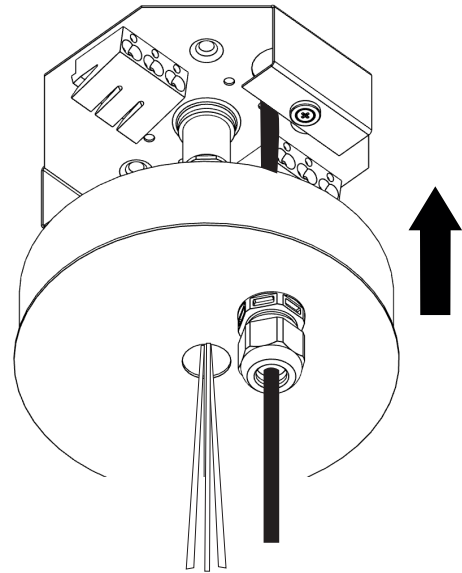
3

A. Offer up and thread wire suspension cup onto the ceiling rose mounting bracket. Thread cable through ceiling rose cap. **B.** Offer up ceiling rose cap and slide over mounting bracket. Cap will magnetically click into place onto the bracket. Go to Step 5 for instructions threading cables. For individual wire suspension please see step 4.

A

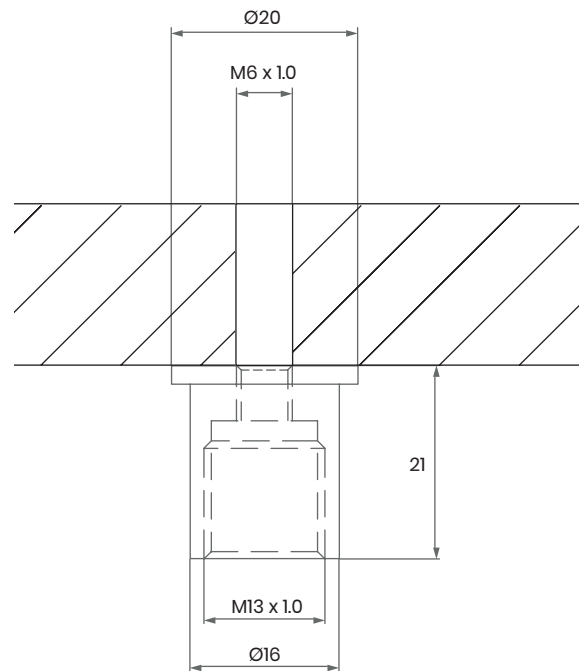
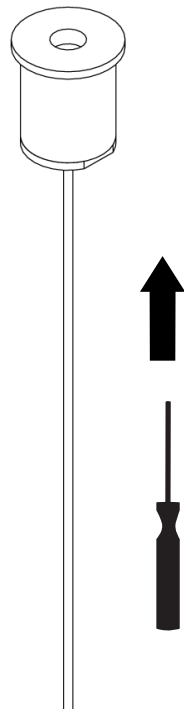


B



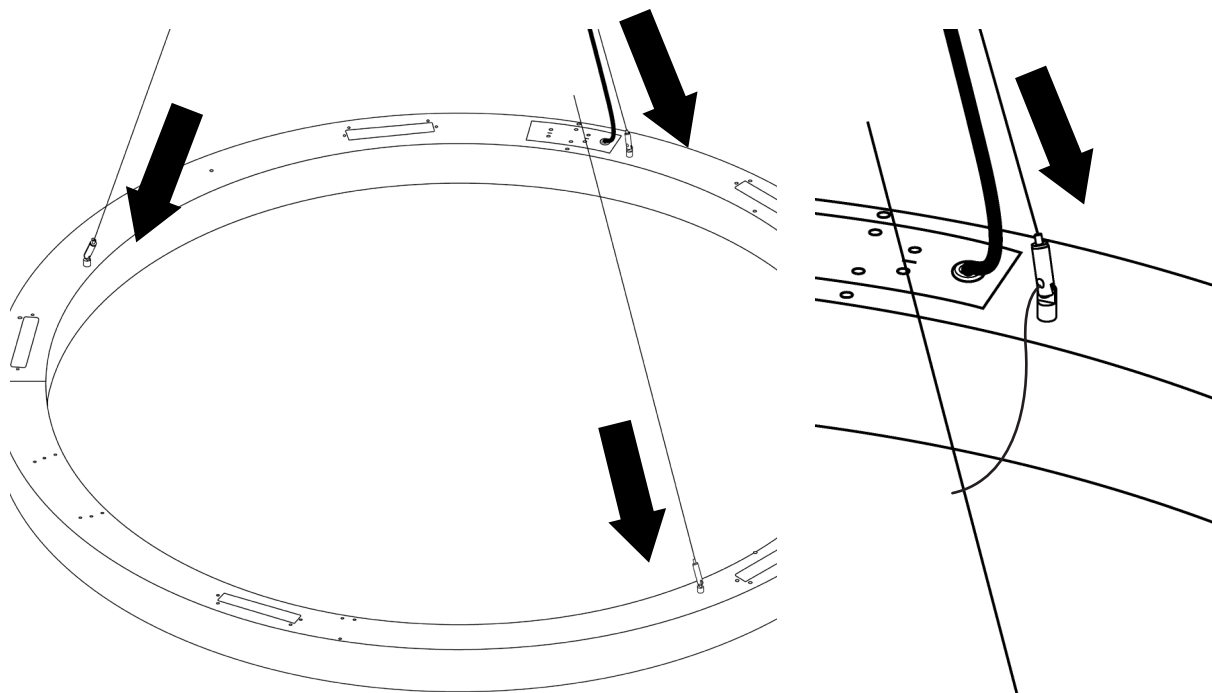
4

For Individual suspension points, Install female ceiling boss using an M6 Screw.
(Appropriate fixings supplied by others)

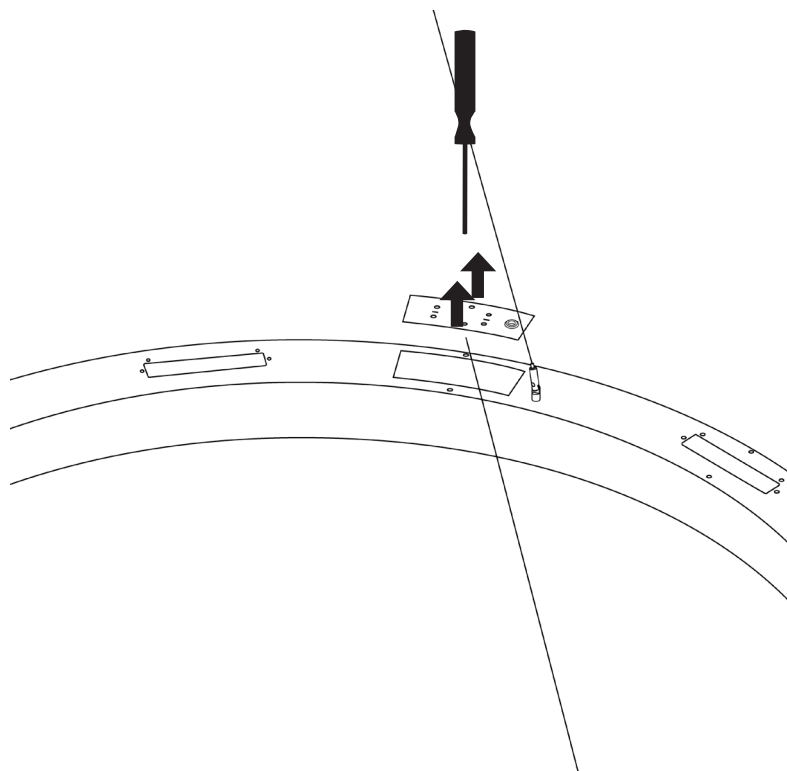


POLO

- 5** Thread suspension wire through suspension clutches (Pre installed).

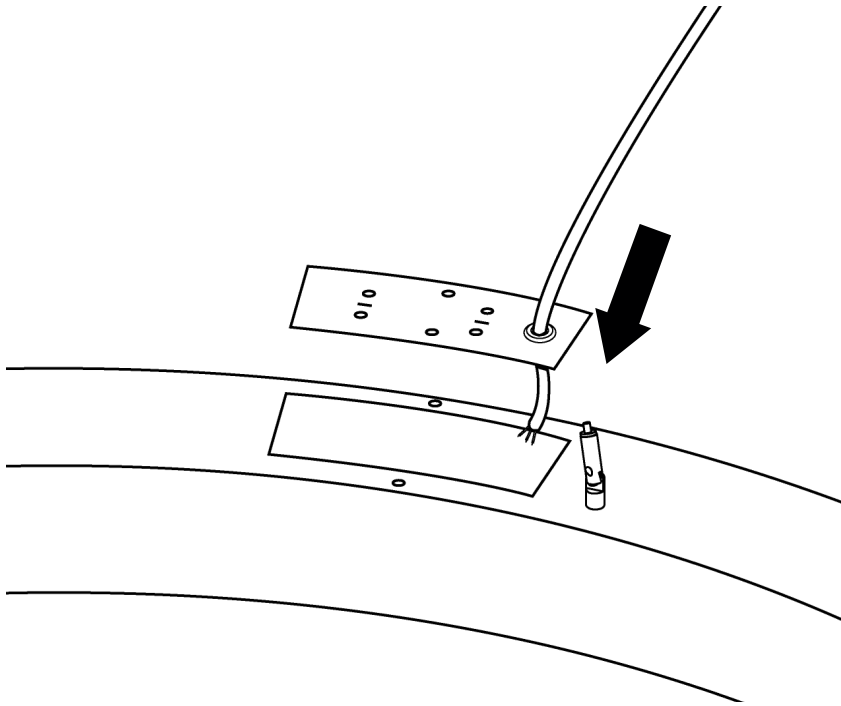


- 6** Please remove the two electrical plate cover screws, and remove the electrical cover plate.

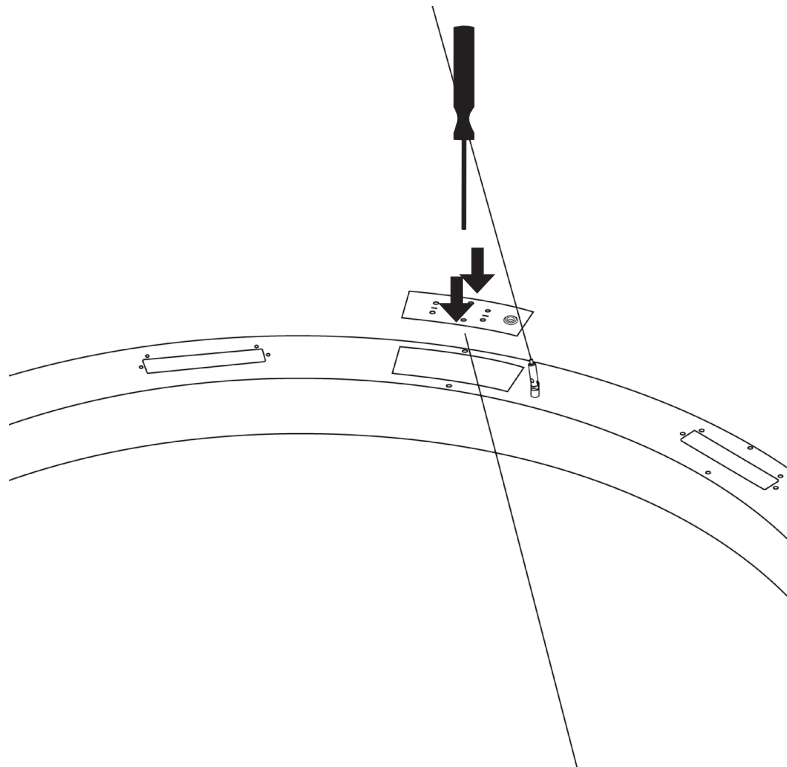


POLO

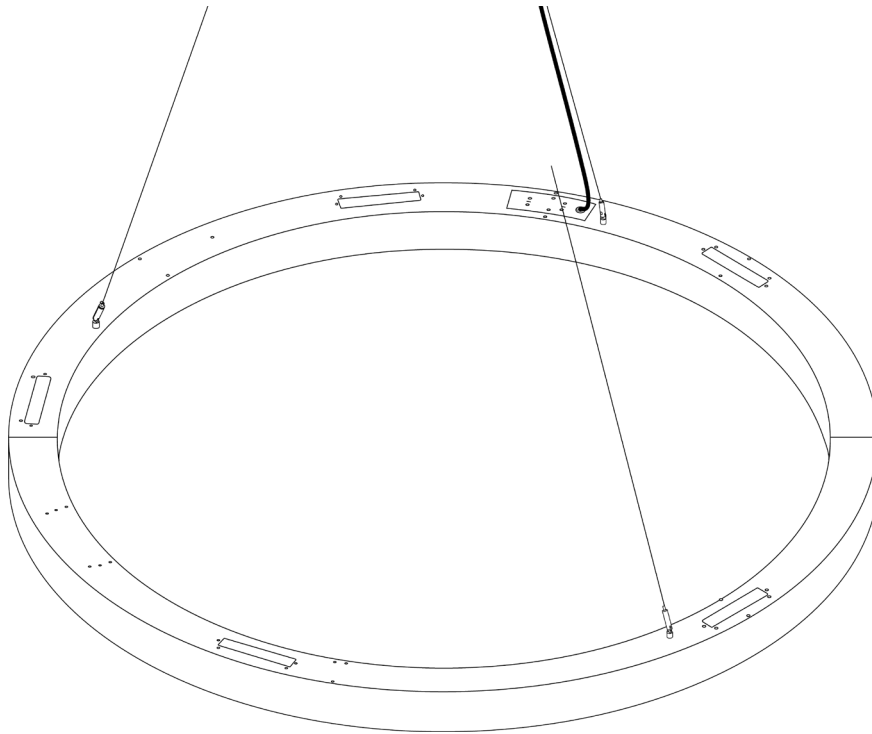
- 9** Feed Incoming supply cable, through cable gland and cable restraint. Connect to terminal block and please ensure cable restraint is secure. (See pages 7-9 for all wiring diagrams)



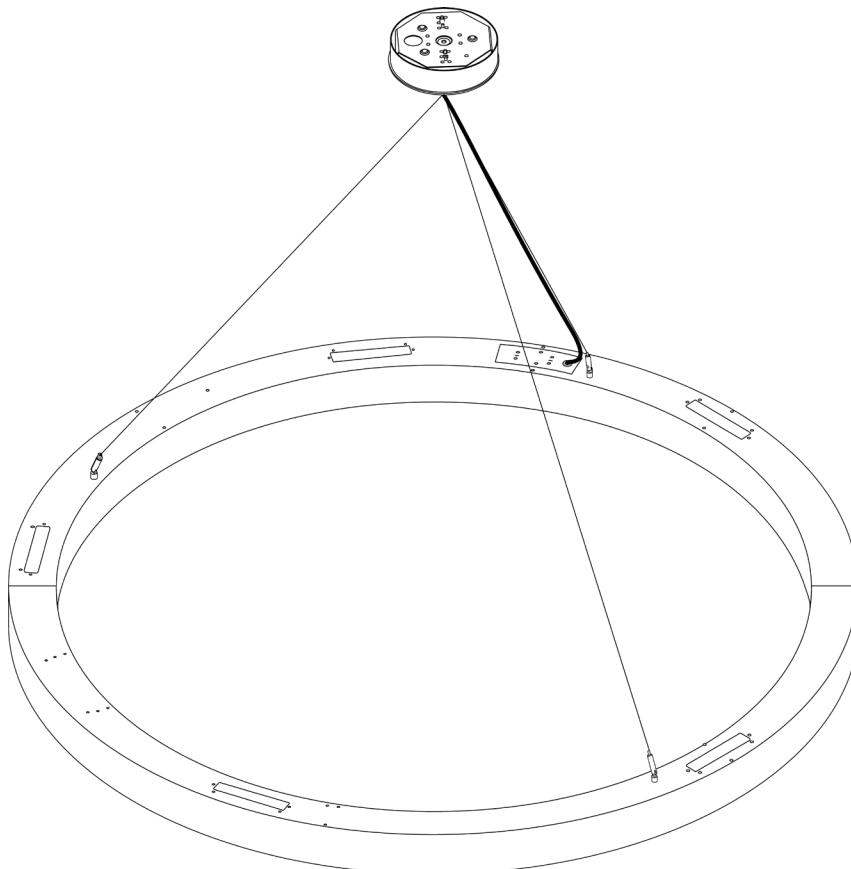
- 10** Please re-attach the electrical cover plate using the two screws.



11 Complete installation with individual suspension points (Rear View)



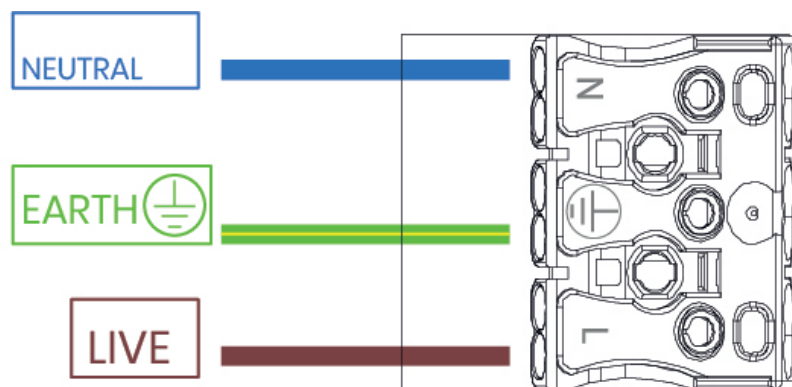
Complete installation with ceiling Rose (Rear View)



POLO

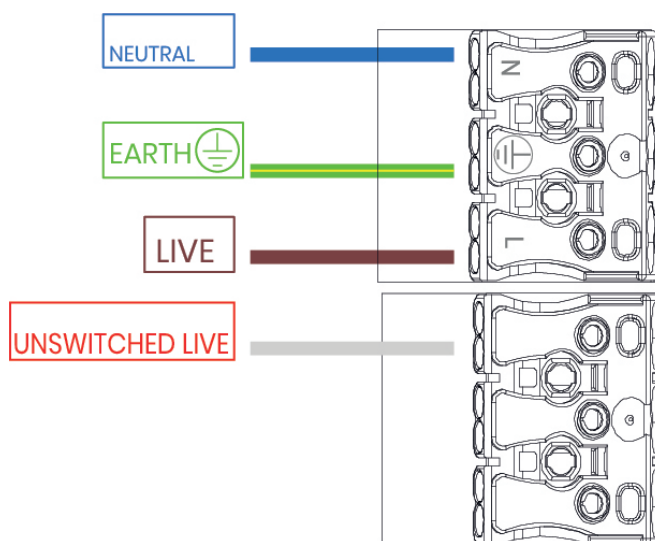
A Fixed Output.

- Neutral
- Earth
- Live



B Fixed Output Emergency Wiring.

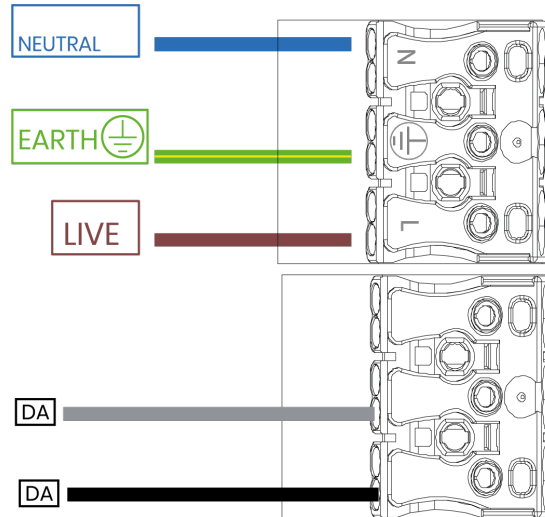
- Neutral
- Earth
- Live
- Unswitched Live



C

DALI Wiring.

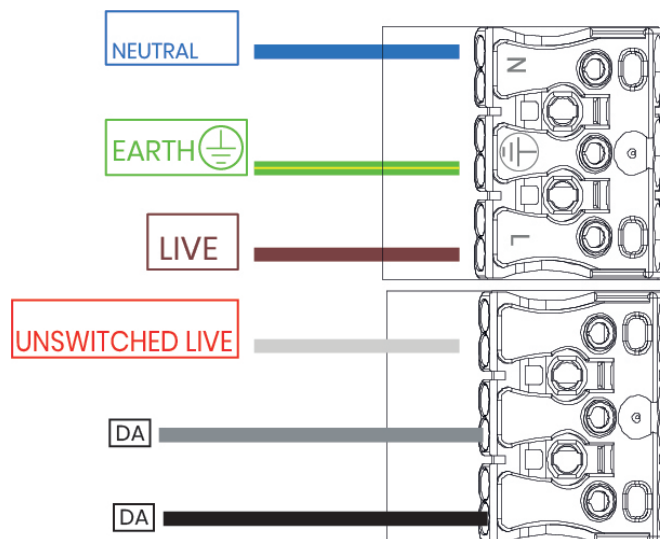
- Neutral
- Earth
- Live
- DALI
- DALI



D

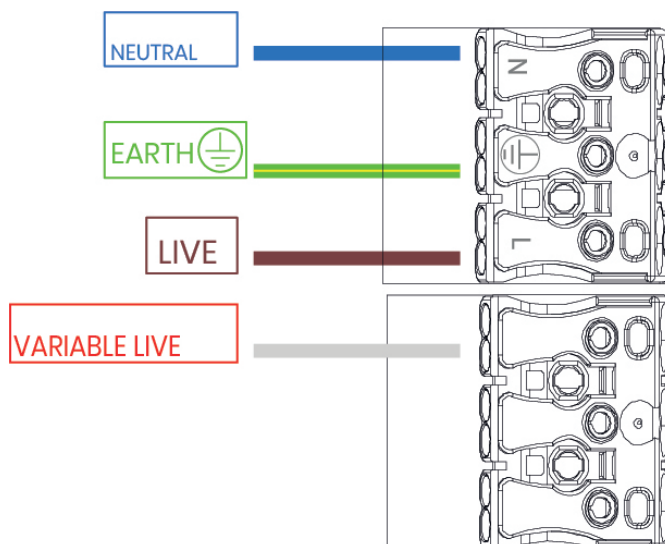
DALI Emergency Wiring.

- Neutral
- Earth
- Live
- Unswitched Live
- DALI
- DALI

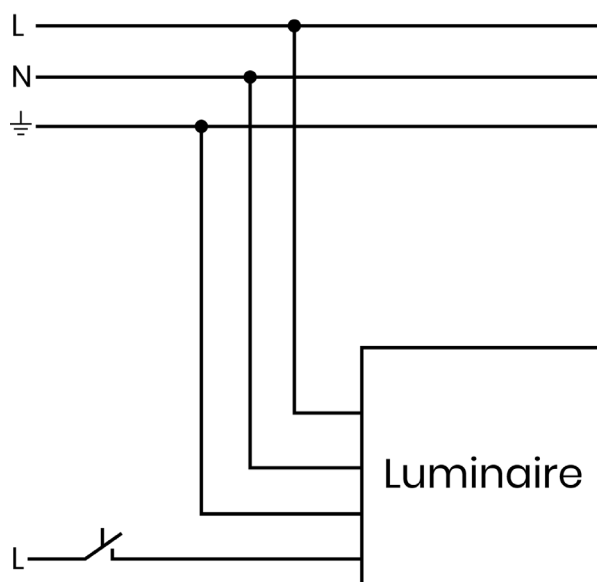


E SwitchDIM Wiring.

- Neutral
- Earth
- Live
- Variable Live



Example switchDIM circuit
 220-240 V
 0/50/60 Hz



NOTES

POLO

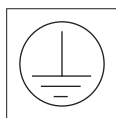
Safety

- This luminaire should be installed by a qualified electrician in compliance with IEE regulations.
- Please ensure mains supply to luminaire is disconnected before installation or maintenance.
 - The light source contained in this luminaire shall only be replaced by the manufacturer or his service agent or a similar qualified person.

Ratings

- This luminaire is designed to operate at 230VAC
-6% +10% 216v to 252v.
DO NOT OPERATE OUTSIDE THIS RANGE.
- This luminaire is only suitable for installation within its rated ingress Protection limits.

Subject to change without notice. Errors and omission excepted.
Always make sure to use the most recent release.



CROWN HOUSE, PLANTATION RD,
BURSCOUGH, LANCASHIRE. L40 8JT
01704 891 333
www.pandaprojects.co.uk