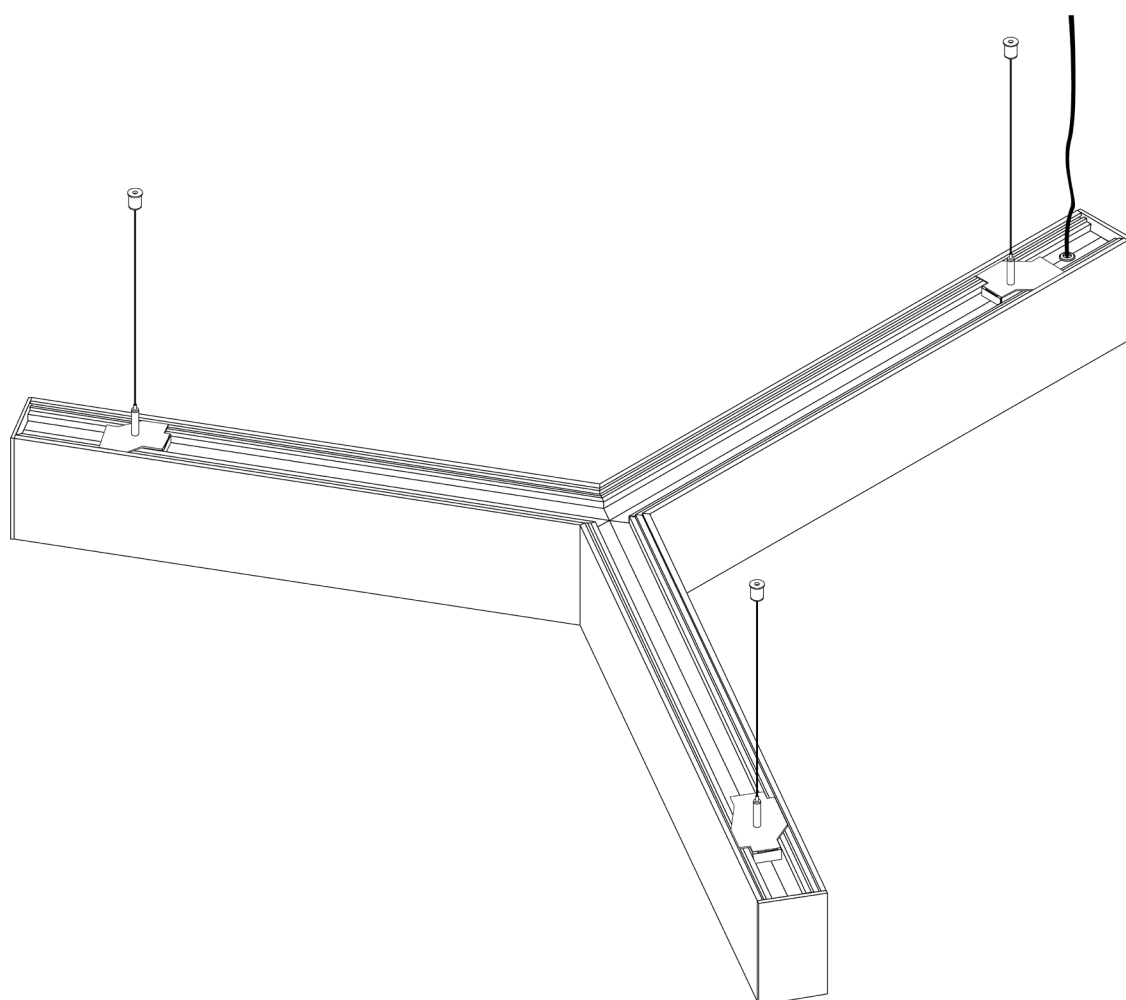


SubSpace Y

600/900/1200mm

Suspended feature Luminaire

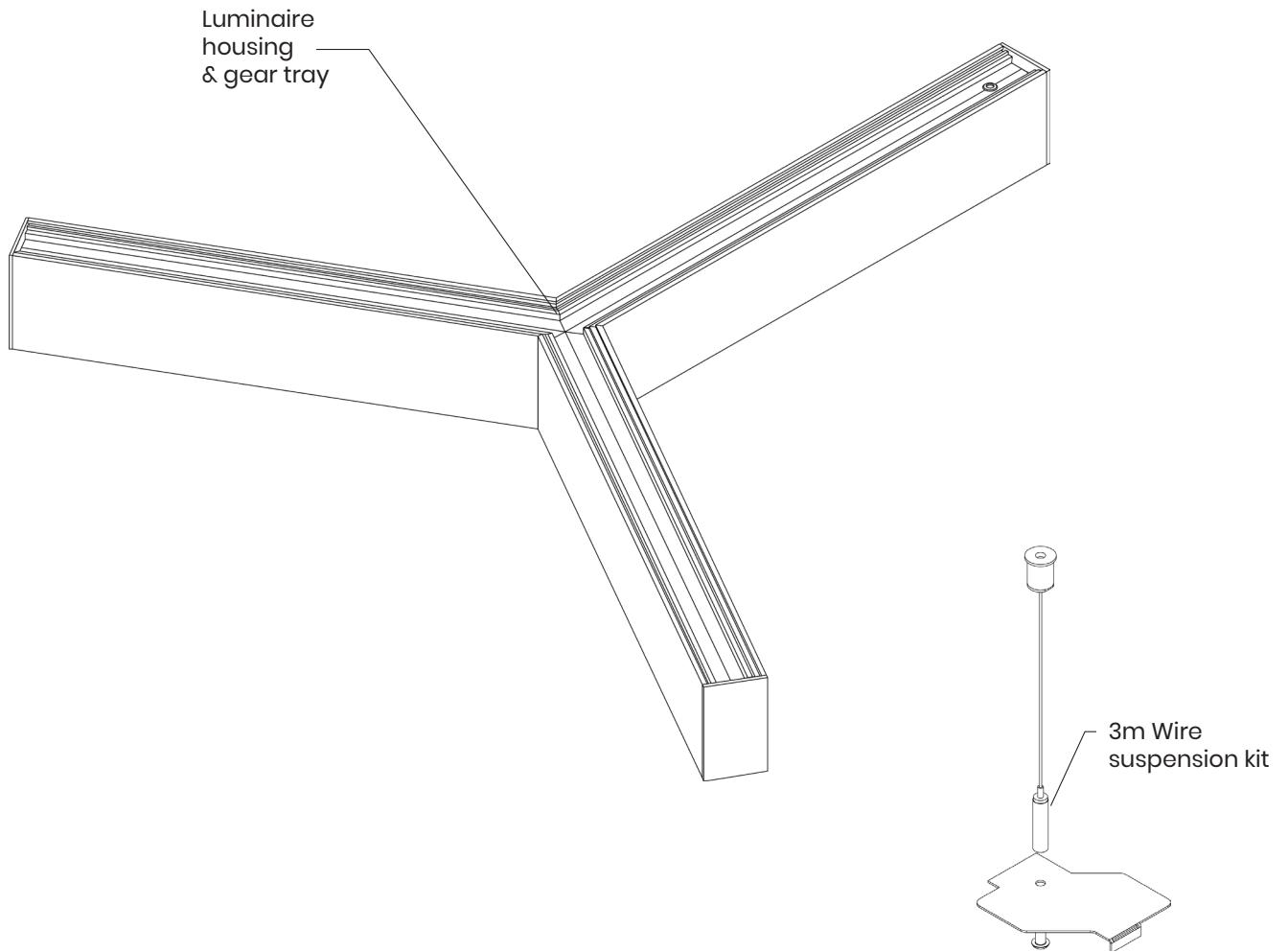


P&A

SubSpace Y

As Standard

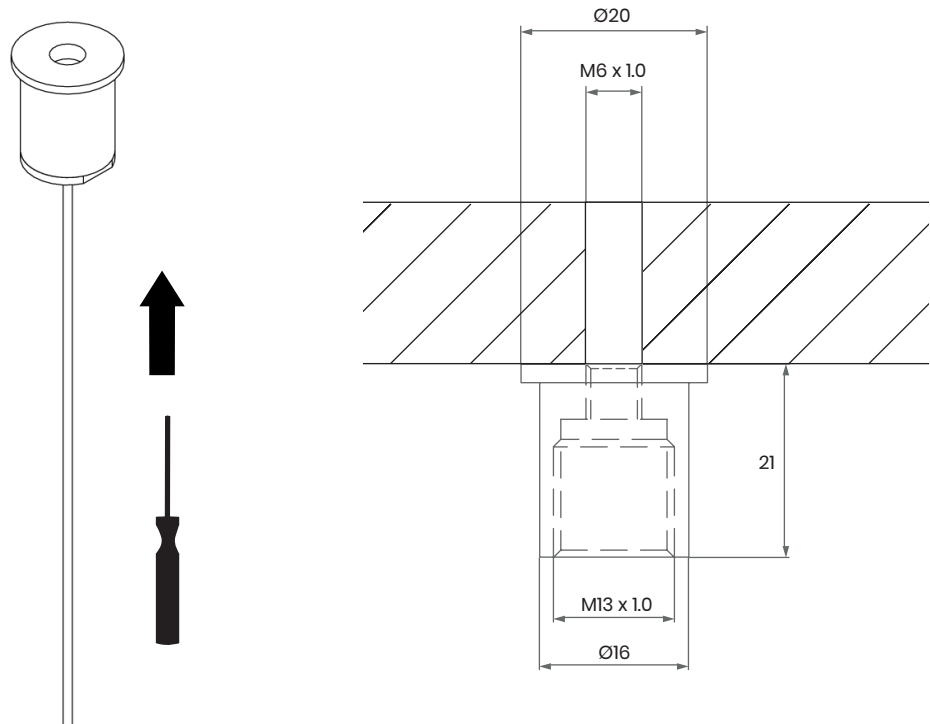
- Luminaire.
- Individual wire suspension kit (As Standard, See table below for qty).
- Please check thoroughly before installing and report any missing components.



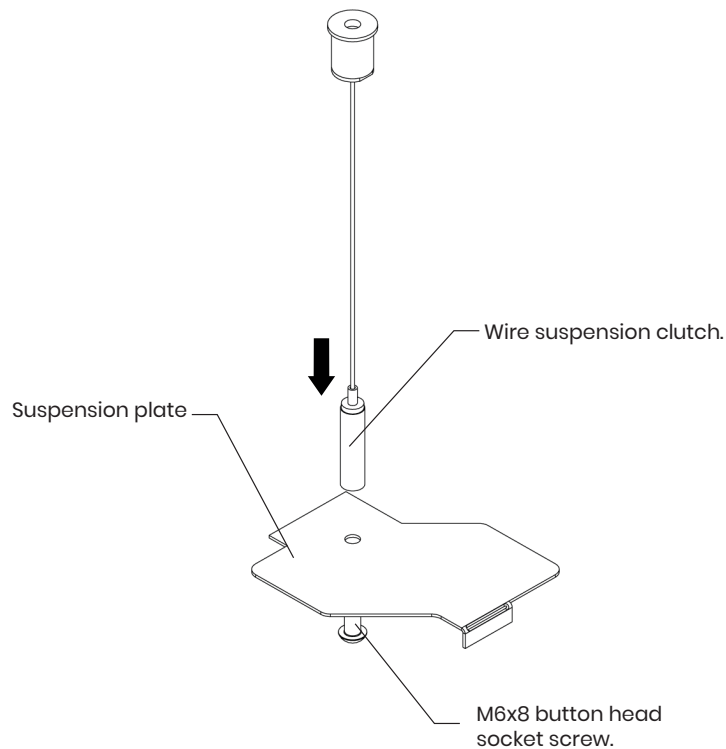
Nominal Diamters				
Products				
	<i>D</i> Ø	<i>H</i>	<i>Kg</i>	<i>No. Suspension Points</i>
SSY6	600	85	6	3
SSY9	900	85	9	3
SSY12	1200	85	11	3

SubSpace Y

- 1 Install female ceiling boss using a M6 Screw. (Appropriate fixings supplied by others), Repeat for all suspension points.



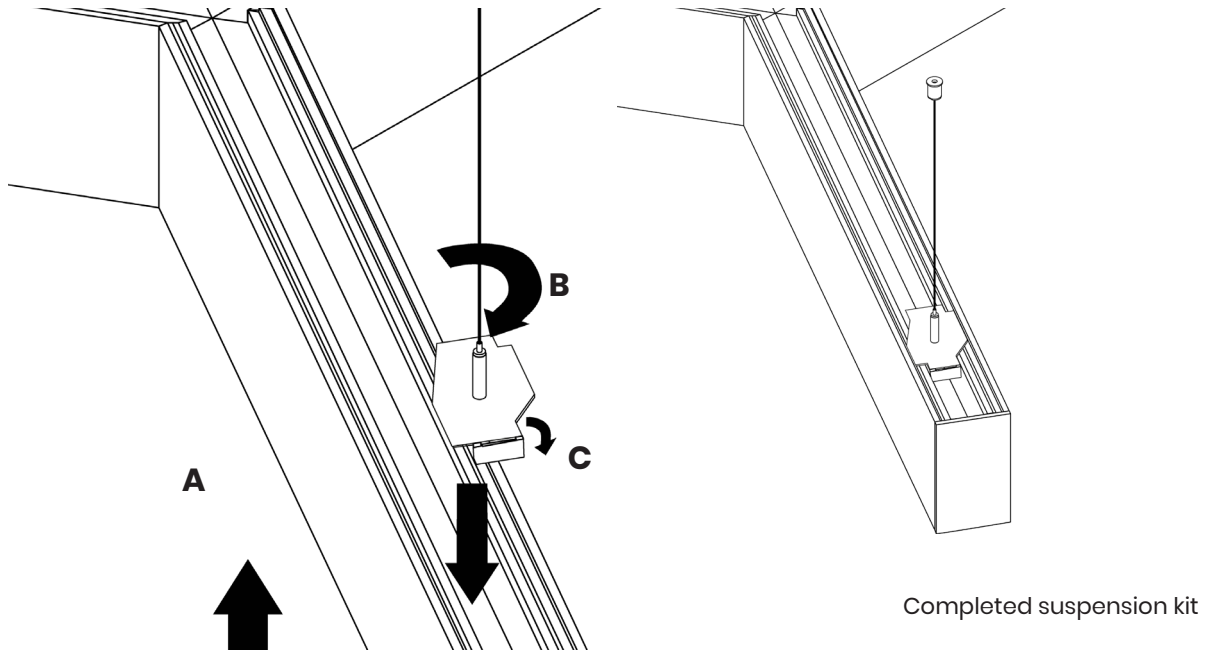
- 2 Thread suspension wire through suspension clutch, Fit clutch to suspension plate with M6x8 Screw supplied.



SubSpace Y

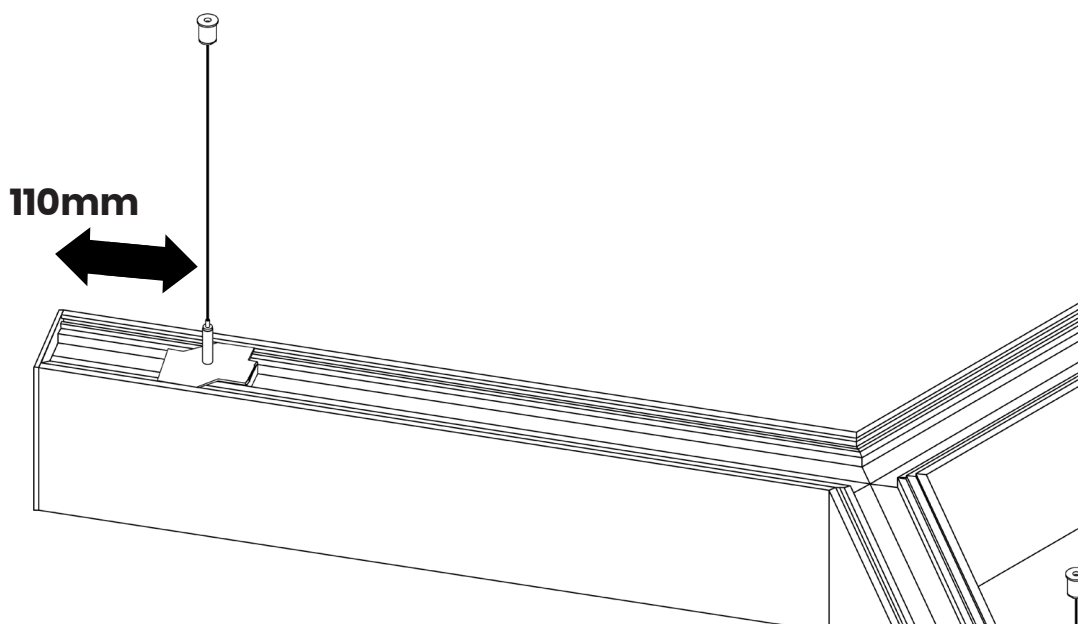
2

A. Offer up luminaire to suspension kit, **B.** rotate suspension plate into grooved channel on the back of the luminaire. **C.** Bend down easy form tab to secure suspension plate into place. Repeat for all suspension plates.



Completed suspension kit

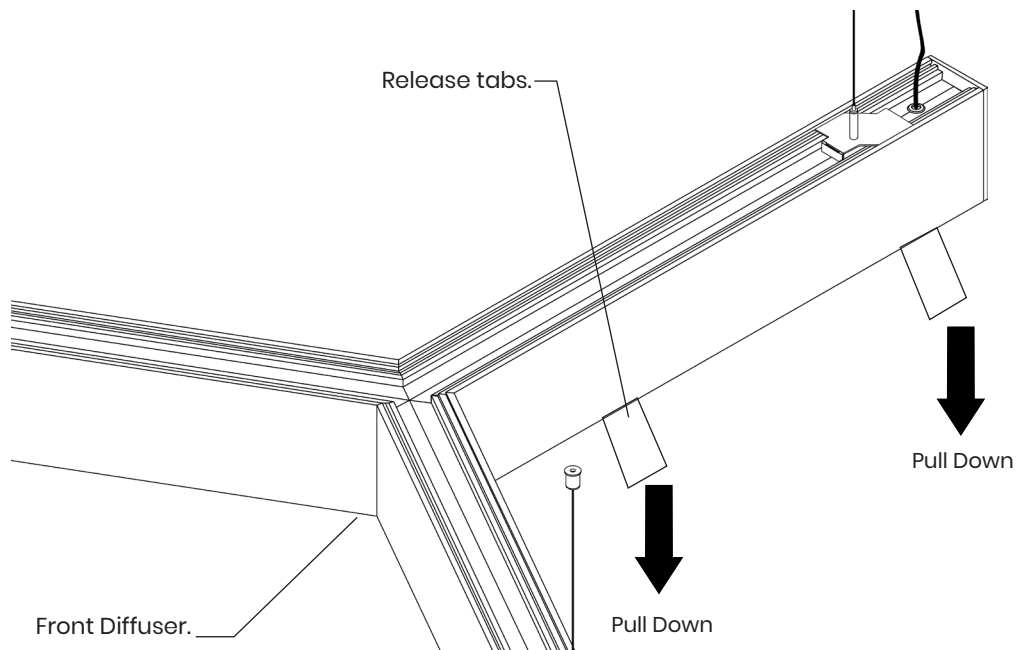
4 Adjust suspension plates to 110mm from end of bodies. To ensure cable gland is not blocked/covered.



SubSpace Y

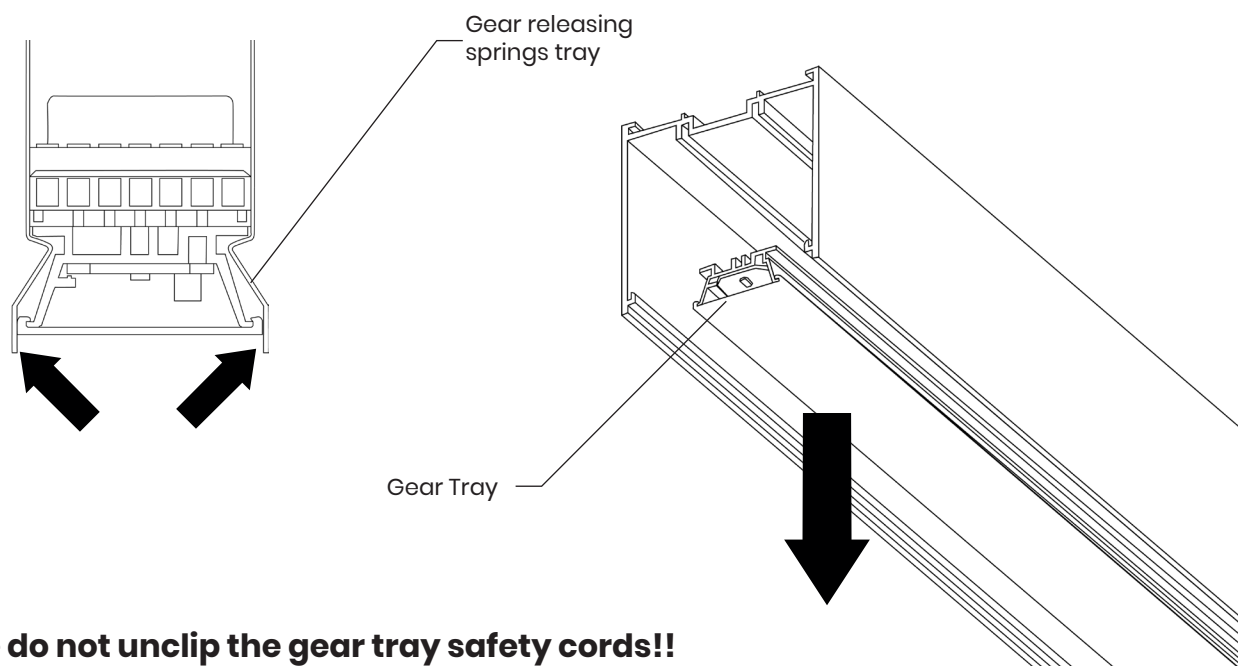
3

Remove front diffuser using pre installed release tabs, store diffuser safely until required later.



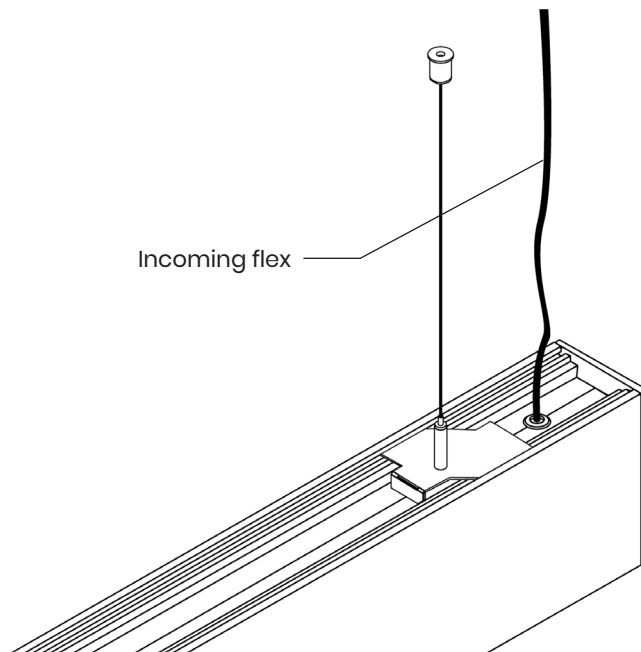
4

Press gear tray releasing springs and gently pull gear tray out underneath cable entry point. (All adjoining gear trays are pre connected to this gear tray)

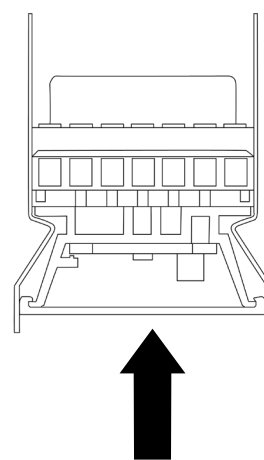
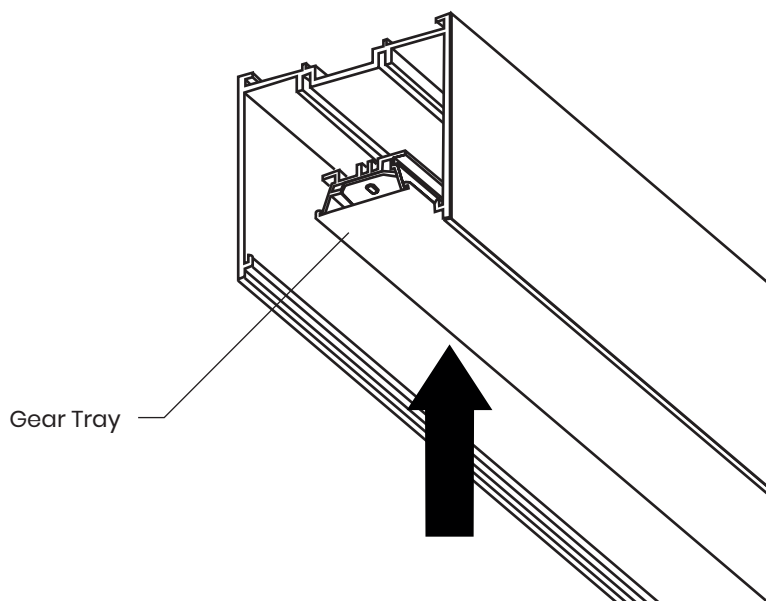


SubSpace Y

- 5** Feed Incoming flex (provided by others) through the cable gland. Connect feed into the terminal block (See pages 7-9 for all wiring diagrams).



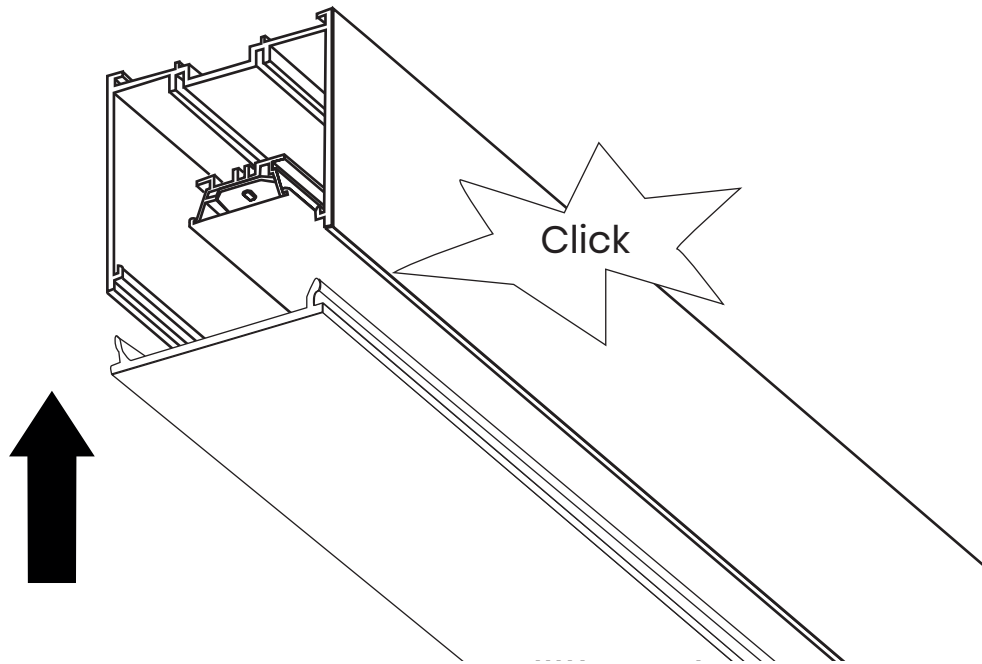
- 6** Once the luminaire has been wired. Gently push the gear tray back into the springs so that it sits as per diagram below.



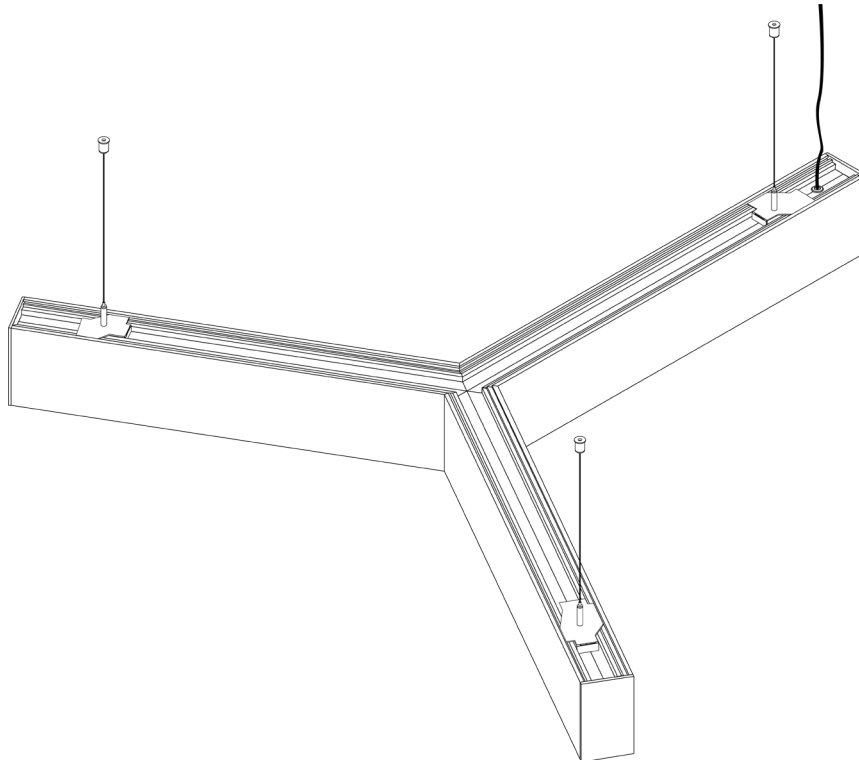
!!PLEASE DO NOT!!
Over push gear tray into springs,
please ensure gear tray is positioned
as per diagram shown

SubSpace Y

- 7** Re install the diffusers back into the main housing ensuring they all click back into the body evenly.



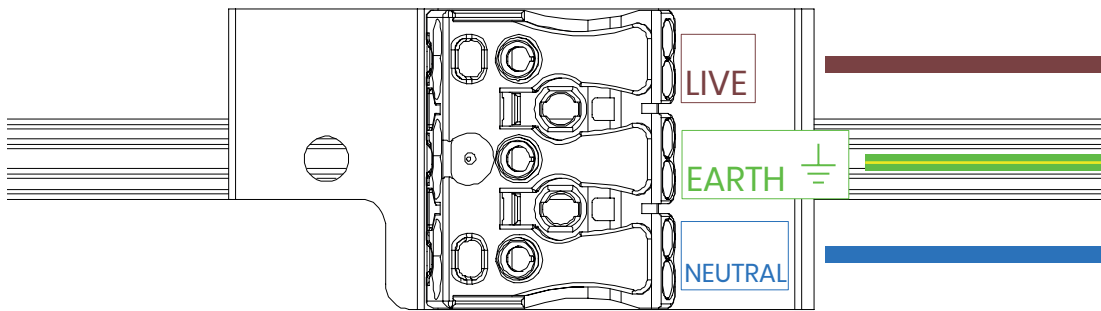
- 8** Complete installation (Rear View).



SubSpace Y

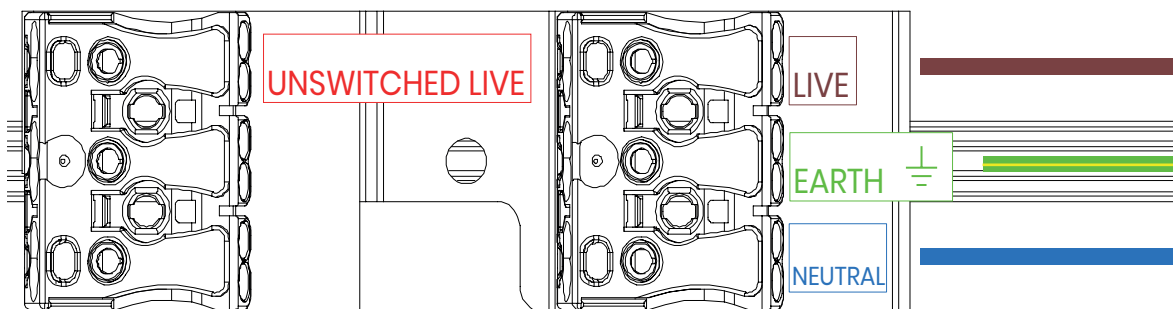
A Fixed Output.

- Live
- Earth
- Neutral



B Fixed Output Emergency Wiring.

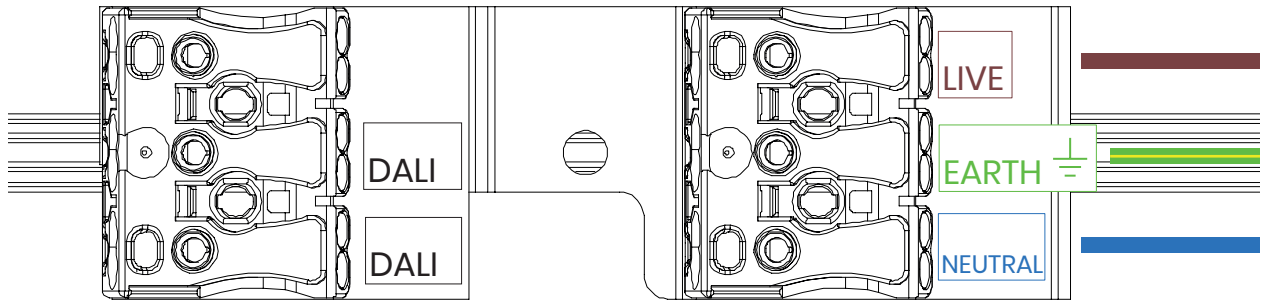
- Live
- Earth
- Neutral
- Unswitched Live



SubSpace Y

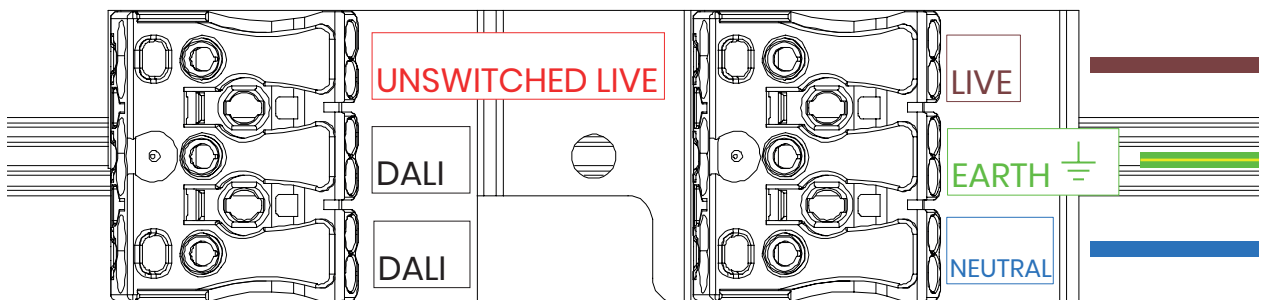
C DALI Wiring.

- Live
- Earth
- Neutral
- DALI
- DALI



D DALI Emergency Wiring.

- Live
- Earth
- Neutral
- Unswitched Live
- DALI
- DALI

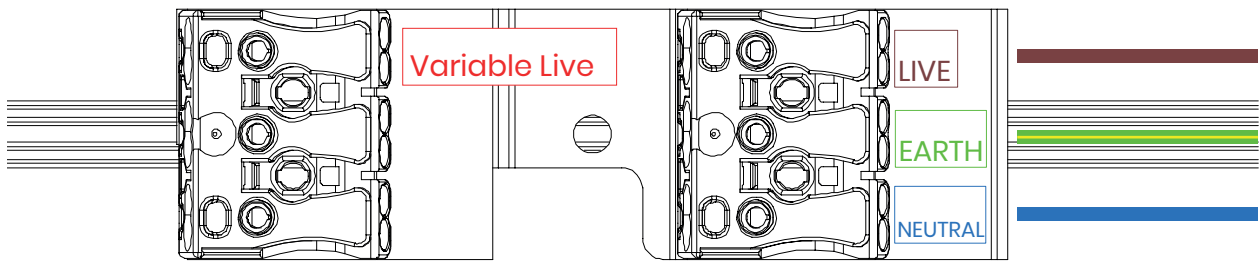


SubSpace Y

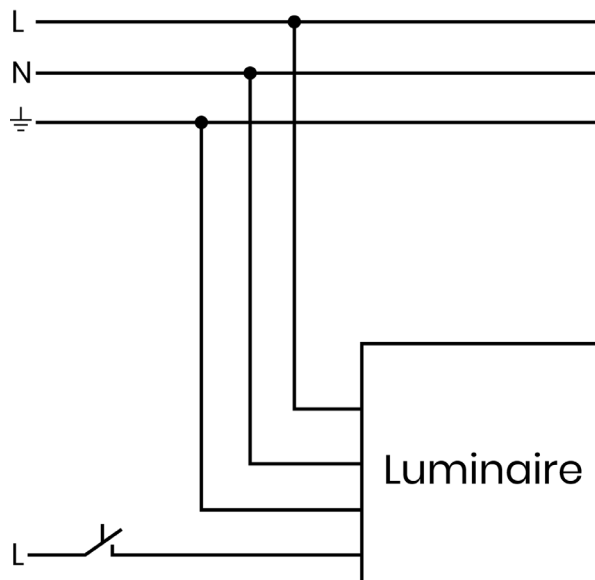
E

SwitchDIM Wiring.

- Live
- Earth
- Neutral
- Variable Live



Example switchDIM circuit
220-240 V
0/50/60 Hz



SubSpace Y

NOTES

SubSpace Y

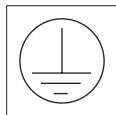
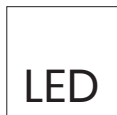
Safety

- This luminaire should be installed by a qualified electrician in compliance with IEE regulations.
- Please ensure mains supply to luminaire is disconnected before installation or maintenance.
 - The light source contained in this luminaire shall only be replaced by the manufacturer or his service agent or a similar qualified person.

Ratings

- This luminaire is designed to operate at 230VAC
-6% +10% 216v to 252v.
DO NOT OPERATE OUTSIDE THIS RANGE.
- This luminaire is only suitable for installation within its rated ingress Protection limits.

Subject to change without notice. Errors and omission excepted.
Always make sure to use the most recent release.



CROWN HOUSE, PLANTATION RD,
BURSCOUGH, LANCASHIRE. L40 8JT
01704 891 333
www.pandaprojects.co.uk