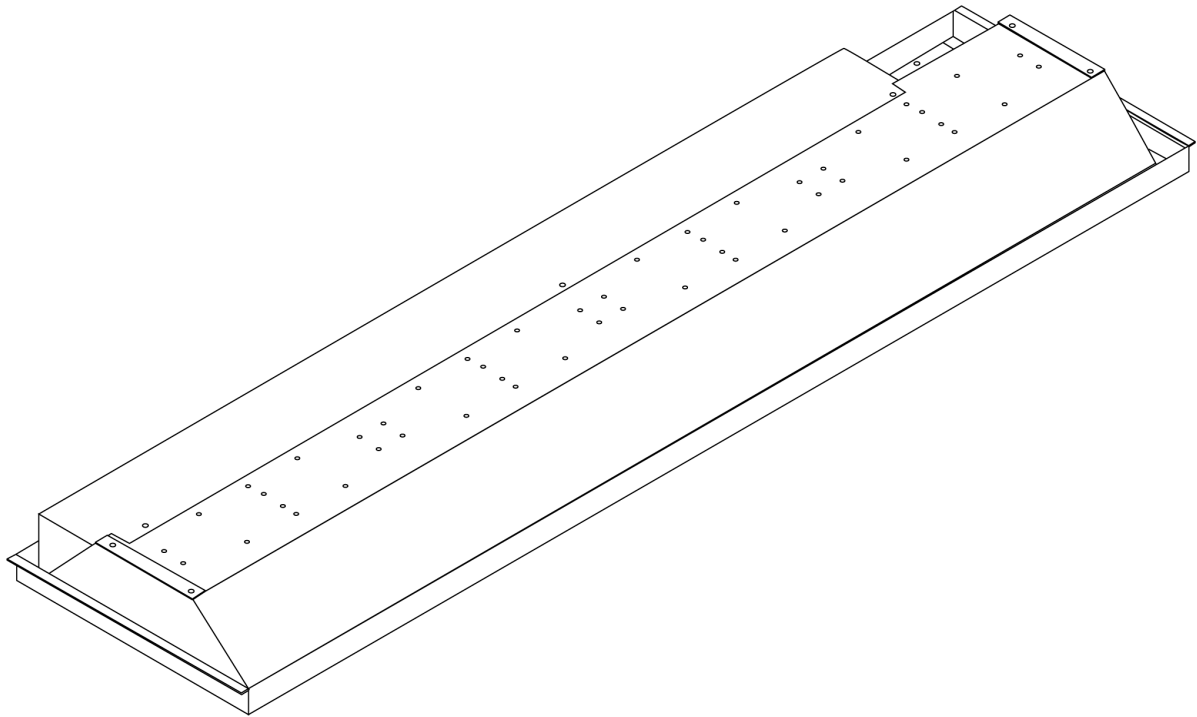


SAS330

Lay-in recessed luminaire for SAS330 ceilings.

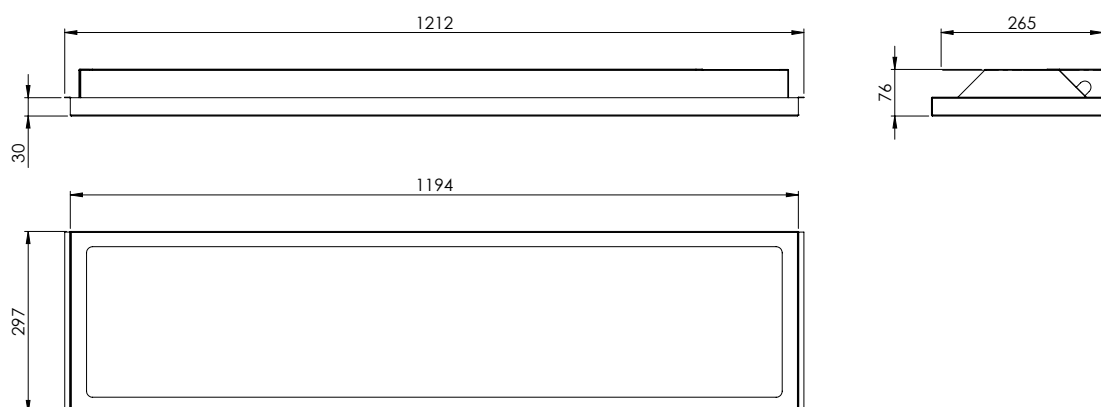
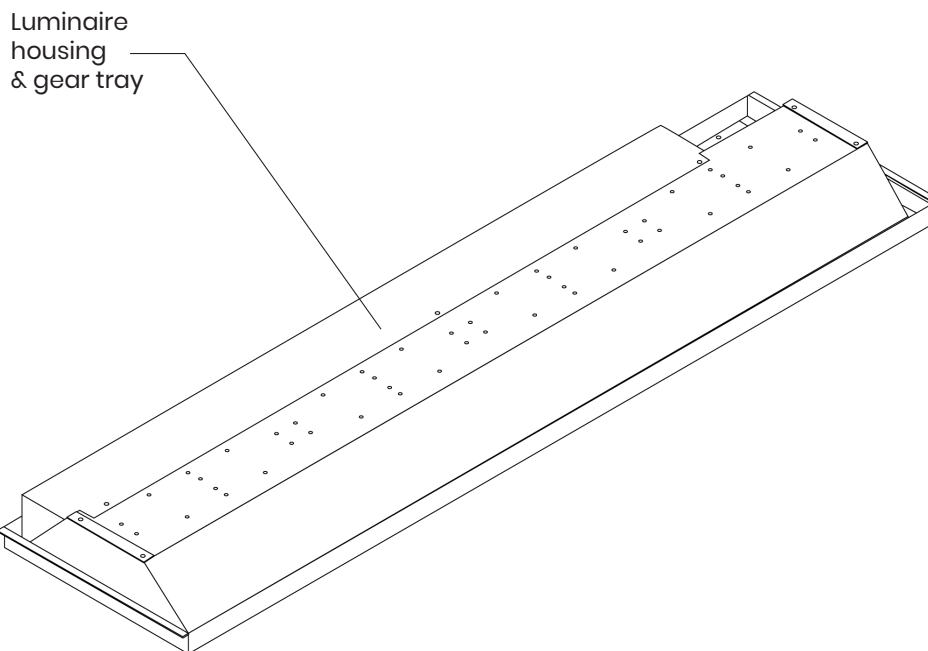


P&A

SAS330

As Standard

- Luminaire.
- Please check thoroughly before installing and report any missing components.

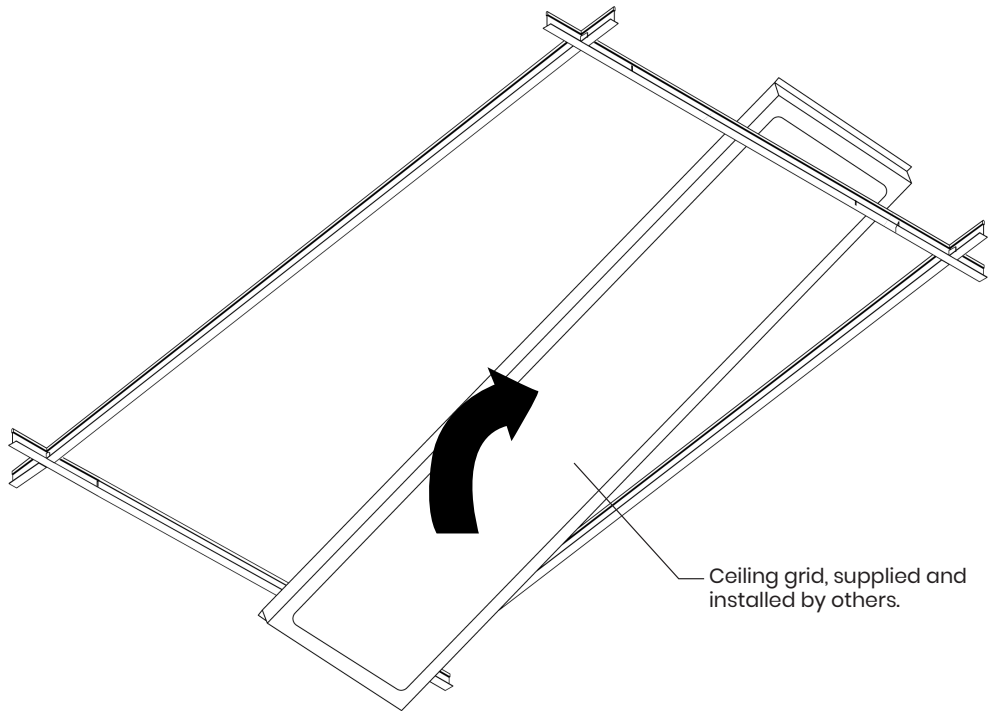


Nominal Diamters					
Products					
	<i>L</i>	<i>L1</i>	<i>W</i>	<i>H</i>	<i>Kg</i>
SAS330	1194	1212	297	76	6.6

SAS330

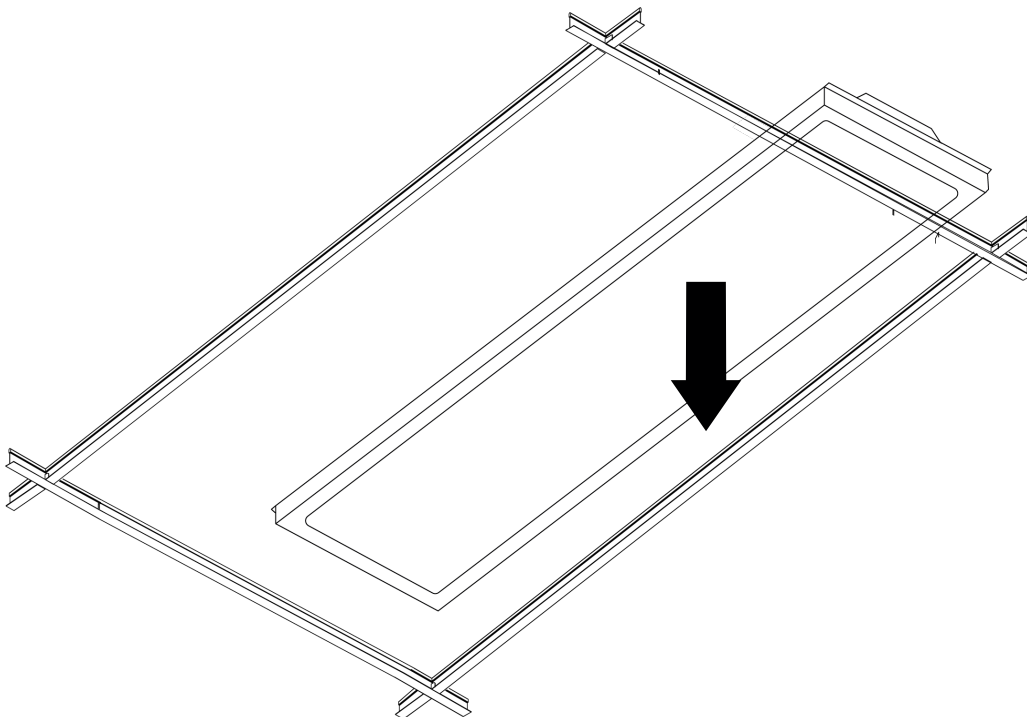
1

“Lift and tilt” Installation.
Angle the luminaire to fit through the aperture.



2

Then lower onto the tee bars/ceiling grid.

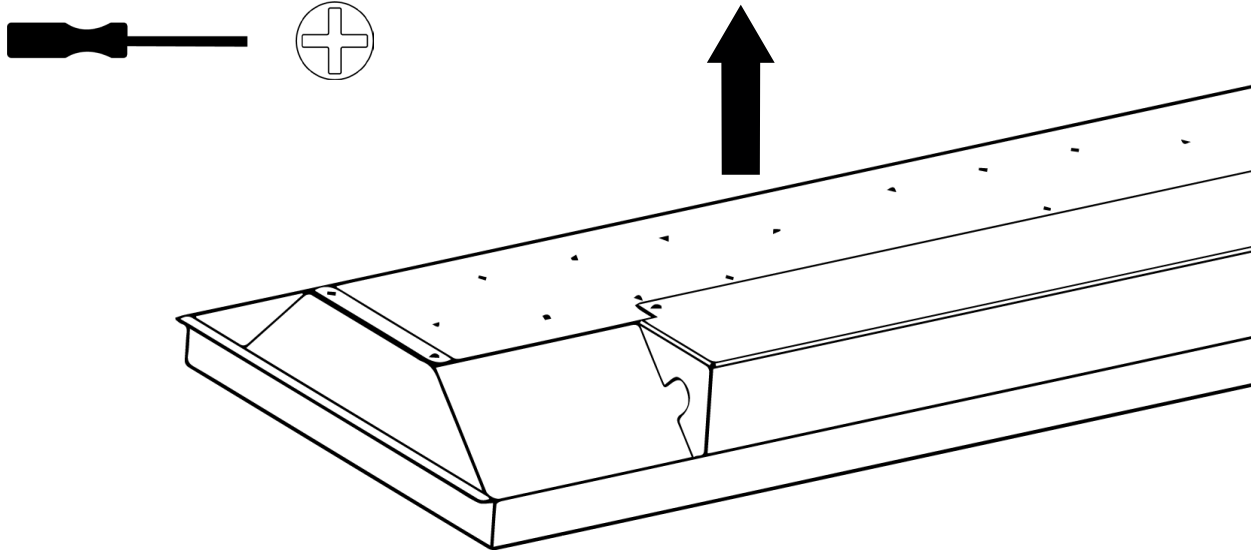


3

SAS330

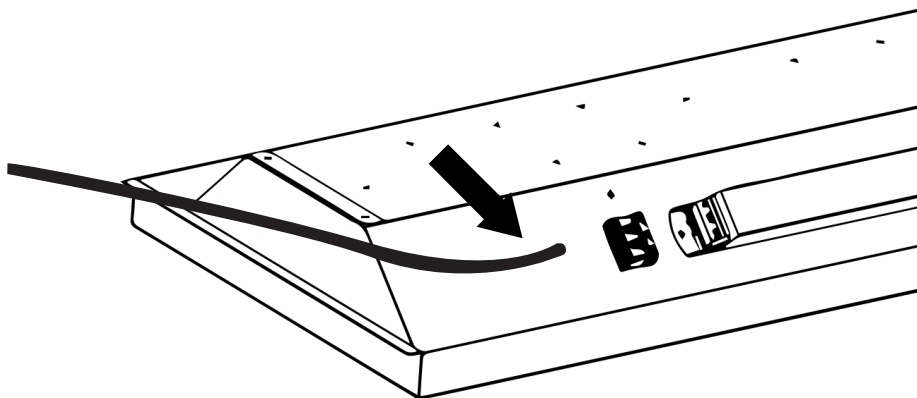
3

Remove terminal cover..



4

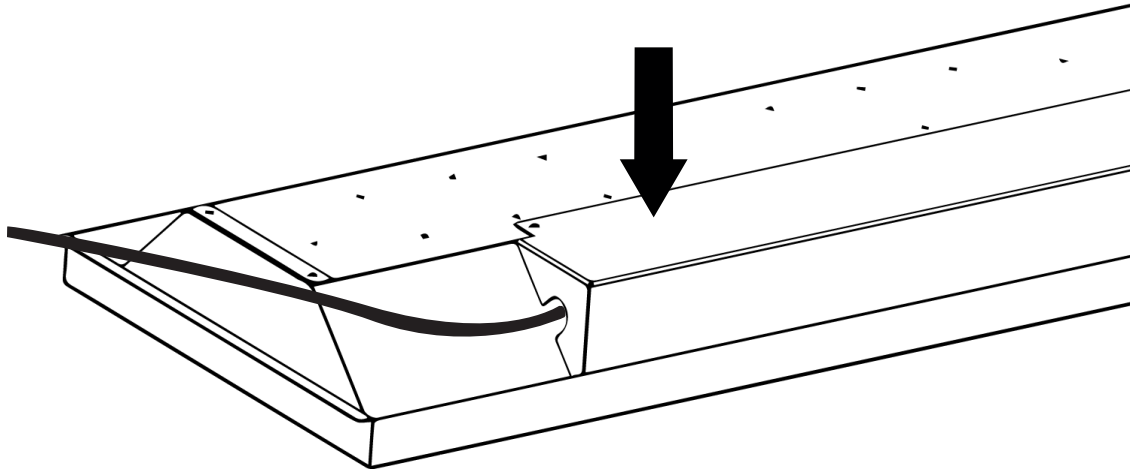
Feed and connect incoming supply (provided by others) to the terminal block (See pages 6 to 8 for wiring diagrams).



SAS330

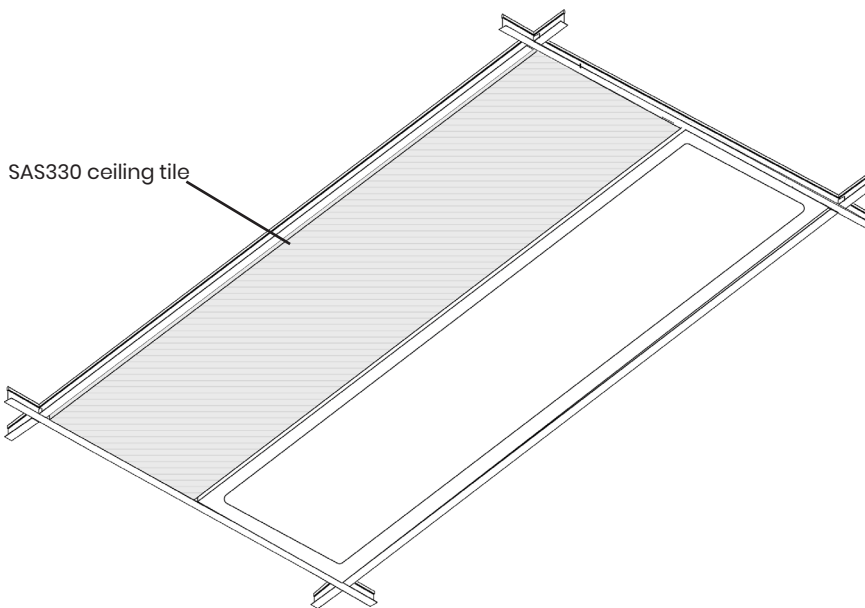
5

Refit terminal cover. .



6

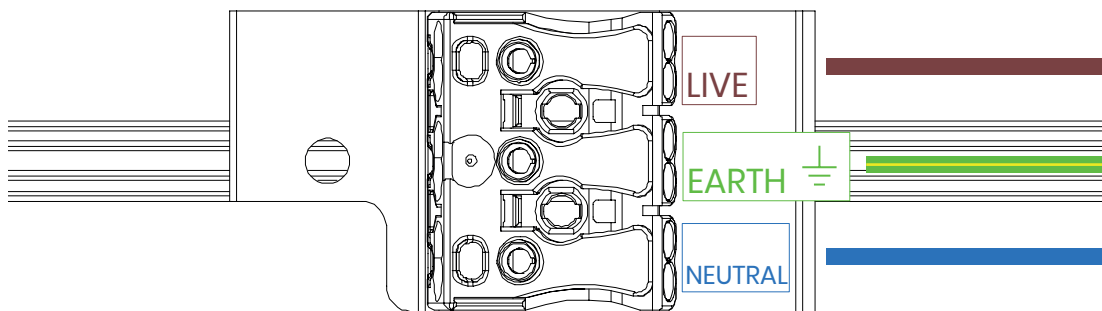
Completed Installation (front view).



SAS330

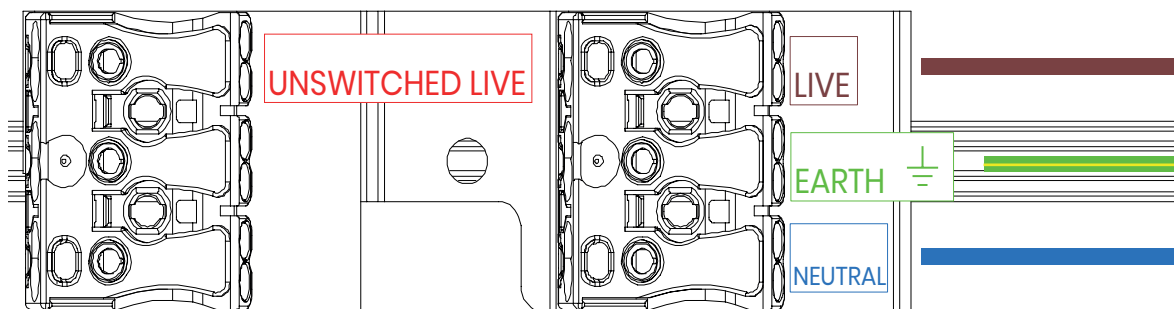
A Fixed Output.

- Live
- Earth
- Neutral



B Fixed Output Emergency Wiring.

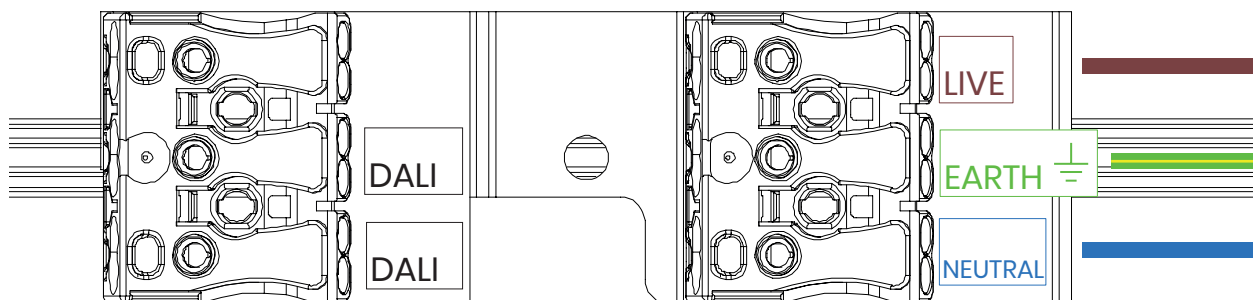
- Live
- Earth
- Neutral
- Unswitched Live



SAS330

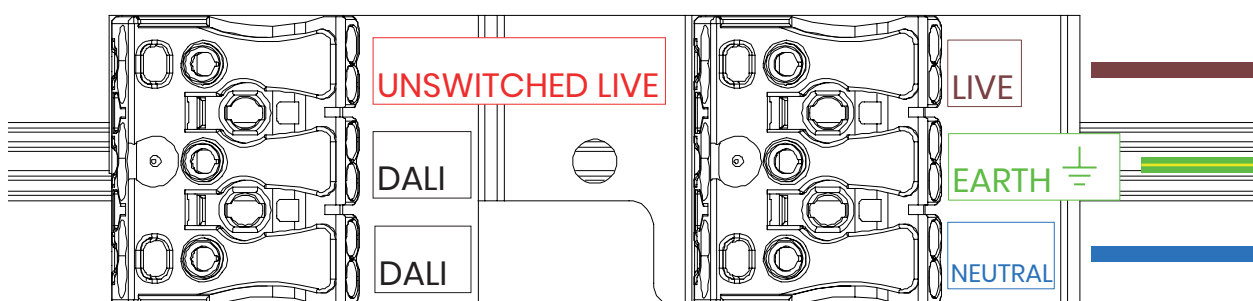
C DALI Wiring.

- Live
- Earth
- Neutral
- DALI
- DALI



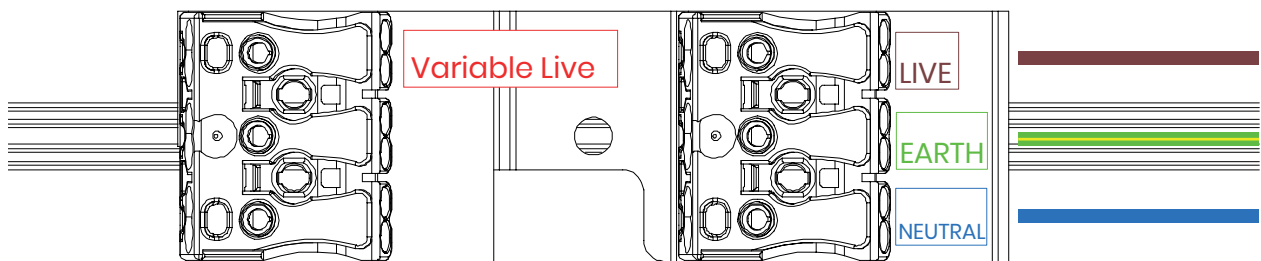
D DALI Emergency Wiring.

- Live
- Earth
- Neutral
- Unswitched Live
- DALI
- DALI

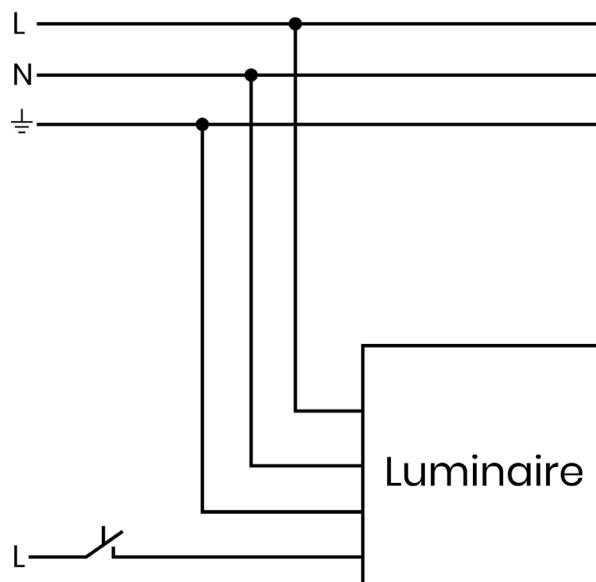


E SwitchDIM Wiring.

- Live
- Earth
- Neutral
- Variable Live



Example switchDIM circuit
220-240 V
0/50/60 Hz



NOTES

NOTES

NOTES

SAS330

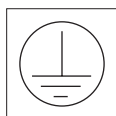
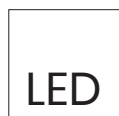
Safety

- This luminaire should be installed by a qualified electrician in compliance with IEE regulations.
- Please ensure mains supply to luminaire is disconnected before installation or maintenance.
 - The light source contained in this luminaire shall only be replaced by the manufacturer or his service agent or a similar qualified person.

Ratings

- This luminaire is designed to operate at 230VAC
-6% +10% 216v to 252v.
DO NOT OPERATE OUTSIDE THIS RANGE.
- This luminaire is only suitable for installation within its rated ingress Protection limits.

Subject to change without notice. Errors and omission excepted.
Always make sure to use the most recent release.



CROWN HOUSE, PLANTATION RD,
BURSCOUGH, LANCASHIRE. L40 8JT
01704 891 333
www.pandaprojects.co.uk