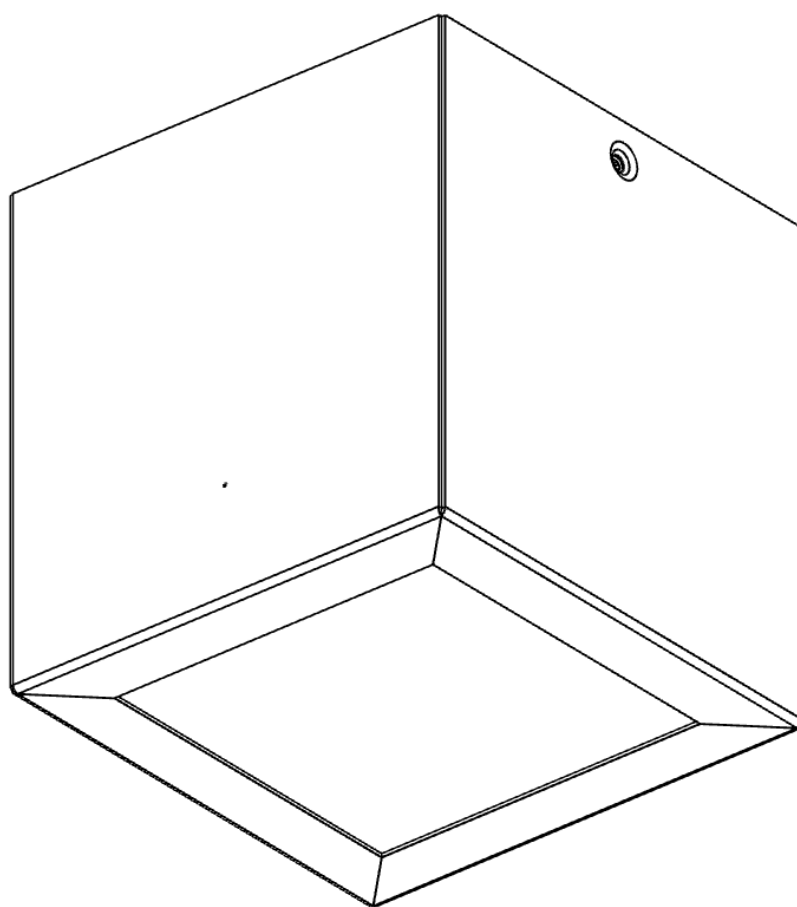


**SQ**

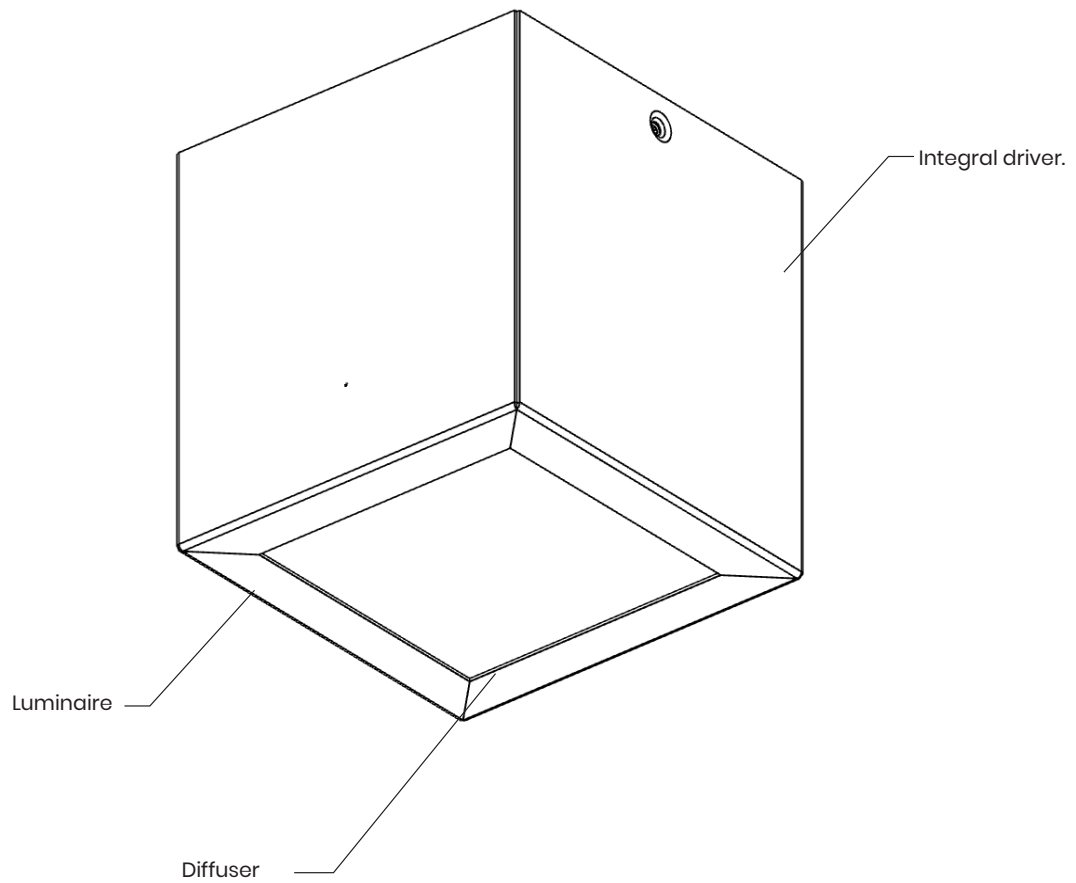
Surface mounted Square downlight



**P&A**

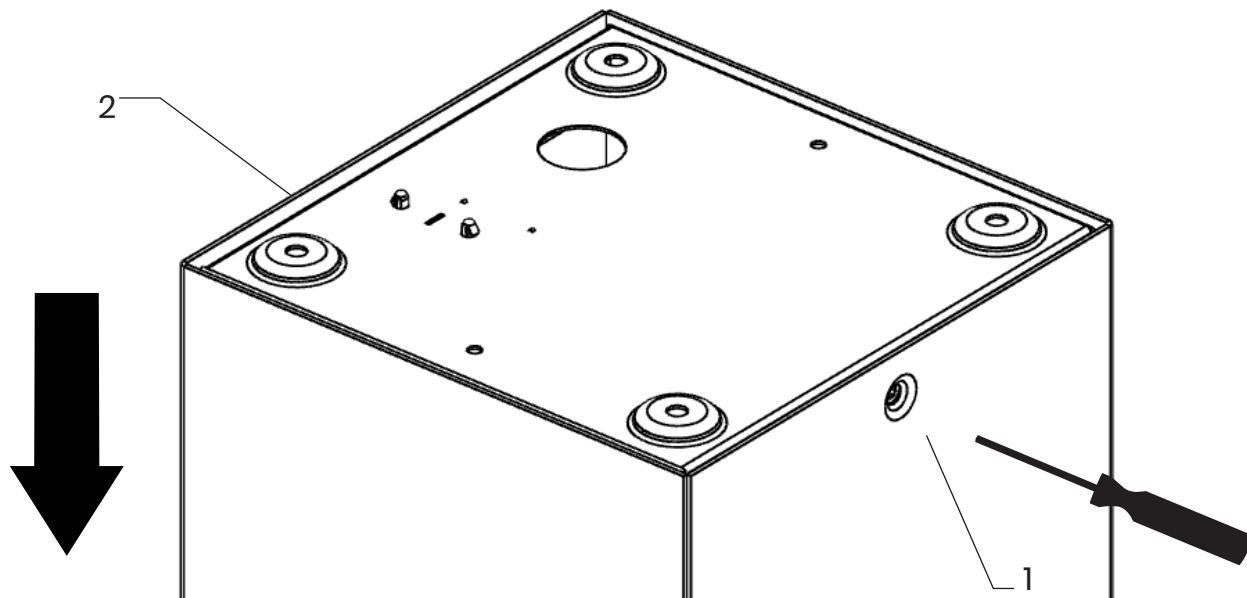
## As Standard

- Integral driver.
- Diffuser
- Please check thoroughly before installing and report any missing components.

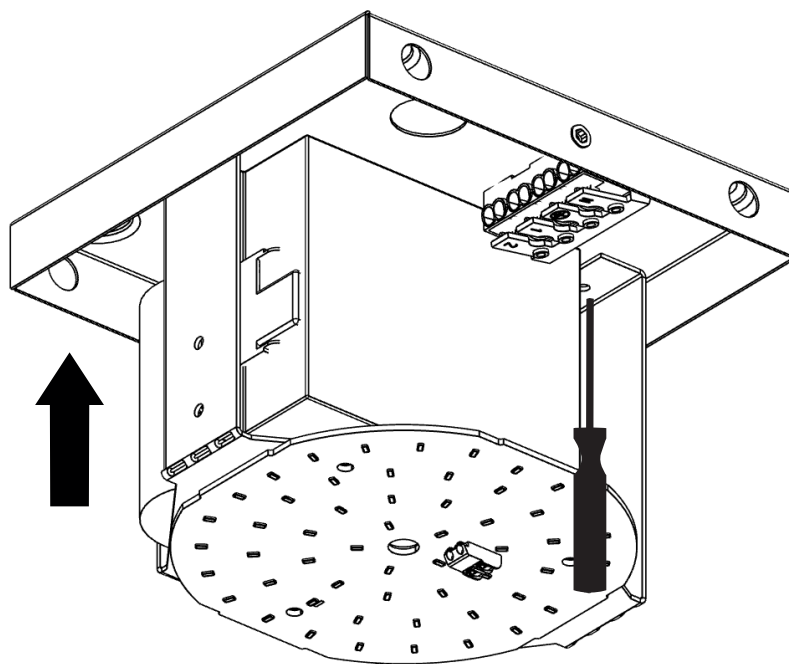


**1**

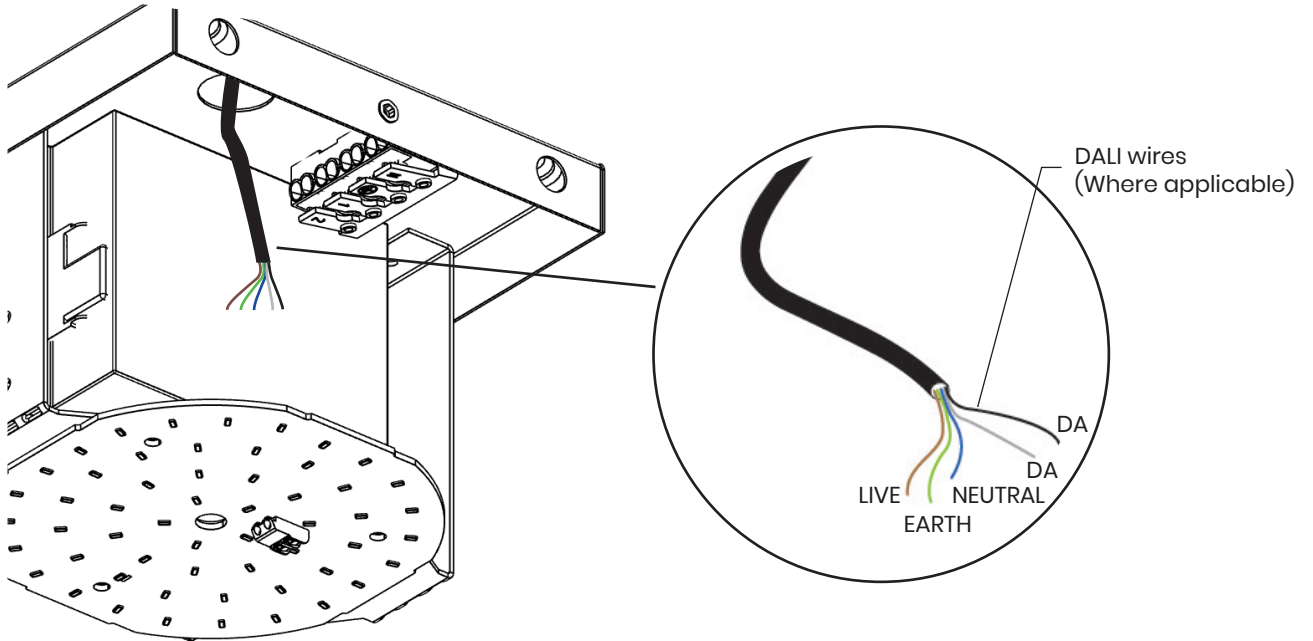
Please remove the luminaire outer housing by un-screwing the two M4 countersunk screws on either side of the luminaire (so the outer casing slides off).

**2**

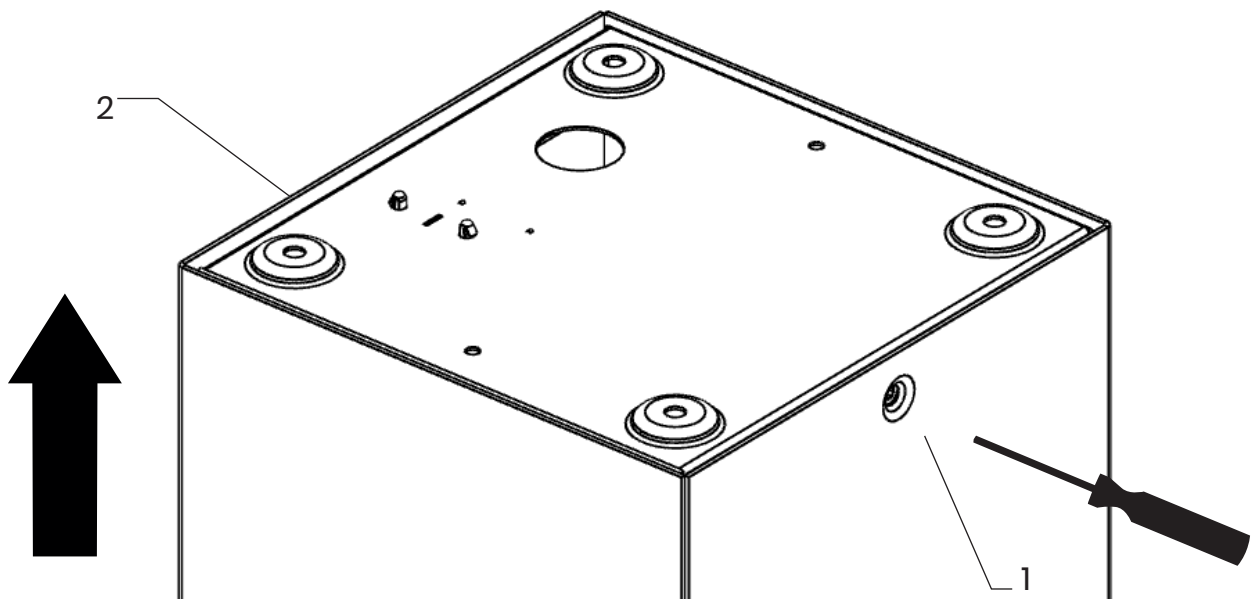
Offer up luminaire to desired surface. Install using appropriate (M5) fixings. (Supplied by others)



- 3** Feed Incoming supply cable (provided by others) through the housing and connect into driver (See pages 6-8 for all wiring diagrams).

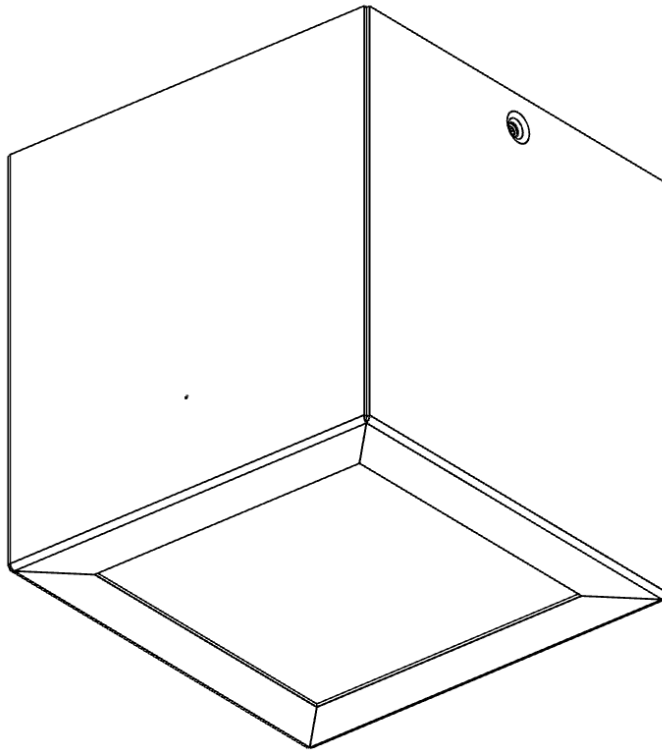


- 4** Once incoming supply cable has been connected. Re attach the outer housing using the two M4 countersunk screws.



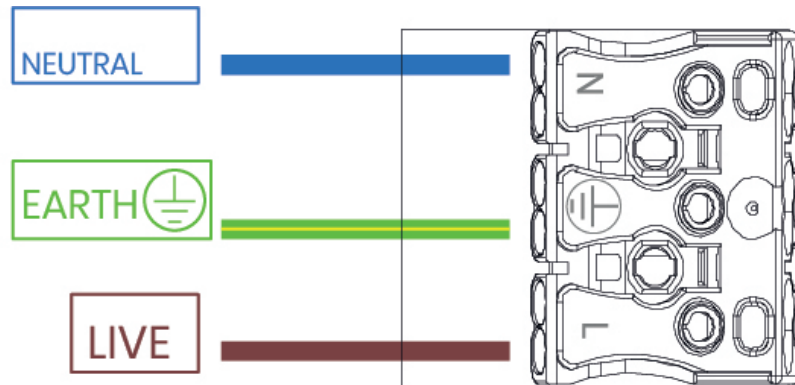
5

Complete installation (Front view).

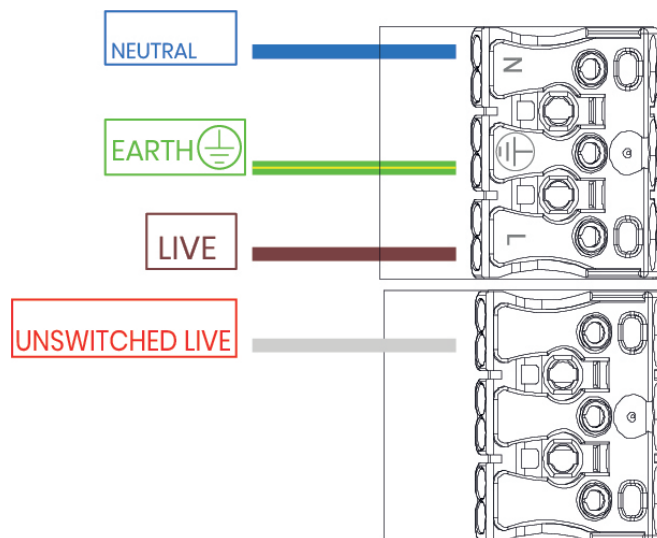


**A****Fixed Output.**

- Neutral
- Earth
- Live

**B****Fixed Output Emergency Wiring.**

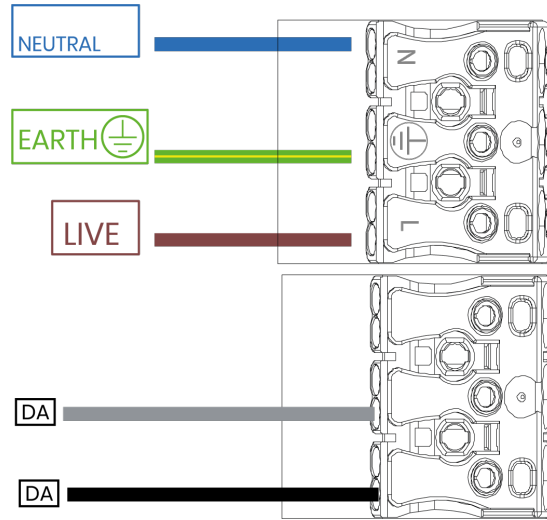
- Neutral
- Earth
- Live
- Unswitched Live



**C**

DAI Wiring.

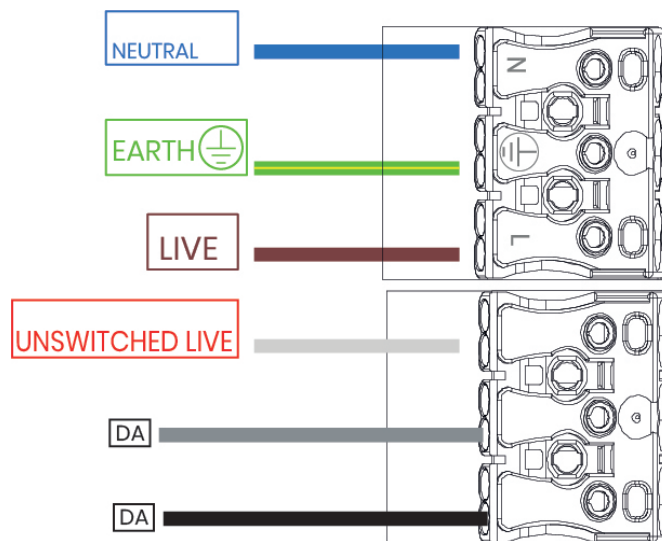
- Neutral
- Earth
- Live
- DAI
- DAI



**D**

DAI Emergency Wiring

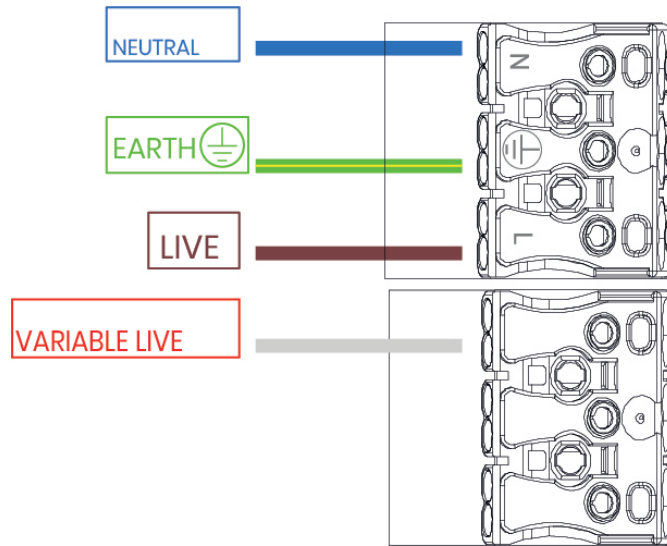
- Neutral
- Earth
- Live
- Unswitched Live
- DAI
- DAI



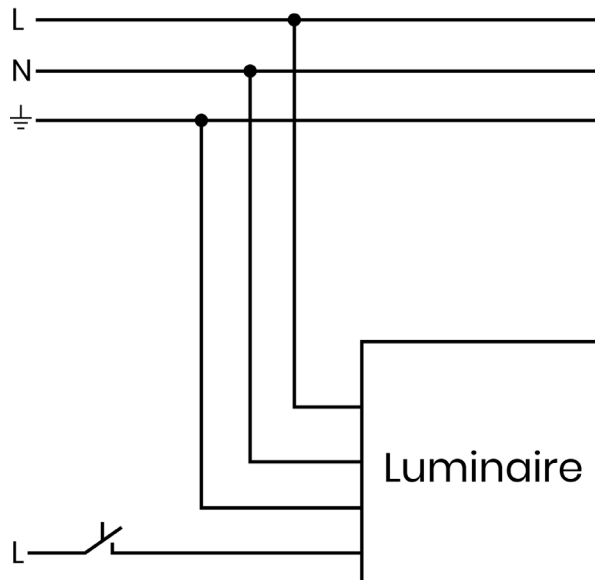
E

SwitchDIM Wiring.

- Neutral
- Earth
- Live
- Variable Live



Example switchDIM circuit  
 220-240 V  
 0/50/60 Hz





NOTES

NOTES

NOTES

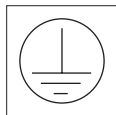
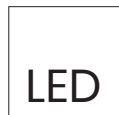
## Safety

- This luminaire should be installed by a qualified electrician in compliance with IEE regulations.
- Please ensure mains supply to luminaire is disconnected before installation or maintenance.
  - The light source contained in this luminaire shall only be replaced by the manufacturer or his service agent or a similar qualified person.

## Ratings

- This luminaire is designed to operate at 230VAC  
-6% +10% 216v to 252v.  
DO NOT OPERATE OUTSIDE THIS RANGE.
- This luminaire is only suitable for installation within its rated ingress Protection limits.

Subject to change without notice. Errors and omission excepted.  
Always make sure to use the most recent release.



CROWN HOUSE, PLANTATION RD,  
BURSCOUGH, LANCASHIRE. L40 8JT  
01704 891 333  
[www.pandaprojects.co.uk](http://www.pandaprojects.co.uk)