



CR-120

Surface

CR-120 is a surface mounted ceiling rose, with a dimension of 121mmØ x 30mm. Designed for all wire P&A suspended luminaires.

- Colour Finishes: White (9016), Black (9005) or Silver (9006). Other RAL colours, available on request.
- Suitable for 3m wire suspension kit.
- Integral terminal blocks for termination of incoming feed.
- Optional supply feed options: Clear, Black or White.
- Custom ceiling rose available on request.

Technical

Product	CR-120
Mounting type	Surface
Standard diameter	121mm
Compatible products	POLO
	DRM
	Halo
	SubSpace TRI
Wire Suspension points	SubSpace Y
	Subspace HEX
	1
Terminal Plate	2
	3
	3 Core
Optional Supply Feed	5 Core
	6 Core
	Clear
	White
	Black

P&A CR-120

Luminaire Order Builder

CR-120

STEP 1. Ceiling Rose	STEP 2. Wires suspensions	STEP 3. Terminal	STEP 4. Finish	STEP 5. Optional Supply Feed
<p>CR-120 Ceiling rose</p>	<p>1S Single Wire suspension</p> <p>3S Triple Wire suspensions</p> <p>Z Custom wire suspensions</p>	<p>3C 3 Core Wire terminal</p> <p>5C 5 Core Wire terminal</p> <p>6C 6 Core Wire terminal</p>	<p>W RAL9016M</p> <p>B RAL9005</p> <p>S RAL9006</p> <p>Z Custom</p>	<p>3C-C-3M 3 Core, Clear, 3m</p> <p>3C-C-ZM 3 Core, Clear, Custom length</p> <p>5C-C-3M 5 Core, Clear, 3m</p> <p>5C-C-ZM 5 Core, Clear, Custom length</p> <p>6C-C-3M 6 Core, Clear, 3m</p> <p>6C-C-ZM 6 Core, Clear, Custom length</p> <p>3C-B-3M 3 Core, Black, 3m</p> <p>3C-B-ZM 3 Core, Black, Custom length</p> <p>5C-B-3M 5 Core, Black, 3m</p> <p>5C-B-ZM 5 Core, Black, Custom length</p> <p>6C-B-3M 6 Core, Black, 3m</p> <p>6C-B-ZM 6 Core, Black, Custom length</p> <p>3C-W-3M 3 Core, White, 3m</p> <p>3C-W-ZM 3 Core, White, Custom length</p> <p>5C-W-3M 5 Core, White, 3m</p> <p>5C-W-ZM 5 Core, White, Custom length</p> <p>6C-W-3M 6 Core, White, 3m</p> <p>6C-W-ZM 6 Core, White, Custom length</p>

Custom wire suspensions may require multiple suspension points. Please contact P&A for more details.

Example Code: CRI2013CW3CW3M



Crown House, Plantation Rd, Burscough, Lancashire, L40 8JT
01704 891333
sales@pandaprojects.co.uk
www.pandaprojects.co.uk

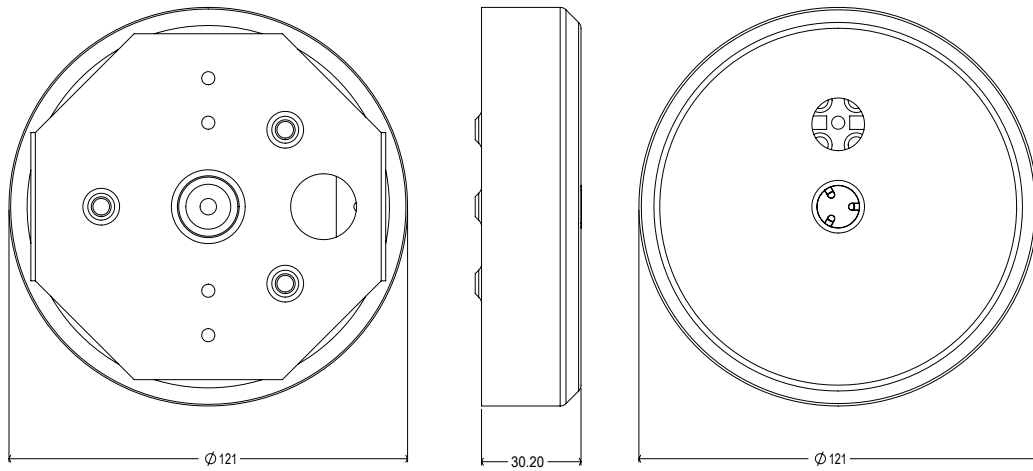
Datasheet Code: PA-10331-0



BS EN60598-1:2015
ISO 9001 Certification



P&A CR-120



Dimensions

DØ	H
121	30

All dimensions are measured in millimetres (mm)



Finish

RAL	Code	Colour Swatch
White	9016	
Black	9005	
Silver	9006	
Custom*	Custom*	

*Custom Colours upon request

IP20
IP20
Protection of fingers against access to hazardous parts, and protection against objects larger than 12.5mm



Safety Class
Class 1 Safety chassis is connected to earth with a separate terminal, instead of via the mains cable



Warranty
5 year Guarantee



Crown House, Plantation Rd, Burscough, Lancashire, L40 8JT
01704 891333
sales@pandaprojects.co.uk
www.pandaprojects.co.uk

Datasheet Code: PA-10331-0

UK CA CE BS EN60598-1:2015 ISO 9001 Certification

