



Flex Suspended

Wire + Flex Suspended

CR-75

Surface

CR-75 is a surface mounted ceiling rose, with a dimension of 74mmØ x 27mm. Designed for all wire P&A suspended luminaires.

- Colour Finishes: White (9016), Black (9005) or Silver (9006). Other RAL colours, available on request.
- Suitable for 3m wire suspension kit.
- Incoming supply feed options: Clear, Black or White.
- Optional incoming feed (Supply feed provided by others as standard).

Technical

Product	CR-75
Mounting type	Surface
Standard diameter	74mm
Compatible products	TL Range*
	SubSpace Range
	POLO
	HALO
	SubSpace HEX
Wire/Flex Suspension points	Space 2
	SSP
	1
Optional Supply Feed	Clear
	White
	Black

* Flex Suspended supplied as standard for all of the TL Range.

P&A CR-75

Luminaire Order Builder

CR-75

STEP 1. Ceiling Rose	STEP 2. Wire or Flex suspension	STEP 3. Finish	STEP 4. Optional Supply Feed
<p>CR-75 Ceiling rose</p>	<p>1S Single Wire suspension (Includes incoming flex feed point)</p> <p>1F Flex suspension*</p>	<p>W RAL9016M</p> <p>B RAL9005</p> <p>S RAL9006</p> <p>Z Custom</p>	<p>3C-C-3M 3 Core, Clear, 3m</p> <p>3C-C-ZM 3 Core, Clear, Custom length</p> <p>5C-C-3M 5 Core, Clear, 3m</p> <p>5C-C-ZM 5 Core, Clear, Custom length</p> <p>6C-C-3M 6 Core, Clear, 3m</p> <p>6C-C-ZM 6 Core, Clear, Custom length</p> <p>3C-B-3M 3 Core, Black, 3m</p> <p>3C-B-ZM 3 Core, Black, Custom length</p> <p>5C-B-3M 5 Core, Black, 3m</p> <p>5C-B-ZM 5 Core, Black, Custom length</p> <p>6C-B-3M 6 Core, Black, 3m</p> <p>6C-B-ZM 6 Core, Black, Custom length</p> <p>3C-W-3M 3 Core, White, 3m</p> <p>3C-W-ZM 3 Core, White, Custom length</p> <p>5C-W-3M 5 Core, White, 3m</p> <p>5C-W-ZM 5 Core, White, Custom length</p> <p>6C-W-3M 6 Core, White, 3m</p> <p>6C-W-ZM 6 Core, White, Custom length</p>

* Supplied as standard for all of the TL Range.

Example Code: CR751S3CW3CB3M

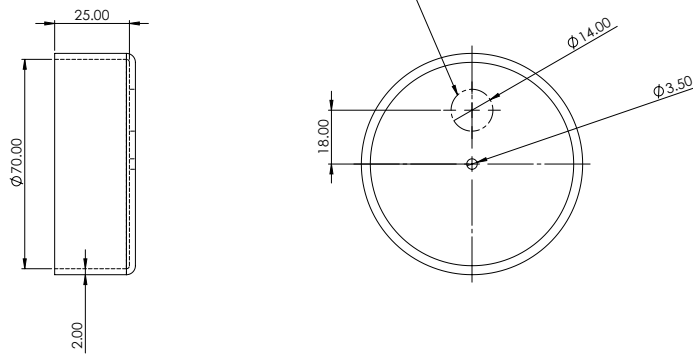


Crown House, Plantation Rd, Burscough, Lancashire, L40 8JT
01704 891333
sales@pandaprojects.co.uk
www.pandaprojects.co.uk

Datasheet Code: PA-10759-0



PA CR-75



Dimensions

DØ	H
74	27
Custom*	Custom*

All dimensions are measured in millimetres (mm)



Finish

RAL	Code	Colour Swatch
White	9016	
Black	9005	
Silver	9006	
Custom*	Custom*	

*Custom Colours upon request

Ancillaries

Wago Fast connectors	Code	WAGO Fast Connector 3-Way	WAGO Fast Connector 5-Way
3-Way Connector	FC3		
5-Way Connector	FC5		

IP20
IP20
Protection of fingers against access to hazardous parts, and protection against objects larger than 12.5mm



Safety Class
Class 1 Safety chassis is connected to earth with a separate terminal, instead of via the mains cable



Warranty
5 year Guarantee



Crown House, Plantation Rd, Burscough, Lancashire, L40 8JT
01704 891333
sales@pandaprojects.co.uk
www.pandaprojects.co.uk

Datasheet Code: PA-10759-0

UK CA CE BS EN60598-1:2015 ISO 9001 Certification

