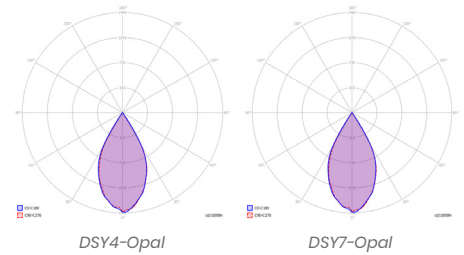


Daisy

Recessed/Surface/Track

Daisy is a slimline linear LG7 UGR<19, dark light luminaire, available in range of standard sizes. Its unique compact design, with integral driver, provides efficiencies of up to 153lm/W.

- Efficacy of up to 153 lm/W.
- Colour temperatures: 3000°k and 4000°k as standard.
- Colour Finishes: White (9016) or Black (9005) Louvre & bevel finishes as standard.
- Available in 4 or 7 pocket modules.
- Dimming option: DALI 1-100%.
- Available with Low profile track adaptor. Compatible with Global trac.
- Recessed, surface mounted or wire suspended options.
- Pre flexed with 1m.
- Special projects, can be combined with SubSpace 50 using recessed, surface and suspended versions.
- CRI 80 as standard, CRI 90 available on request.



Technical

Product	DSY4 DSY7
Mounting type	Recessed
	Surface
	Wire Suspended
Lumens	Track
	542 – 1436 Lm
Efficacy	Up to 153 lm/W
Colour Temperature	Warm White (3k)
	Neutral White (4k)
Optics	Clear diffuser
	Opal diffuser
Beam Angle	50°
	80°
Dimming	DALI 1-100%, Fixed Output
Emergency	Not Available
Rendering	Ra80+ (Standard)
IP Rating	IP20
Safety Class	Class 1
MacAdam	SDCM 3
L70/B10	>50K

Luminaire Order Builder

DSY4 (4 pocket module- 165/175mm)

STEP 1. Select Mounting	STEP 2. Current	STEP 3. Optics	STEP 4. Beam	STEP 5. CCT	STEP 6. Control	STEP 7. Finish	STEP 8. Emergency
R Recessed	15 150mA 542 Lm - 4.1W	C Clear Diffuser	50 50° Degree beam	3K 3000K	FO Fixed Output	W RAL9016 Matt White Louvre & Trim	- Not Available
SF Surface	20 200mA 723 Lm - 5.5W	O Opal Diffuser	80 80° Degree beam	4K 4000K	A1 DALI 1-100% Dim	B RAL9005 Matt Black Louvre & Trim	
WS Wire Suspended	25 250mA 904 Lm - 6.9W						
TRK Track Mounted	30 300mA 1084 Lm - 8.3W						

All electrical and optical data subject to ±10% tolerances.
Values based on 4000K Colour temperature, CRI80, Clear Diffuser and Black louvre.

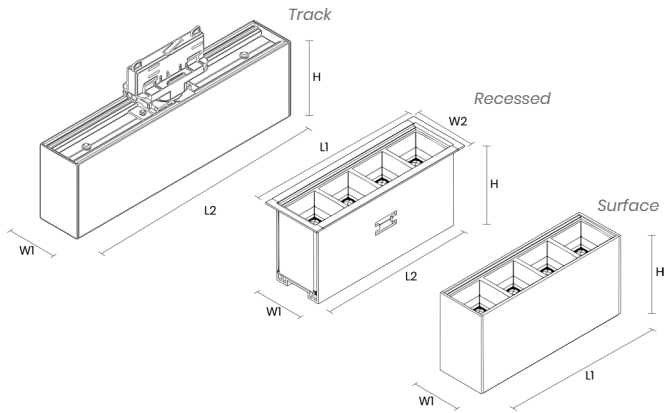
Example Code: DSY4R15C504KA1B

DSY7 (7 pocket module - 285/295mm)

STEP 1. Select Mounting	STEP 2. Current	STEP 3. Optics	STEP 4. Beam	STEP 5. CCT	STEP 6. Control	STEP 7. Finish	STEP 8. Emergency
R Recessed	25 250mA 897 Lm - 6W	C Clear Diffuser	50 50° Degree beam	3K 3000K	FO Fixed Output	W RAL9016 Matt White Louvre & Trim	- Not Available
SF Surface	30 300mA 1077 Lm - 7.1W	O Opal Diffuser	80 80° Degree beam	4K 4000K	A1 DALI 1-100% Dim	B RAL9005 Matt Black Louvre & Trim	
WS Wire Suspended	35 350mA 1256 Lm - 8.2W						
TRK Track Mounted	40 400mA 1436 Lm - 9.4W						

All electrical and optical data subject to ±10% tolerances.
Values based on 4000K Colour temperature, CRI80, Clear Diffuser and White louvre.

Example Code: DSY7SF30C804KA1B



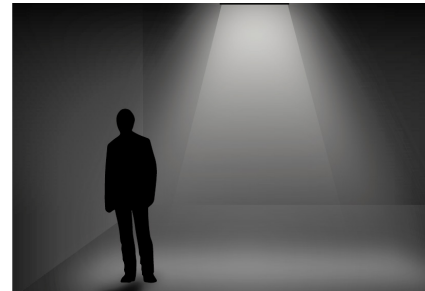
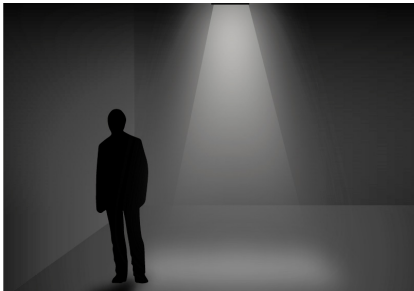
Dimensions

L1	L2	W1	W2	H	Finish	Code	Colour Swatch
165 (DSY4-SF/WS/TRK)	N/A	50	N/A	85	White	9016M	
175 (Recessed DSY4)	160	60	50	80	Black	9005	
285 (DSY7-SF/WS/TRK)	N/A	50	N/A	85			
295 (Recessed DSY7)	285	60	50	80			

All dimensions are measured in millimetres (mm)

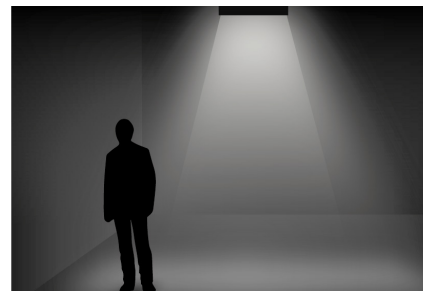
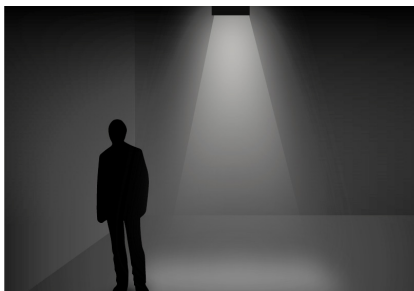
Distribution types

Daisy4 mounted within DS4 recessed housing **Daisy7 mounted within DS7 recessed housing**



Distribution types

Daisy4 mounted within DS4 surface housing **Daisy7 mounted within DS7 surface housing**



IP20
IP20
Protection of fingers against access to hazardous parts, and protection against objects larger than 12.5mm



Safety Class
Class 1 Safety chassis is connected to earth with a separate terminal, instead of via the mains cable



Warranty
5 year Guarantee