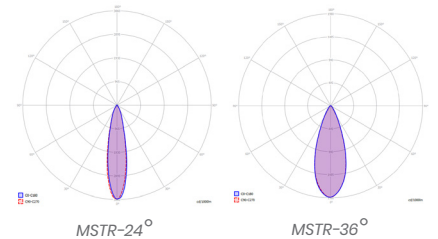


M-STAR

Recessed

M-Star is a recessed decorative downlight, with individually adjustable LED's. Available as single, twin or triple unit, with a choice of lumen packages and beam angles to suit most applications. It can create mood and contrast within an area.

- Efficacy of up to 104 lm/W.
- Colour Rendering: Ra92 as standard.
- Colour temperatures: 3000°k or 4000°k as standard.
- Colour Finishes: White (9016), Black (9005). Other RAL colours, available on request.
- Available in 24° beam or 36° beam angles to suit your application.
- Dimming options: DALI 1-100% Dim, DSI, Switch Dim, 1-10v.
- Wireless control options: Casambi.
- Emergency options: Standard 3hr, Self-Test, Dali addressable or 3hr Dali Wireless Sentinel.



Technical

Product	M-STAR
Mounting type	Recessed
Lumens	356 & 3810 Lm
Efficacy	Up to 104 lm/W
Colour Temperature	Warm White (3K) Neutral White (4K)
Beam Angles	24° 36°
Dimming	DALI 1-100%, DSI, 1-10V, Casambi
Emergency	3 hour, DALI, Self-Test, DALI Wireless Sentinel
Rendering	Ra92
IP Rating	IP20
Safety Class	Class 1
MacAdam	SDCM 3
L70/B10	>50K

Remote driver only on all variants

Luminaire Order Builder

MSTAR7 (Low Output version)

STEP 1. Select Current**	STEP 2. Optics	STEP 3. Length	STEP 4. CCT	STEP 5. Control	STEP 6. Finish	STEP 7. Emergency
25 250mA 890 Lm - 8.8W	24 24° degree beam	90 Single Lens body (890 Llm)	3K 3000K	FO Fixed Output	W RAL9016M	E3 Standard 3 Hour remote
	36 36° degree beam	150 Twin Lens Body (1780 Llm)	4K 4000K	A1 DALI 1-100% Dim	B RAL9005	ED DALI/EMPRO remote
		210 Triple Lens Body (2670 Llm)		A2 DSI	Z CUSTOM	ES Self-Test remote
				A3 Switch Dim		EW 3 hour DALI Wireless Sentinel
				A4 1-10v		
				A5 Casambi		

All electrical and optical data subject to ± 10% tolerances.

**Lumen output based on a single lens, For twin and triple lens please multiply this base figure..

Remote driver on all body variants

Example Code: MSTAR72524904KAIWE3

MSTAR12 (High output version)

STEP 1. Select Current**	STEP 2. Optics	STEP 3. Length	STEP 4. CCT	STEP 5. Control	STEP 6. Finish	STEP 7. Emergency
35 350mA 1270 Lm - 12.2W	24 24° degree beam	90 Single Lens body (1270 Llm)	3K 3000K	FO Fixed Output	W RAL9016M	E3 Standard 3 Hour remote
	36 36° degree beam	150 Twin Lens Body (2540 Llm)	4K 4000K	A1 DALI 1-100% Dim	B RAL9005	ED DALI/EMPRO remote
		210 Triple Lens Body (3810 Llm)		A2 DSI	Z CUSTOM	ES Self-Test remote
				A3 Switch Dim		EW 3 hour DALI Wireless Sentinel
				A4 1-10v		
				A5 Casambi		

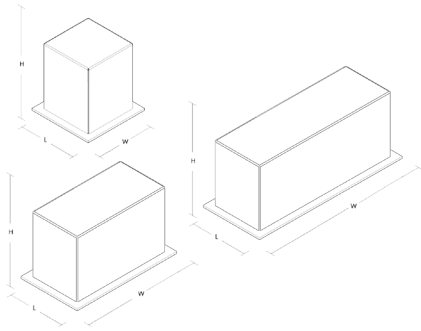
All electrical and optical data subject to ± 10% tolerances.

**Lumen output based on a single lens, For twin and triple lens please multiply this base figure..

Remote driver on all body variants

Example Code: MSTAR121024904KAIWE3

P&A M-STAR



Dimensions

L	W	H	Finish	Code	Colour Swatch
90	90	100	White	9016M	
150	90	100	Black	9005	
210	90	100	Custom*	Custom*	

All dimensions are measured in millimetres (mm)

*Custom Colours upon request

M-STAR Variants

Single Lens Body



Twin Lens Body

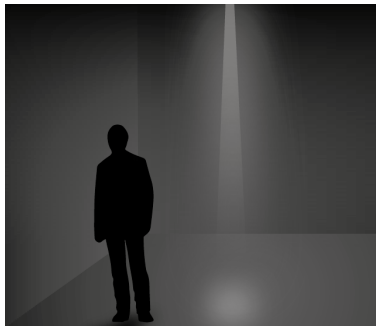


Triple Lens Body

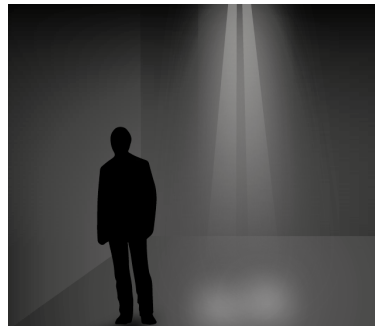


Distribution types

36° Single Lens Body



36° Twin Lens Body



36° Triple Lens Body



IP20

IP20
Protection of fingers against access to hazardous parts, and protection against objects larger than 12.5mm



Safety Class
Class 1 Safety: chassis is connected to earth with a separate terminal, instead of via the mains cable



Warranty
5 year Guarantee



Crown House, Plantation Rd, Burscough, Lancashire, L40 8JT
01704 891333
sales@pandaprojects.co.uk
www.pandaprojects.co.uk

Datasheet Code: PA-10038-0



BS EN60598-1:2015
ISO 9001 Certification

