

SAS330

Recessed

SAS330 is a lay in recessed office luminaire, designed for installation into a suspended SAS 330 ceiling.

- Efficacy of up to 124lm/W
- LG7 Compliant, UGR<19 when used with microprism diffuser.
- Colour temperatures: 3000°k or 4000°k.
- Colour Finishes: White (9016) as standard, Other RAL colours available upon request.
- Dimming options: DALI 1-100% Dim, DSI, Switch Dim, 1-10v.
- Wireless control options: Casambi.
- Emergency options: Standard 3hr, Self-Test, Dali addressable or 3hr Dali Wireless Sentinel.

Technical

Product	SAS330
Mounting type	Recessed
Lumens	4271 - 6407 Lm
Efficacy	Up to 124 Lm/W
Colour Temperature	Warm White (3K) Neutral White (4K)
Optics	Opal diffuser Microprism (UGR<19)
Control	DALI 1-100%, DSI, 1-10V, Casambi, Fixed Output
Emergency	3 hour, DALI, Self-Test, DALI Wireless Sentinel
Rendering	Ra80
IP Rating	IP20
Safety Class	Class 1
MacAdam	SDCM 3
L70/B10	>50K

P&A SAS330

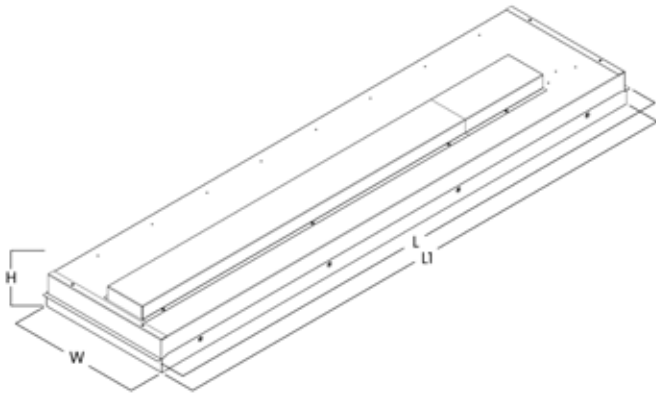
Luminaire Order Builder

SAS330

STEP 1. Current	STEP 2. Optics	STEP 3. CCT	STEP 4. Control	STEP 5. Finish	STEP 6. Emergency
30 300mA 4271 Lm- 34.5W	O Opal Diffuser	3K 3000K	FO Fixed Output	W RAL9016M	E3 Standard 3 Hour
35 350mA 4983 Lm- 40.2W	M Microprism UGR19	4K 4000K	A1 DALI 1-100% Dim	Z Custom	ED DALI/EMPRO
40 400mA 5695 Lm- 45.9W			A2 DSI		ES Self-Test
45 450mA 6407 Lm- 51.7W			A3 Switch Dim		EW 3 hour DALI Wireless Sentinel
			A4 1-10v		
			A5 Casambi		

All electrical and optical data subject to $\pm 10\%$ tolerances.
 Values based on 4000K Colour temperature, Microprism diffuser and DALI driver.

Example Code: SAS3301504KA1WE3



Dimensions

L	LI	W	H
1212	1194**	297**	102

Finish

RAL	Code	Colour Swatch
White	9016M	
Custom*	Custom*	

All dimensions are measured in millimetres (mm)
 **Dimensions are for SAS-330 Ceiling with 3mm foam gasket

*Custom Colours upon request

IP20

IP20
 Protection of fingers against access to hazardous parts, and protection against objects larger than 12.5mm



Safety Class
 Class I Safety chassis is connected to earth with a separate terminal, instead of via the mains cable



Warranty
 5 year Guarantee



Crown House, Plantation Rd, Burscough, Lancashire, L40 8JT
 01704 891333
 sales@pandaprojects.co.uk
 www.pandaprojects.co.uk

Datasheet Code: PA-10711-0



BS EN60598-1:2015
 ISO 9001 Certification

