

Space 2

Surface

Space 2 is a contemporary surface mounted luminaire with a streamlined appearance, creates a perfect finish to modern offices. Available in various optics and outputs, to suit your needs. Supplied in Direct as standard.

- Efficacy of up to 119 lm/W
- LG7 Compliant, UGR<19 when used with microprism diffuser.
- Colour temperatures: 3000°k, 4000°k.
- Colour Finishes: White (9016) as standard. Other RAL colours, available on request.
- Can be continuously mounted with infill sections
- Dimming options: DALI 1-100% Dim, DSI, Switch Dim, 1-10v.
- Wireless control options: Casambi.
- Options: PIR sensor.
- Emergency options: Standard 3hr, Self-Test, Dali addressable or 3Hr Dali Wireless Sentinel.

Technical

Product	Space 2
Mounting type	Surface
Standard Lengths	650mm
	1200mm
	1500mm
Lumen	1448 - 5570 Lm
Efficacy	Up to 119 Lm/W
Colour Temperature	Warm White (3K)
	Neutral White (4K)
Optics	Opal diffuser
	Microprism (UGR<19)
Control	DALI 1-100%, DSI, 1-10V, Casambi, Fixed output
Emergency	3 hour, DALI, Self-Test, Dali Wireless Sentinel
Rendering	Ra80+
IP Rating	IP20
Safety Class	Class 1
MacAdam	SDCM 3
L70/B10	>50K

P&A Space 2

Luminaire Order Builder

Space2-SF-6 (650mm)

STEP 1. Select Current	STEP 2. Optics	STEP 3. CCT	STEP 4. Control	STEP 5. Finish	STEP 6. Options	STEP 7. Emergency
30 300mA 1448 Lm -12.2W	O Opal Diffuser	3K 3000K	FO Fixed Output	W RAL9016M	PIR Passive Infrared sensor	E3 Standard 3 Hour
35 350mA 1690 Lm - 14.2W	M Microprism UGR<19	4K 4000K	A1 DALI 1-100% Dim	B RAL9005		ED DALI/EMPRO
40 400mA 1931 Lm -16.2W			A2 DSI	S RAL9006		ES Self-Test
45 450mA 2172 Lm - 17.3W			A3 Switch Dim	Z Custom		EW 3 hour DALI Wireless Sentinel
50 500mA 2414 Lm -20.3W			A4 1-10v			
			A5 Casambi			

All electrical and optical data subject to $\pm 10\%$ tolerances.
Values based on 4000K Colour temperature and opal diffuser.

Example Code: SPACE2SF650DM4KA1WEW

Space2-SF-12 (1200mm)

STEP 1. Select Current	STEP 2. Optics	STEP 3. CCT	STEP 4. Control	STEP 5. Finish	STEP 6. Options	STEP 7. Emergency
30 300mA 2674 Lm -22.4W	O Opal Diffuser	3K 3000K	FO Fixed Output	W RAL9016M	PIR Passive Infrared sensor	E3 Standard 3 Hour
35 350mA 3119 Lm -26.2W	M Microprism UGR<19	4K 4000K	A1 DALI 1-100% Dim	B RAL9005		ED DALI/EMPRO
40 400mA 3565 Lm -29.9W			A2 DSI	S RAL9006		ES Self-Test
45 450mA 4010 Lm - 33.7W			A3 Switch Dim	Z Custom		EW 3 hour DALI Wireless Sentinel
50 500mA 4456 Lm -37.4W			A4 1-10v			
			A5 Casambi			

All electrical and optical data subject to $\pm 10\%$ tolerances.
Values based on 4000K Colour temperature and opal diffuser.

Example Code: SPACE2SF1220DO4KA1WE3



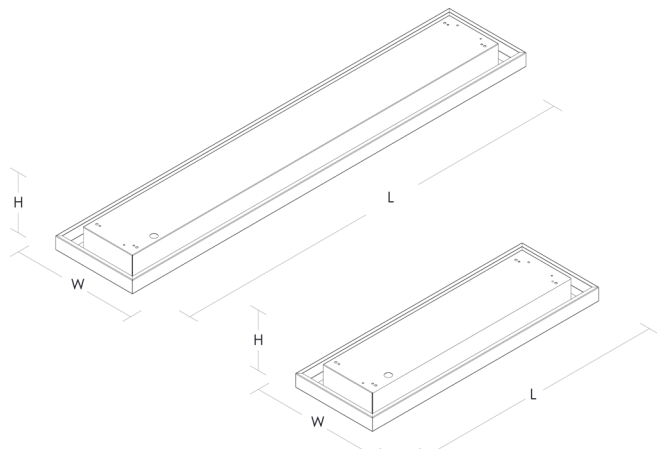
P&A Space 2

Space2-SF-15 (1500mm)

STEP 1. Select Current	STEP 2. Optics	STEP 3. CCT	STEP 4. Control	STEP 5. Finish	STEP 6. Options	STEP 7. Emergency
30 300mA 3342 Lm - 28.1W 35 350mA 3899 Lm - 32.7W 40 400mA 4456 Lm - 37.4W 45 450mA 5013 Lm - 42.1W 50 500mA 5570 Lm - 46.8W	O Opal Diffuser M Microprism UGR<19	3K 3000K 4K 4000K	FO Fixed Output A1 DALI 1-100% Dim A2 DSI A3 Switch Dim A4 1-10v A5 Casambi	W RAL9016M B RAL9005 S RAL9006 Z Custom	PIR Passive Infrared sensor	E3 Standard 3 Hour ED DALI/EMPRO ES Self-Test EW 3 hour DALI Wireless Sentinel

All electrical and optical data subject to $\pm 10\%$ tolerances.
Values based on 4000K Colour temperature and opal diffuser.

Example Code: SPACE2SF1540DO4KA1WPIRE3



Dimensions

L	W	H
650	250	65
1588	250	65

All dimensions are measured in millimetres (mm)

Finish

RAL	Code	Colour Swatch
White	9016	
Black	9005	
Silver	9006	
Custom*	Custom*	

*Custom Colours upon request



Crown House, Plantation Rd, Burscough, Lancashire, L40 8JT
01704 891333
sales@pandaprojects.co.uk
www.pandaprojects.co.uk

Datasheet Code: PA-10301-0

