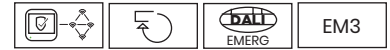




3K 4K

IP20



Space 2

Suspended

Space 2 is a contemporary suspended luminaire with a streamlined appearance, creates a perfect finish to modern offices. Available in various optics and outputs, to suit your needs. Supplied in Direct/ Indirect as standard.

- Efficacy of up to 134 lm/W
- LG7 Compliant, UGR<19 when used with microprism diffuser.
- Colour temperatures: 3000°k, 4000°k.
- Colour Finishes: White (9016) as standard. Other RAL colours, available on request.
- Can be continuously mounted with infill sections
- Dimming options: DALI 1-100% Dim, DSI, Switch Dim, 1-10v.
- Wireless control options: Casambi.
- Options: PIR sensor.
- Emergency options: Standard 3hr, Self-Test, Dali addressable or 3hr Dali Wireless Sentinel.

Technical

Product	Space 2
Mounting type	Suspended
Standard Lengths	650mm
	1200mm
	1500mm
Lumen	1630- 6268 Lm
Efficacy	Upto 134 lm/W
Colour Temperature	Warm White (3K)
	Neutral White (4K)
Optics	Opal diffuser
	Microprism (UGR<19)
Control	DALI 1-100%, DSI, 1-10V, Casambi, Fixed output
Emergency	3 hour, DALI, Self-Test, DALI Wireless Sentinel
Rendering	Ra80+
IP Rating	IP20
Safety Class	Class 1
MacAdam	SDCM 3
L70/B10	>50K

P&A Space 2

Luminaire Order Builder

Space2-WS-6 (650mm)

STEP 1. Select Current	STEP 2. Direction	STEP 3. Optics	STEP 4. CCT	STEP 5. Control	STEP 6. Finish	STEP 7. Options	STEP 8. Emergency
30 300mA 1630 Lm - 12.2W 35 350mA 1904 Lm - 14.2W 40 400mA 2173 Lm - 16.2W 45 450mA 2444 Lm - 18W 50 500mA 2716 Lm - 20W	DI Direct/Indirect	O Opal Diffuser M Microprism UGR<19	3K 3000K 4K 4000K	FO Fixed Output A1 DALI 1-100% Dim A2 DSI A3 Switch Dim A4 1-10v A5 Casambi	W RAL9016M B RAL9005 S RAL9006 Z Custom	PIR Passive Infrared sensor	E3 Standard 3 Hour ED DALI/EMPRO ES Self-Test EW 3 hour DALI Wireless Sentinel

All electrical and optical data subject to $\pm 10\%$ tolerances.
Values based on 4000K Colour temperature and opal diffuser.

Example Code: SPACE2WS650DM4KA1WEW

Space2-WS-12 (1200mm)

STEP 1. Select Current	STEP 2. Direction	STEP 3. Optics	STEP 4. CCT	STEP 5. Control	STEP 6. Finish	STEP 7. Options	STEP 8. Emergency
30 300mA 3008 Lm - 22.4W 35 350mA 3510 Lm - 26.2W 40 400mA 4011 Lm - 29.9W 45 450mA 4513 Lm - 33.7W 50 500mA 5014 Lm - 37.4W	DI Direct/Indirect	O Opal Diffuser M Microprism UGR<19	3K 3000K 4K 4000K	FO Fixed Output A1 DALI 1-100% Dim A2 DSI A3 Switch Dim A4 1-10v A5 Casambi	W RAL9016M B RAL9005 S RAL9006 Z Custom	PIR Passive Infrared sensor	E3 Standard 3 Hour ED DALI/EMPRO ES Self-Test EW 3 hour DALI Wireless Sentinel

All electrical and optical data subject to $\pm 10\%$ tolerances.
Values based on 4000K Colour temperature and opal diffuser.

Example Code: SPACE2WS1220DO4KA1WE3



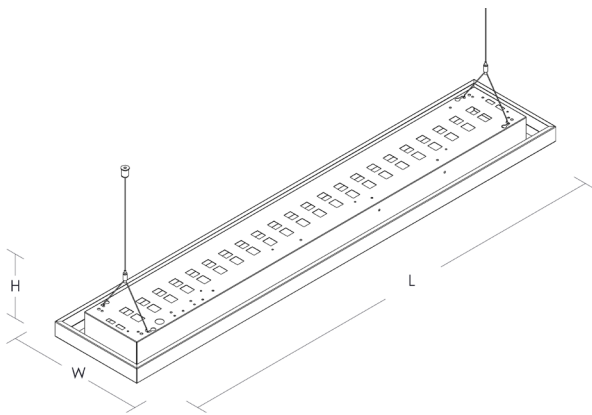
P&A Space 2

Space2-WS-15 (1500mm)

STEP 1. Select Current	STEP 2. Direction	STEP 3. Optics	STEP 4. CCT	STEP 5. Control	STEP 6. Finish	STEP 7. Options	STEP 8. Emergency
30 300mA 3761 Lm - 28.1W 35 350mA 4387 Lm - 32.7W 40 400mA 5014 Lm - 37.4W 45 450mA 5641 Lm - 42.1W 50 500mA 6268 Lm - 46.6W	DI Direct/Indirect	O Opal Diffuser M Microprism UGR<19	3K 3000K 4K 4000K	FO Fixed Output A1 DALI 1-100% Dim A2 DSI A3 Switch Dim A4 1-10v A5 Casambi	W RAL9016M B RAL9005 S RAL9006 Z Custom	PIR Passive Infrared sensor	E3 Standard 3 Hour ED DALI/EMPRO ES Self-Test EW 3 hour DALI Wireless Sentinel

All electrical and optical data subject to $\pm 10\%$ tolerances.
Values based on 4000K Colour temperature and opal diffuser.

Example Code: SPACE2WS1540DO4KA1WPIRE3



Dimensions

L	W	H	Finish	Code	Colour Swatch
650	250	65	White	9016	
1280	250	65	Black	9005	
1588	250	65	Silver	9006	
			Custom*	Custom*	

All dimensions are measured in millimetres (mm)

*Custom Colours upon request

