

3K 4K 2.7-5.7K

IP20



SubSpace WM

Wall Mounted

SubSpace WM, is a wall mounted version of the SS50 or SS70 luminaire range. With its sleek, stylish and modern appearance it creates the perfect statement for the modern workplace. Manufactured from extruded aluminium. Available as direct or Direct/Indirect, in range of outputs finishes to suite.

- Efficacy of up to 115 lm/W.
- LG7 Complaint, UGR<19 (when used with microprism diffuser).
- Colour temperatures: 3000°k, 4000°k or Tunable White (2700°k - 5700°k).
- Colour Finishes: White (9016), Black (9005) or Silver (9006). Other RAL colours, available on request.
- Dimming options: DALI 1-100% Dim, DSI, Switch Dim, 1-10v, DALI 10-100% Dim.
- Wireless control option: Casambi.
- Emergency options: Standard 3hr, Self-Test, Dali addressable or 3hr Dali Wireless Sentinel.

Technical

Product	SubSpace WM
Mounting type	Wall Mounted
Profile	SubSpace50 SubSpace70
Standard Lengths	870-1710mm
Lumen/M	1100-5500 Lm/M
Efficacy	Up to 115 lm/W
Colour Temperature	Warm White (3K) Neutral White (4K) Tunable White (2.7K >5.7K)
Optics	Opal diffuser Microprism (UGR<19) Asymmetric
Control	DALI 1-100%, DSI, 1-10V, Casambi, Fixed output, DALI 10-100%
Emergency	3 hour, DALI, Self-Test, 3 hour DALI Wireless Sentinel
Rendering	Ra80+
IP Rating	IP20
Safety Class	Class 1
MacAdam	SDCM 3
L70/B10	>75K

PA SubSpace WM

Luminaire Order Builder

SS50-WM (Direct)

STEP 1. Select Current	STEP 2. Direction	STEP 3. Optics	STEP 4. Length	STEP 5. CCT	STEP 6. Control	STEP 7. Finish	STEP 8. Emergency
15 150mA 1100 Lm/M - 10W/m	D Direct	O Opal Diffuser	870 870mm	3K 3000K	FO Fixed Output	W RAL9016M	E3 Standard 3 Hour
20 200mA 1500 Lm/M - 14W/m							
25 250mA 1900 Lm/M - 17W/m		A Asymmetric	1430 1430mm	TW 2700K - 5700K Tunable white	A2 DSI	S RAL9006	ES Self-Test
30 300mA 2200 Lm/M - 20W/m		1710 1710mm	A3 Switch Dim	Z Custom	EW 3 hour DALI Wireless Sentinel		
35 350mA 2600 Lm/M - 24W/m		XXXX Insert custom length (mm)	A4 1-10v				
40 400mA 3000 Lm/M - 27W/m		A5 Casambi					

All electrical and optical data subject to ±10% tolerances.
Values based on 4000K Colour temperature.

Example Code: SS50WM15D011504KA1WE3

SS50-WM (Direct/Indirect)

STEP 1. Select Current	STEP 2. Direction	STEP 3. Optics	STEP 4. Length	STEP 5. CCT	STEP 6. Control	STEP 7. Finish	STEP 8. Emergency
15 150mA 2100 Lm/M - 18W/m	DI Direct/indirect	O Opal Diffuser	870 870mm	3K 3000K	FO Fixed Output	W RAL9016M	E3 Standard 3 Hour
20 200mA 2800 Lm/M - 24W/m							
25 250mA 3400 Lm/M - 30W/m		A Asymmetric	1430 1430mm	TW 2700K - 5700K Tunable white	A2 DSI	S RAL9006	ES Self-Test
30 300mA 4100 Lm/M - 36W/m		1710 1710mm	A3 Switch Dim	Z Custom	EW 3 hour DALI Wireless Sentinel		
35 350mA 4800 Lm/M - 42W/m		XXXX Insert custom length (mm)	A4 1-10v				
40 400mA 5500 Lm/M - 49W/m		A5 Casambi					
		A8 DALI 10-100% Dim					

All electrical and optical data subject to ±10% tolerances.
Values based on 4000K Colour temperature.

Example Code: SS5015DIO11504KA1WE3



PA SubSpace WM

Luminaire Order Builder

SS70-WM (Direct)

STEP 1. Select Current	STEP 2. Direction	STEP 3. Optics	STEP 4. Length	STEP 5. CCT	STEP 6. Control	STEP 7. Finish	STEP 8. Emergency
15 150mA 1100 Lm/M - 10W/m	D Direct	O Opal Diffuser	870 870mm	3K 3000K	FO Fixed Output	W RAL9016M	E3 Standard 3 Hour
20 200mA 1500 Lm/M - 14W/m							
25 250mA 1900 Lm/M - 17W/m		M Microprism UGR<19	1150 1150mm	4K 4000K	A1 DALI 1-100% Dim	B RAL9005	ED DALI/EMPRO
30 300mA 2200 Lm/M - 20W/m							
35 350mA 2600 Lm/M - 24W/m		A Asymmetric	1430 1430mm	TW 2700K - 5700K Tunable white	A2 DSI	S RAL9006	ES Self-Test
40 400mA 3000 Lm/M - 27W/m							
		1710 1710mm	A3 Switch Dim	Z Custom	EW 3 hour DALI Wireless Sentinel		
		XXXX Insert custom length (mm)				A4 1-10v	
			A5 Casambi				

All electrical and optical data subject to ±10% tolerances.
Values based on 4000K Colour temperature.

Example Code: SS70WM15D011504KA1WE3

SS70-WM (Direct/Indirect)

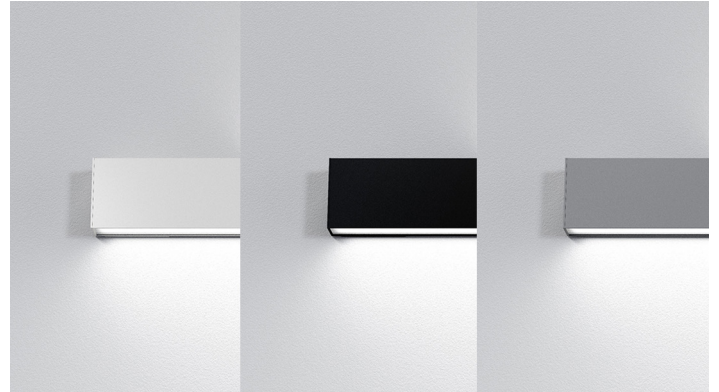
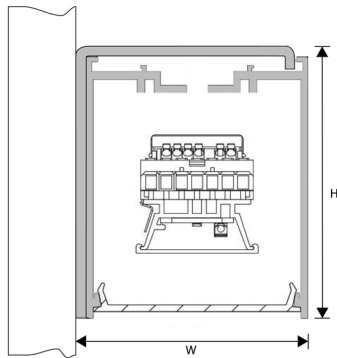
STEP 1. Select Current	STEP 2. Direction	STEP 3. Optics	STEP 4. Length	STEP 5. CCT	STEP 6. Control	STEP 7. Finish	STEP 8. Emergency
15 150mA 2100 Lm/M - 18W/m	DI Direct/indirect	O Opal Diffuser	870 870mm	3K 3000K	FO Fixed Output	W RAL9016M	E3 Standard 3 Hour
20 200mA 2800 Lm/M - 24W/m							
25 250mA 3400 Lm/M - 30W/m		M Microprism UGR<19	1150 1150mm	4K 4000K	A1 DALI 1-100% Dim	B RAL9005	ED DALI/EMPRO
30 300mA 4100 Lm/M - 36W/m							
35 350mA 4800 Lm/M - 42W/m		A Asymmetric	1430 1430mm	TW 2700K - 5700K Tunable white	A2 DSI	S RAL9006	ES Self-Test
40 400mA 5500 Lm/M - 49W/m							
		1710 1710mm	A3 Switch Dim	Z Custom	EW 3 hour DALI Wireless Sentinel		
		XXXX Insert custom length (mm)				A4 1-10v	
			A5 Casambi				
			A8 DALI 10-100% Dim				

All electrical and optical data subject to ±10% tolerances.
Values based on 4000K Colour temperature.

Example Code: SS7015DIO11504KA1WE3



P&A SubSpace WM



Dimensions

Profile	L	W	H	Finish	Code	Colour Swatch
SS50	870	51	87	White	9016	
	1150	51	87	Black	9005	
	1430	51	87	Silver	9006	
	1710	51	87	Custom*	Custom*	
SS70	870	75	87			
	1150	75	87			
	1430	75	87			
	1710	75	87			

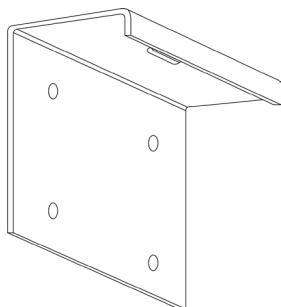
All dimensions are measured in millimetres (mm)

*Custom Colours upon request

Ancillaries

Mounting accessories

Flush Wall mount Bracket (2 x Supplied as standard)

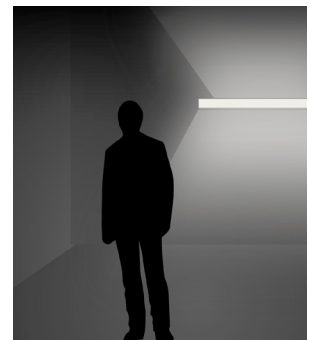


Distribution Types

Direct



Direct/Indirect



IP20

IP20
Protection of fingers against access to hazardous parts, and protection against objects larger than 12.5mm



Safety Class
Class 1 Safety chassis is connected to earth with a separate terminal, instead of via the mains cable



Warranty
5 year Guarantee



Crown House, Plantation Rd, Burscough, Lancashire, L40 8JT
01704 891333
sales@pandaprojects.co.uk
www.pandaprojects.co.uk

Datasheet Code: **PA-SubSpace-WM-0**



BS EN60598-1:2015
ISO 9001 Certification

