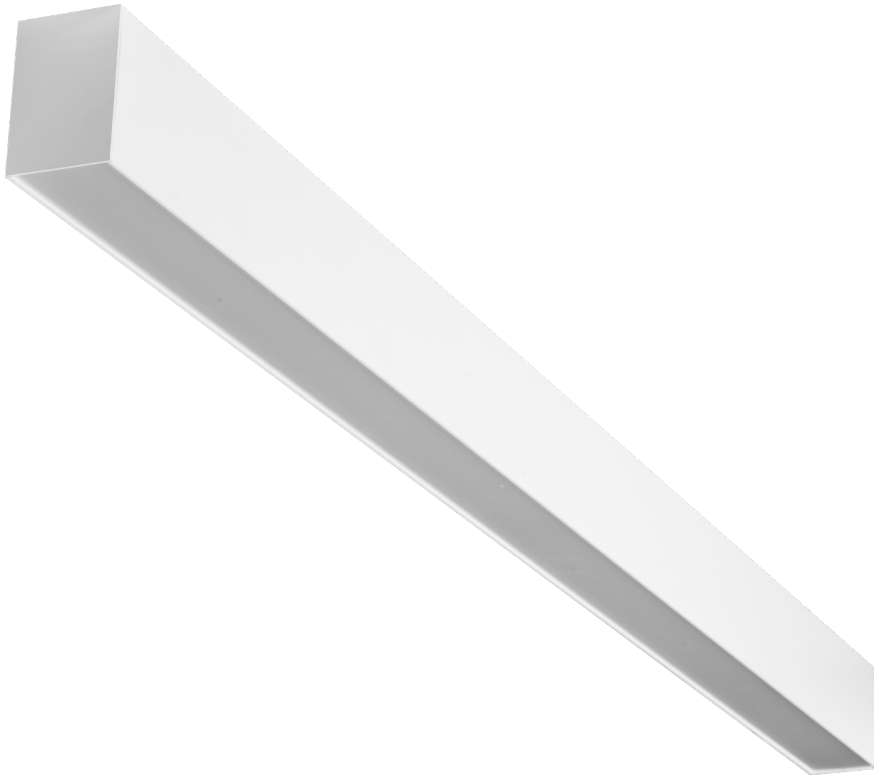
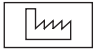


# P&A



3K 4K 2.7-5.7K

IP20



# SubSpace 50

## Surface

Subspace 50 is a surface linear architectural luminaire, manufactured from extruded aluminium, with a profile dimension of 49mm x 85mm. Supplied as Direct, in standard or custom lengths, with a variety of optics to suit your needs.

- Efficacy of up to 115 lm/W.
- LG7 Complaint, UGR<19 (when used with microprism diffuser).
- Colour temperatures: 3000°k, 4000°k or Tunable White (2700°k - 5700°k).
- Colour Finishes: White (9016), Black (9005) or Silver (9006). Other RAL colours, available on request.
- Dimming options: DALI 1-100% Dim, DSI, Switch Dim, 1-10v, DALI 10-100% Dim.
- Wireless control options: Casambi.
- Industry driver options: Fixed output or Dali dimming, for extended service life.
- Mounting bracket supplied as standard.
- Emergency options: Standard 3hr, Self-Test, Dali addressable or 3Hr Dali Wireless Sentinel.
- Square, or rectangular features are also available upon request\*.
- Special projects, which may combine both wall & ceiling, using recessed, surface and suspended versions in a single line of light, are also available upon request\*.
- Integrated PIR available upon request\*.

## Technical

Product	SubSpace 50
Mounting type	Surface
Standard Lengths	870-2970mm
Custom Lengths	140mm increments
Lumen/M	1100-5500 Lm/M
Efficacy	Up to 115 lm/W
Colour Temperature	Warm White (3K)
	Neutral White (4K)
	Tunable White (2.7K >5.7K)
Optics	Opal diffuser
	Microprism (UGR<19)
	Drop diffuser
Control	Daisy
	DALI 1-100%, DSI, 1-10V, Casambi, Fixed Output, Industry DALI, Industry Fixed Output, DALI 10-100%
Emergency	3 hour, DALI, Self-Test, 3 hour DALI Wireless Sentinel
Rendering	Ra80+
IP Rating	IP20
Safety Class	Class 1
MacAdam	SDCM 3
L70/B10	>75K

\* Please contact P&A Technical Department for assistance

# P&A

Crown House, Plantation Rd, Burscough, Lancashire, L40 8JT  
01704 891333  
sales@pandaprojects.co.uk  
www.pandaprojects.co.uk

Datasheet Code: PA-10430-0

UK CA CE BS EN60598-1:2015 ISO 9001 Certification

MADE IN BRITAIN

# P&A SubSpace 50

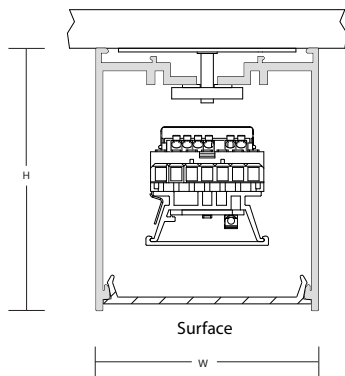
## Luminaire Order Builder

### SS50-SF

STEP 1.	STEP 2.	STEP 3.	STEP 4.	STEP 5.	STEP 6.	STEP 7.
Select Current	Optics	Length	CCT	Control	Finish	Emergency
<b>15</b> 150mA 1100 Lm/M - 10W/m	<b>O</b> Opal Diffuser	<b>870</b> 870mm	<b>3K</b> 3000K	<b>FO</b> Fixed Output	<b>W</b> RAL9016M	<b>E3</b> Standard 3 Hour
<b>20</b> 200mA 1500 Lm/M - 14W/m	<b>M</b> Microprism UGR<19	<b>1150</b> 1150mm	<b>4K</b> 4000K	<b>A1</b> DALI 1-100% Dim	<b>B</b> RAL9005	<b>ED</b> DALI/EMPRO
<b>25</b> 250mA 1900 Lm/M - 17W/m	<b>DR</b> Drop diffuser	<b>1430</b> 1430mm	<b>TW</b> 2700K - 5700K Tunable white	<b>A2</b> DSI	<b>S</b> RAL9006	<b>ES</b> Self-Test
<b>30</b> 300mA 2200 Lm/M - 20W/m	<b>DA</b> Daisy	<b>1710</b> 1710mm		<b>A3</b> Switch Dim	<b>Z</b> Custom	<b>EW</b> 3 hour DALI Wireless Sentinel
<b>35</b> 350mA 2600 Lm/M - 24W/m		<b>1990</b> 1990mm		<b>A4</b> 1-10v		
<b>40</b> 400mA 3000 Lm/M - 27W/m		<b>2270</b> 2270mm		<b>A5</b> Casambi		
		<b>2550</b> 2550mm		<b>A6</b> Industry Fixed Output		
		<b>2970</b> 2970mm		<b>A7</b> Industry DALI		
		<b>XXXX</b> Insert custom length (mm)		<b>A8</b> DALI 10 -100% Dim		

All electrical and optical data subject to ±10% tolerances.  
Values based on 4000K Colour temperature.

Example Code: SS50SF15011504KA1WE3



#### Dimensions

L	W	H	Finish	Code	Colour Swatch
			RAL		
870	49	85	White	9016M	
1150	49	85	Black	9005	
1430	49	85	Silver	9006	
1710	49	85	Custom*	Custom*	
1990	49	85			
2270	49	85			
2550	49	85			
2970	49	85			
Custom*	49	85			

All dimensions are measured in millimetres (mm).  
\*Custom lengths upon request.

\*Custom Colours upon request.



Crown House, Plantation Rd, Burscough, Lancashire, L40 8JT  
01704 891333  
sales@pandaprojects.co.uk  
www.pandaprojects.co.uk

Datasheet Code: PA-10430-0

