

Ultra 1

Recessed

Ultra 1 is a contemporary office luminaire, designed for standard exposed T ceiling grids. Manufactured from powder coated sheet steel, with central, glare free microprism optic with curved, diffuse opal wings.

- Efficacy of up to 120 lm/W.
- LG7 Compliant, UGR<19.
- Range of colour temperatures 3000K, 4000K.
- Colour Finishes: White (9016) as standard (Other colours available on request).
- Dimming options: DALI 1-100% Dim, DSI, Switch Dim, 1-10v.
- Wireless control options: Casambi.
- Emergency options: Standard 3hr, Self-Test, Dali addressable or 3hr Dali Wireless Sentinel.

Technical

Product	Ultra 1
Mounting type	Recessed
Lumens	2985 - 4409 Lm
Efficacy	Up to 120 lm/W
Colour Temperature	Warm White (3K) Neutral White (4K)
Optics*	Microprism (UGR<19)
Control	DALI 1-100%, DSI, 1-10V, Casambi, Fixed Output
Emergency	3 hour, DALI, Self-Test, DALI Wireless Sentinel
Rendering	Ra80
IP Rating	IP20
Safety Class	Class 1
MacAdam	SDCM 3
L70/B10	>50K

* Central optics only change, curved opal outer wings as standard on both variants.

PA Ultra 1

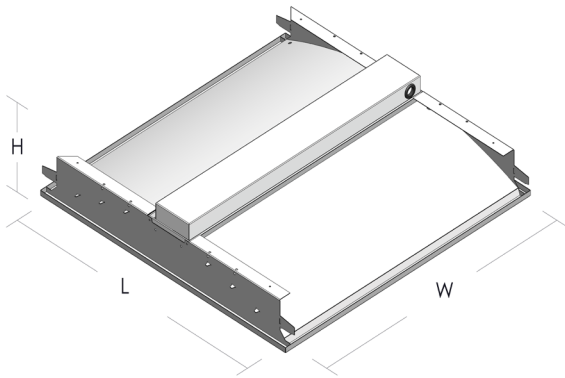
Luminaire Order Builder

ULTRA1

STEP 1.	STEP 2.	STEP 3.	STEP 4.	STEP 5.
Select Current	CCT	Control	Finish	Emergency
70 700mA 2985 Lm - 27.3W 50H 500mA 4409 Lm - 36.9W	3K 3000K 4K 4000K	FO Fixed Output A1 DALI 1-100% Dim A2 DSI A3 Switch Dim A4 1-10v A5 Casambi	W RAL9016 Z Custom	E3 Standard 3 Hour ED DALI/EMPRO ES Self-Test EW 3 hour DALI Wireless Sentinel

All electrical and optical data subject to $\pm 10\%$ tolerances.
 Values based on 4000K Colour temperature.

Example Code: ULTRA1704KAIWE3



Dimensions

L	W	H	Finish	Code	Colour Swatch
			RAL		
595	595	110	White	9016M	
			Custom*	Custom*	

All dimensions are measured in millimetres (mm)

*Custom Colours upon request



Crown House, Plantation Rd, Burscough, Lancashire, L40 8JT
 01704 891333
 sales@pandaprojects.co.uk
 www.pandaprojects.co.uk

Datasheet Code: PA-10190-0

