

3K

4K

IP20



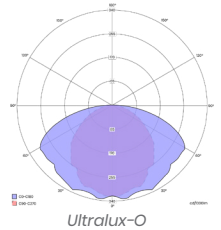
EM3

Ultralux

Recessed

Ultralux is a contemporary office luminaire, designed for exposed T ceiling grids. Manufactured from powder coated sheet steel, with central microprism or opal optics, with curved indirect wings.

- Efficacy of up to 111 lm/W
- UGR<19 diffuser*.
- Colour temperatures: 3000°k, 4000°k.
- Suitable for 15mm T ceiling as standard, other types available on request.
- Colour Finishes: White (9016) as standard (Other colours available on request).
- Dimming options: DALI 1-100% Dim, DSI, Switch Dim, 1-10v.
- Wireless control options: Casambi.
- Emergency options: Standard 3hr, Self-Test, Dali addressable or 3hr Dali Wireless Sentinel.



Technical

Product	Ultralux
Mounting type	Recessed
Lumens	2110 - 5822 lm
Efficacy	Up to 111 lm/W
Colour Temperature	Warm White (3K) Neutral White (4K)
Optics	Opal diffuser
Control	DALI 1-100%, DSI, 1-10V, Casambi, Fixed output
Emergency	3 hour, DALI, Self-Test, DALI Wireless Sentinel
Rendering	Ra80+
IP Rating	IP20
Safety Class	Class 1
MacAdam	SDCM 3
L70/B10	>50K

* UGR 19 diffuser available on special request.

PA Ultralux

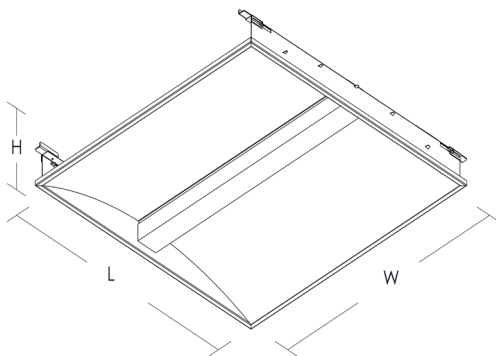
Luminaire Order Builder

Ultralux

STEP 1.	STEP 2.	STEP 3.	STEP 4.	STEP 5.	STEP 6.
Select Current	Optic	CCT	Control	Finish	Emergency
50 500mA 3944 Lm - 32.3W	O Opal Diffuser	3K 3000K	FO Fixed Output	W RAL9016	E3 Standard 3 Hour
55 550mA 4339 Lm - 33.5W		4K 4000K	A1 DALI 1-100% Dim	Z Custom	ED DALI/EMPRO
60 600mA 4733 Lm - 38.7W		A2 DSI	ES Self-Test		
65 650mA 5128 Lm - 42W		A3 Switch Dim	EW 3 hour DALI Wireless Sentinel		
70 700mA 5522 Lm - 45.2W		A4 1-10v			
			A5 Casambi		

All electrical and optical data subject to $\pm 10\%$ tolerances.
 Values based on 4000K Colour temperature and Opal diffuser.

Example Code: ULTRALUX5003KAIWE3



Dimensions

L	W	H	Finish	Code	Colour Switch
595	595	65	White	9016M	
			Custom*	Custom	

All dimensions are measured in millimetres (mm)

*Custom Colours upon request.

IP20

IP20
 Protection of fingers against access to hazardous parts, and protection against objects larger than 12.5mm



Safety Class
 Class 1 Safety: chassis is connected to earth with a separate terminal, instead of via the mains cable



Warranty
 5 year Guarantee



Crown House, Plantation Rd, Burscough, Lancashire, L40 8JT
 01704 891333
 sales@pandaprojects.co.uk
 www.pandaprojects.co.uk

Datasheet Code: PA-10405-0



BS EN60598-1:2015
 ISO 9001 Certification

