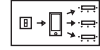




3K

4K

IP65



EM3



PAS65

Surface

PAS65 is a robust moisture and dust resistant batten luminaire. IP65 rated, suitable for industrial damp and dusty environments, an ideal replacement for conventional florescent lamps, where access for maintenance is difficult due to access issues.

- Efficacy of up to 159.7 lm/w.
- Colour temperatures: 3000°k, 4000°k.
- Colour Finishes: Silver Grey as standard.
- Dimming options: DALI 1-100% Dim, DSI, Switch Dim, 1-10v.
- Wireless control options: Casambi.
- Emergency options: Standard 3hr, Self-Test, Dali addressable or 3Hr Dali Wireless Sentinel.
- Remote PIR available upon request*.

Technical

Product	PAS65
Mounting type	Surface
Standard Lengths	600mm
	1200mm 1500mm
Lumen	1431 - 10741 Lm
Efficacy	Up to 159.7 Lm/W
Colour Temperature	Warm White (3K)
	Neutral White (4K)
Optics	Opal diffuser
Control	DALI 1-100%, DSI, 1-10V, Casambi, Fixed output
Emergency	3 hour, DALI, Self-Test, 3 hour DALI Wireless Sentinel
Rendering	Ra80+
IP Rating	IP65
Safety Class	Class 1
MacAdam	SDCM 3
L70/B10	>50K

* Please contact P&A Technical Department for assistance

P&A PAS65

Luminaire Order Builder

PAS65-6-SW (600mm Single Width)

STEP 1. Select Current	STEP 2. Optics	STEP 3. CCT	STEP 4. Control	STEP 5. Finish	STEP 6. Emergency
25 250mA 1431 Lm -9.5W 30 300mA 1705 Lm -11.3W 35 350mA 1948 Lm -12.9W 40 400mA 2218 Lm -15W	O Opal Diffuser	3K 3000K 4K 4000K	FO Fixed Output A1 DALI 1-100% Dim A2 DSI A3 Switch Dim A4 1-10v A5 Casambi	S Silver grey	E3 Standard 3 Hour ED DALI/EMPRO ES Self-Test EW 3 hour DALI Wireless Sentinel

All electrical and optical data subject to $\pm 10\%$ tolerances.
Values based on 4000K Colour temperature.

Example Code: PAS656SW404KAISE3

PAS65-12-SW (1200mm Single Width)

STEP 1. Select Current	STEP 2. Optics	STEP 3. CCT	STEP 4. Control	STEP 5. Finish	STEP 6. Emergency
25 250mA 2862 Lm -19W 30 300mA 3410 Lm -22.6W 35 350mA 3897 Lm -26W 40 400mA 4437 Lm -30.1W	O Opal Diffuser	3K 3000K 4K 4000K	FO Fixed Output A1 DALI 1-100% Dim A2 DSI A3 Switch Dim A4 1-10v A5 Casambi	S Silver grey	E3 Standard 3 Hour ED DALI/EMPRO ES Self-Test EW 3 hour DALI Wireless Sentinel

All electrical and optical data subject to $\pm 10\%$ tolerances.
Values based on 4000K Colour temperature.

Example Code: PAS6512SW4004KAISE3



P&A PAS65

Luminaire Order Builder

PAS65-12-TW (1200mm Twin Width)

STEP 1. Select Current	STEP 2. Optics	STEP 3. CCT	STEP 4. Control	STEP 5. Finish	STEP 6. Emergency
25 250mA 5574 Lm - 34.9W 30 300mA 6617 Lm - 42W 35 350mA 7513 Lm - 48.3W 40 400mA 8593 Lm - 56.1W	O Opal Diffuser	3K 3000K 4K 4000K	FO Fixed Output A1 DALI 1-100% Dim A2 DSI A3 Switch Dim A4 1-10v A5 Casambi	S Silver grey	E3 Standard 3 Hour ED DALI/EMPRO ES Self-Test EW 3 hour DALI Wireless Sentinel

All electrical and optical data subject to $\pm 10\%$ tolerances.
Values based on 4000K Colour temperature.

Example Code: PAS6512TW4004KAISE3

PAS65-15-SW (1500mm Single Width)

STEP 1. Select Current	STEP 2. Optics	STEP 4. CCT	STEP 5. Control	STEP 6. Finish	STEP 7. Emergency
25 250mA 3578 Lm - 23.7W 30 300mA 4263 Lm - 28.2W 35 350mA 4871 Lm - 32.5W 40 400mA 5546 Lm - 37.6W	O Opal Diffuser	3K 3000K 4K 4000K	FO Fixed Output A1 DALI 1-100% Dim A2 DSI A3 Switch Dim A4 1-10v A5 Casambi	S Silver grey	E3 Standard 3 Hour ED DALI/EMPRO ES Self-Test EW 3 hour DALI Wireless Sentinel

All electrical and optical data subject to $\pm 10\%$ tolerances.
Values based on 4000K Colour temperature.

Example Code: PAS6515SW4004KAISE3



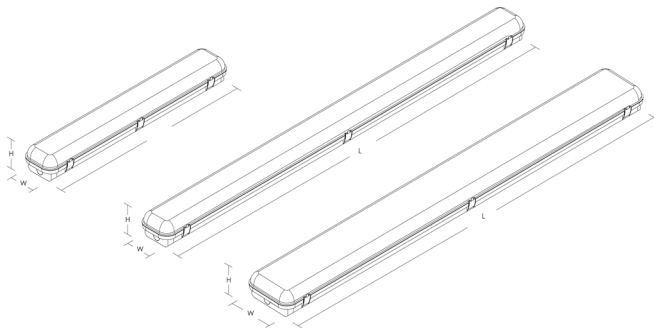
Luminaire Order Builder

PAS65-15-TW (1500mm Twin Width)

STEP 1. Select Current	STEP 2. Optics	STEP 4. CCT	STEP 5. Control	STEP 6. Finish	STEP 7. Emergency
25 250mA 6969 Lm -43.6W 30 300mA 8271 Lm -52.5W 35 350mA 9391 Lm -60.4W 40 400mA 10741 Lm -70.1W	O Opal Diffuser	3K 3000K 4K 4000K	FO Fixed Output A1 DALI 1-100% Dim A2 DSI A3 Switch Dim A4 1-10v A5 Casambi	S Silver grey	E3 Standard 3 Hour ED DALI/EMPRO ES Self-Test EW 3 hour DALI Wireless Sentinel

All electrical and optical data subject to $\pm 10\%$ tolerances.
Values based on 4000K Colour temperature.

Example Code: PAS6515TW4004KAISE3



Dimensions

L	W	H	Finish RAL	Code	Colour Swatch
650	75	75	Silver Grey	S	
1200	75	75			
1200*	110	75			
1500	75	75			
1500*	110	75			

All dimensions are measured in millimetres (mm)
* Twin Width bodies

IP65

IP65
Protection against dust (Dust tight) and water jets from any angle (12.5mm nozzle)



Safety Class
Class 1 Safety: chassis is connected to earth with a separate terminal, instead of via the mains cable



Warranty
5 year Guarantee