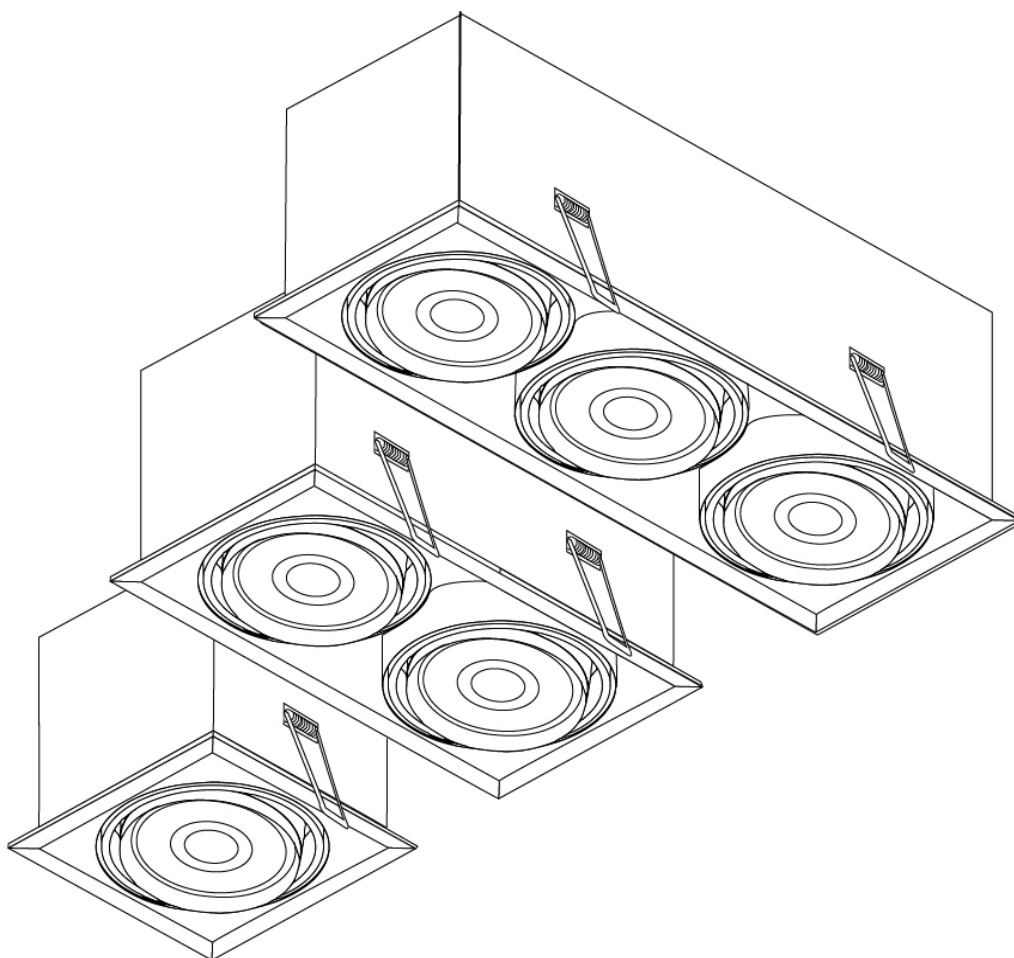


# M-STAR

Single, Twin & Triple Lens  
Recessed decorative downlight.



P&A

# M-STAR

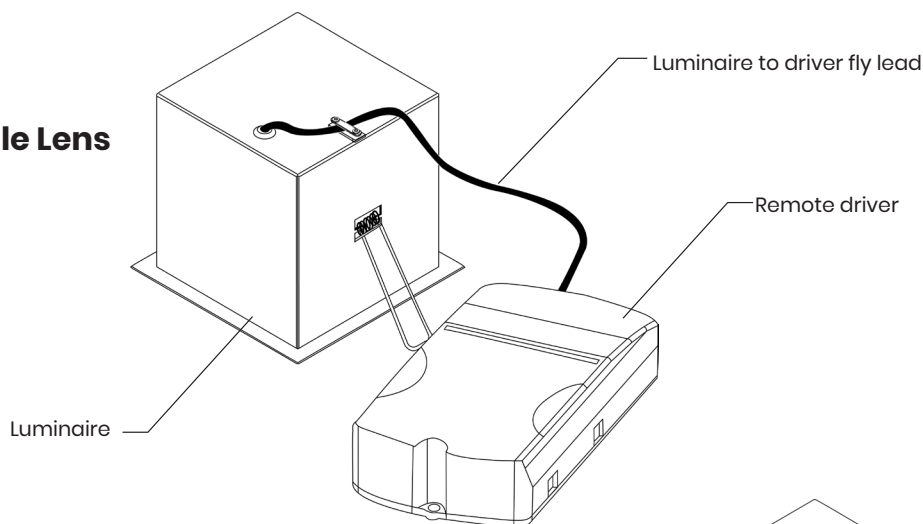
## As Standard

- Remote Driver.
- Luminaire to driver fly lead
- Complete luminaire + Housing
- Remote gear box (emergency versions only).
- Please check thoroughly before installing and report any missing components.

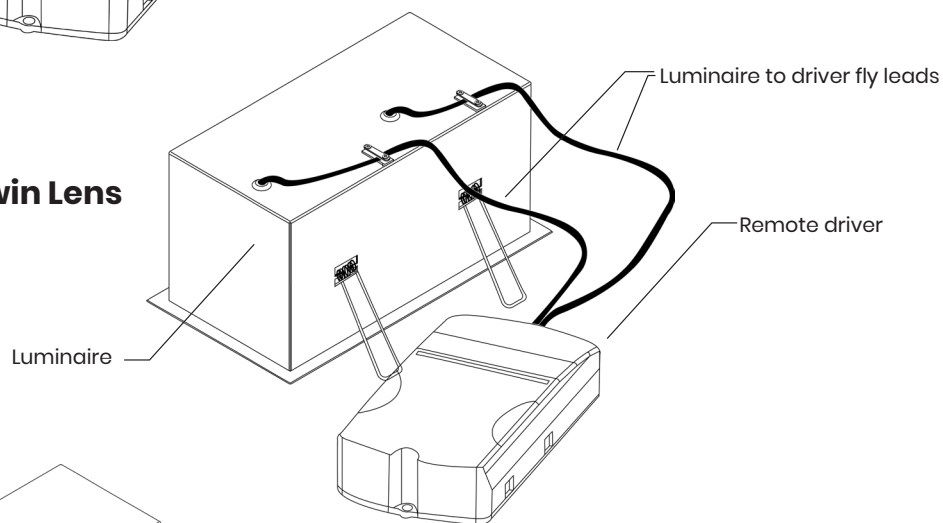
## Recommendations

- Recommended void depth 120mm.
- Do not cover rear of luminaire with any insulation materials.

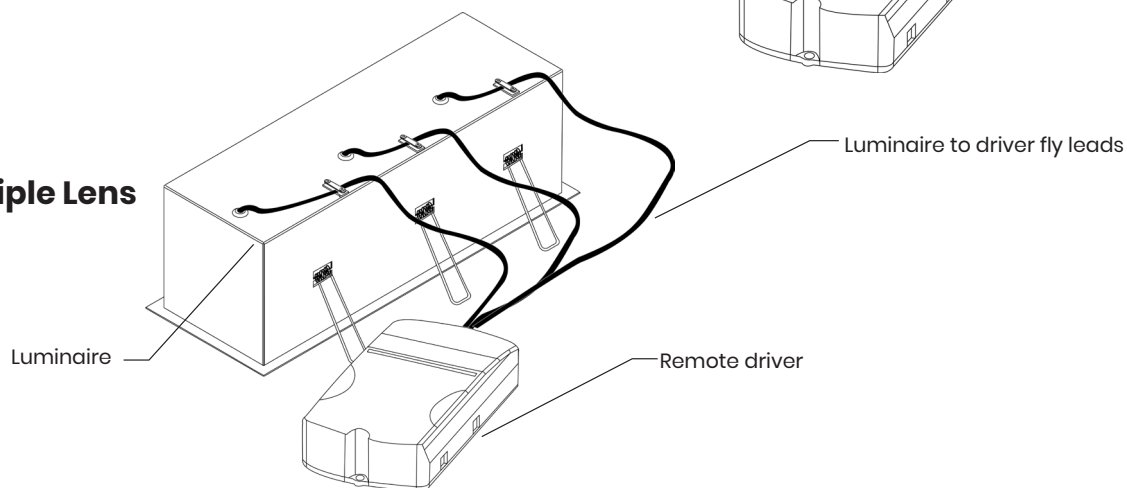
### Single Lens



### Twin Lens



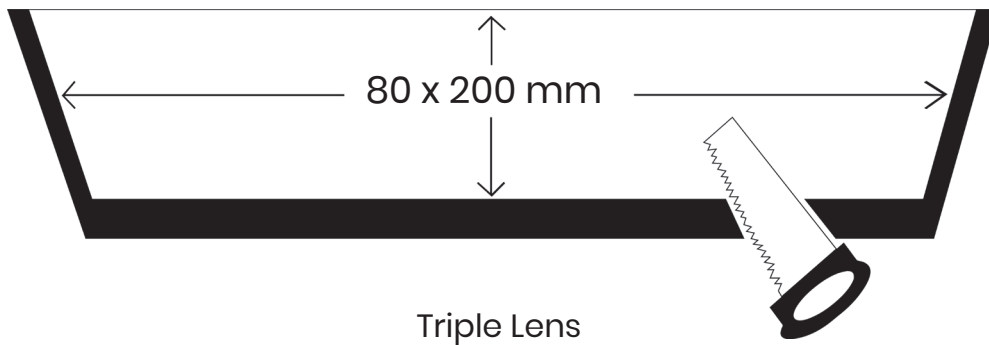
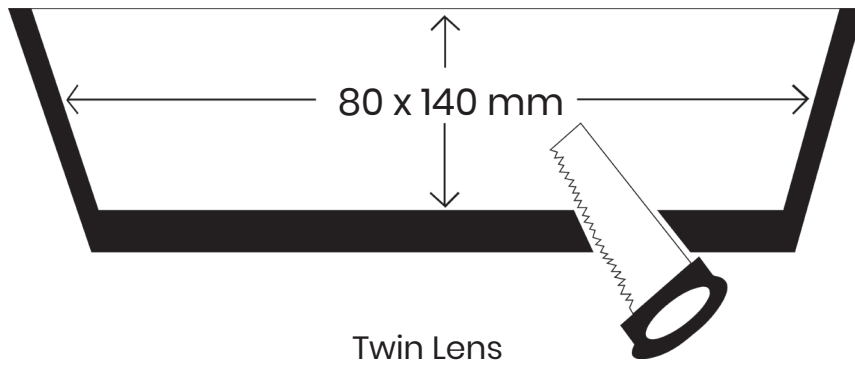
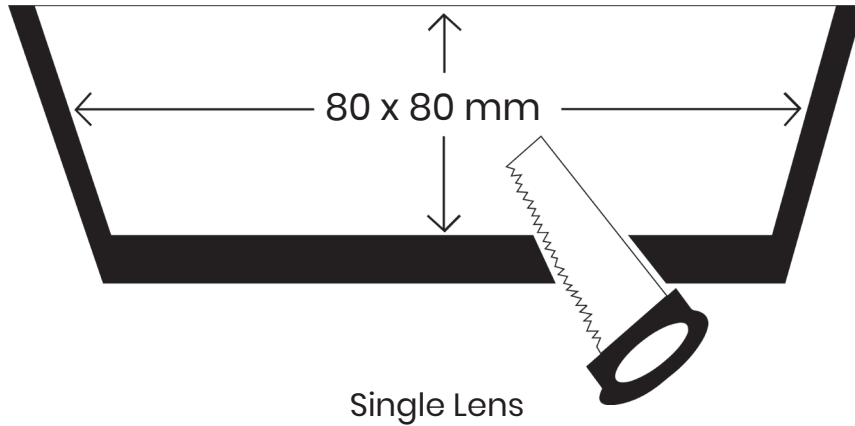
### Triple Lens



# M-STAR

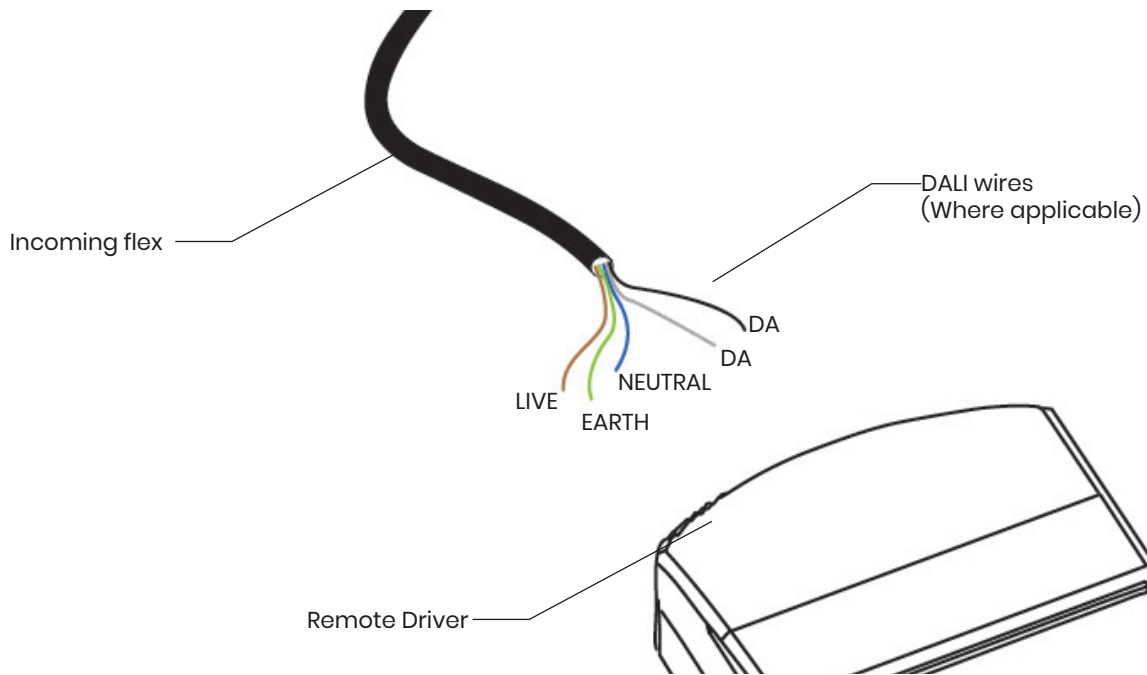
1

Please cut-out Square/rectangular hole in desired surface (Please see correct cutout dimensions below). Please ensure void depth is 130mm (Minimum).

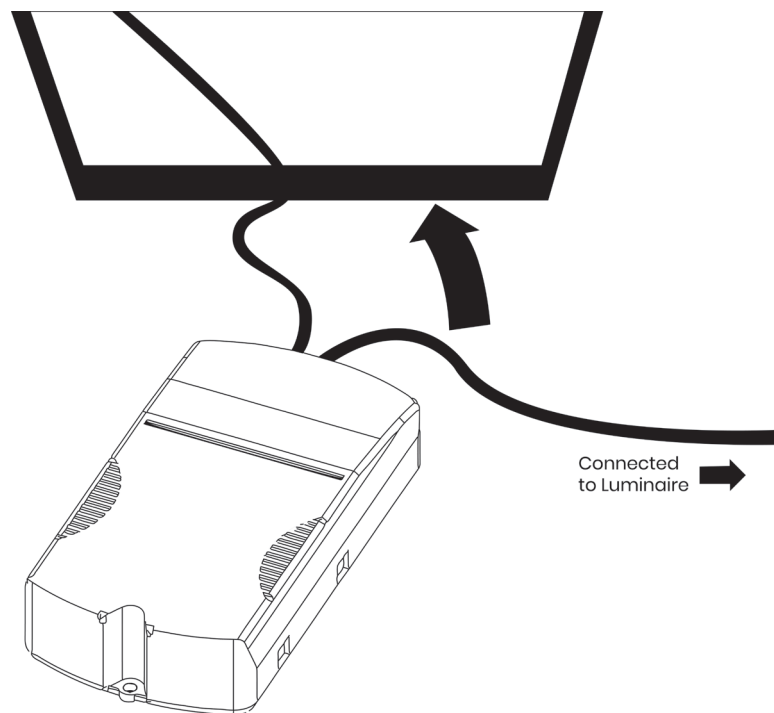


# M-STAR

- 2** Feed Incoming supply cable (provided by others) through cable entry hole and connect into driver (See pages 7-9 for all wiring diagrams).



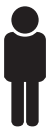
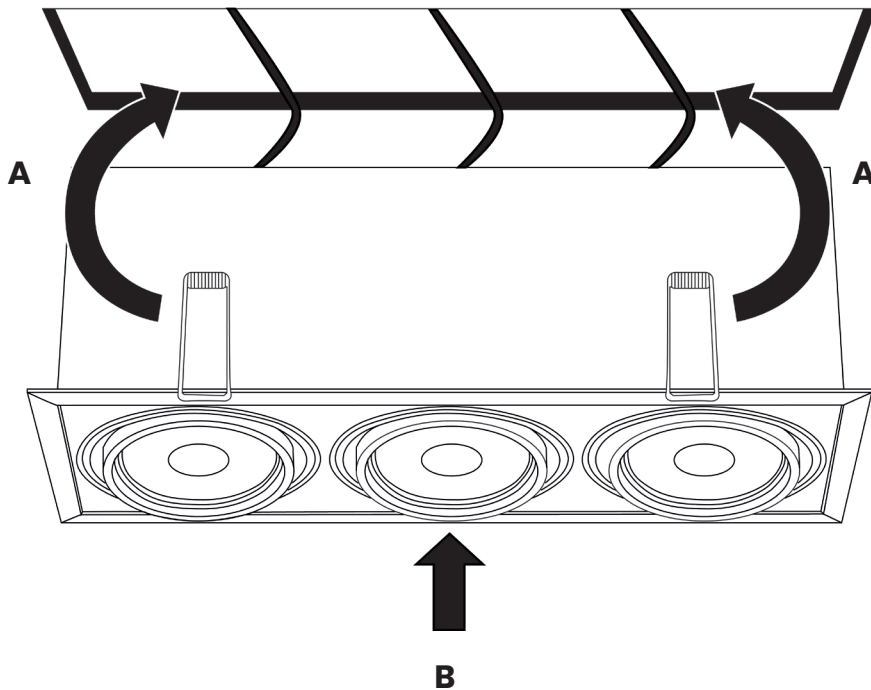
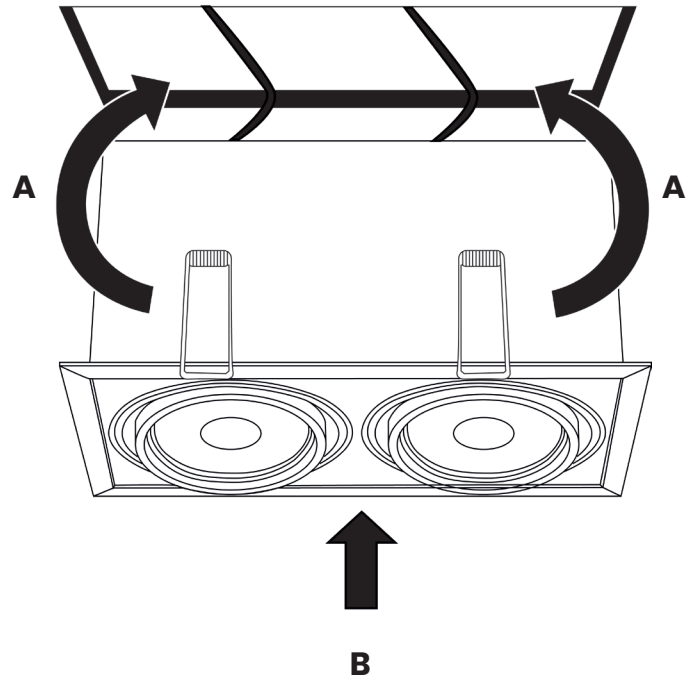
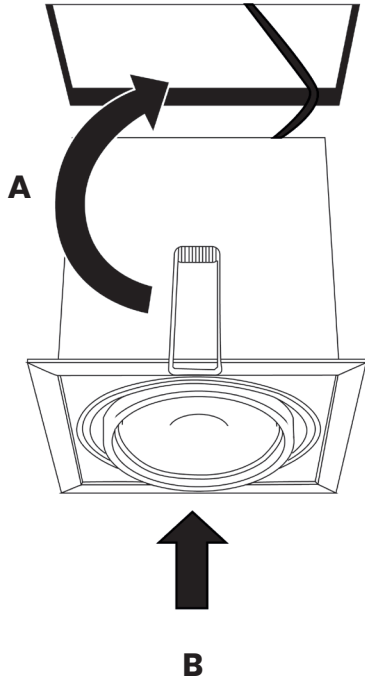
- 3** Feed driver or driver gear box through ceiling cut out.



# M-STAR

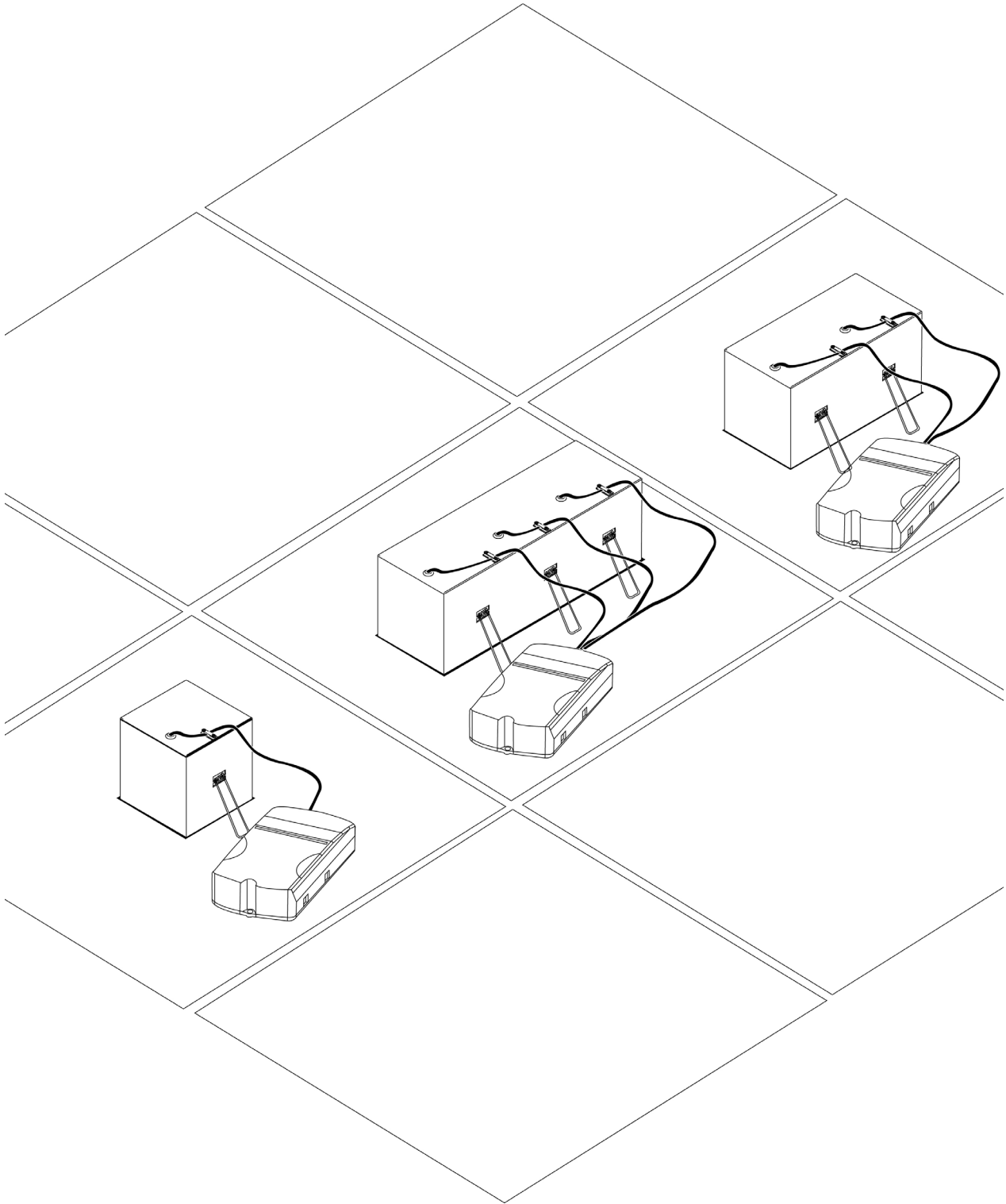
4

Offer up M-STAR luminaire to ceiling. **A.** push/fold all springs backward. **B.** Push luminaire through ceiling cutout, please ensure all springs are evenly pushed through.



5

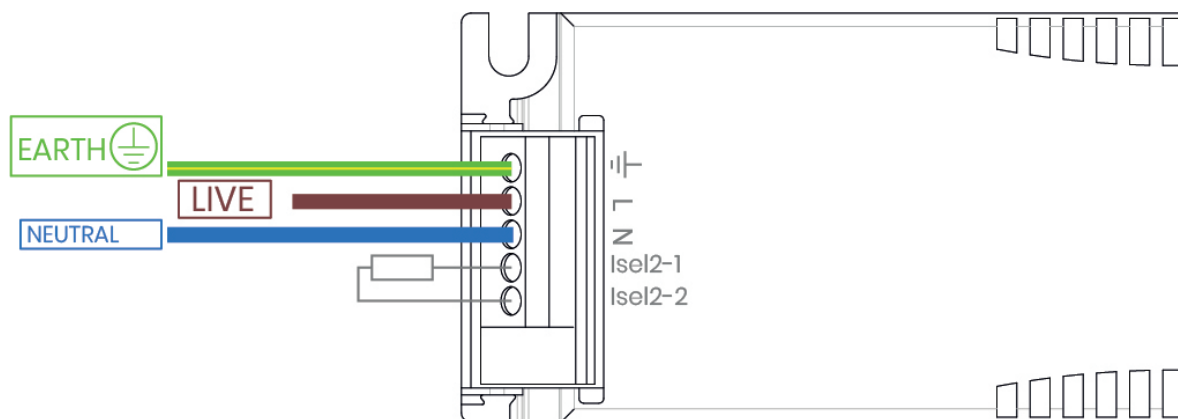
Complete installation (Rear view).



# M-STAR

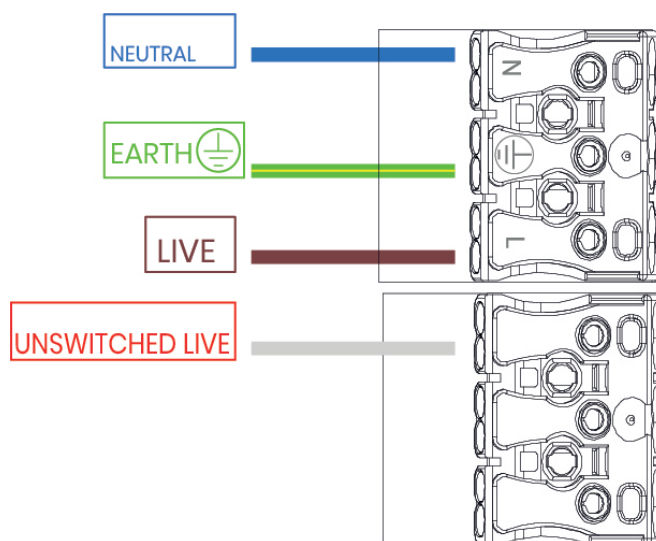
## A Fixed Output.

- Earth
- Live
- Neutral



## B Fixed Output Emergency Wiring.

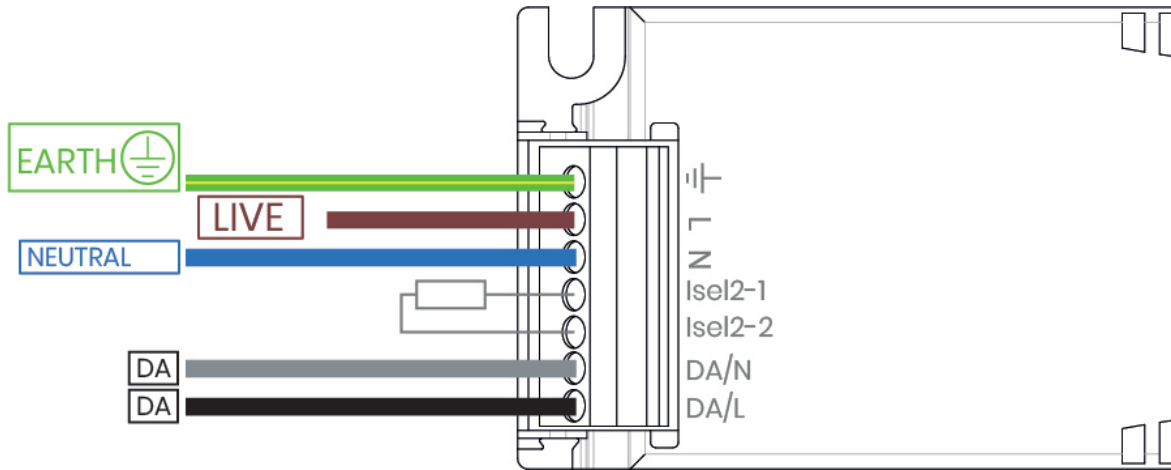
- Neutral
- Earth
- Live
- Unswitched Live



# M-STAR

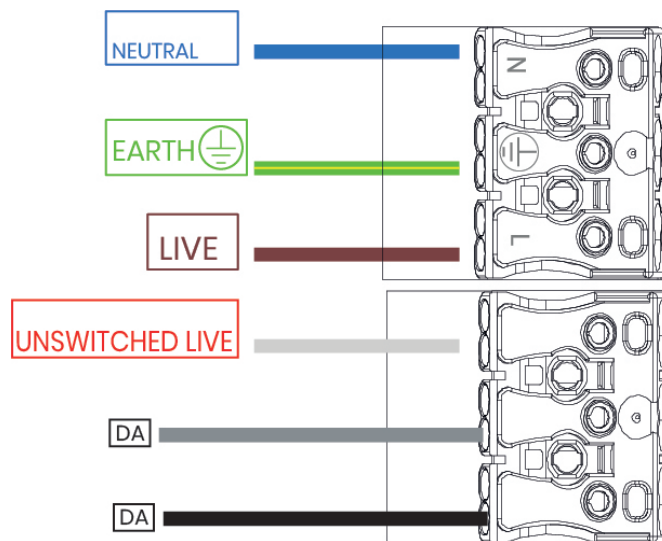
## C DALI Wiring.

- Earth
- Live
- Neutral
- DALI
- DALI



## D DALI Emergency Wiring.

- Neutral
- Earth
- Live
- Unswitched Live
- DALI
- DALI



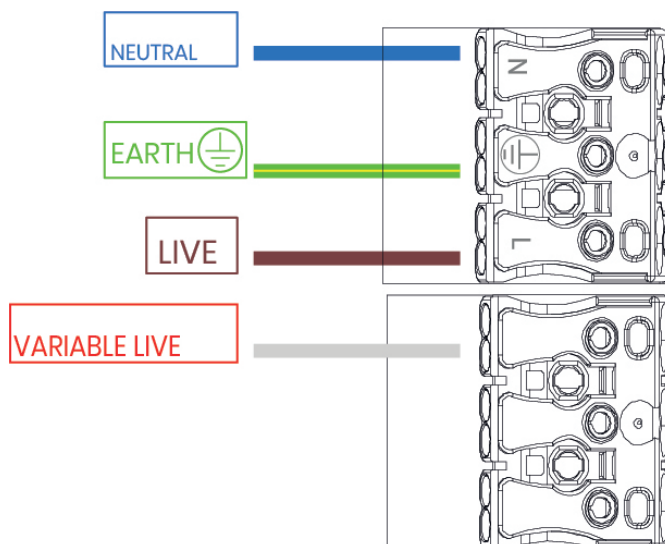


# M-STAR

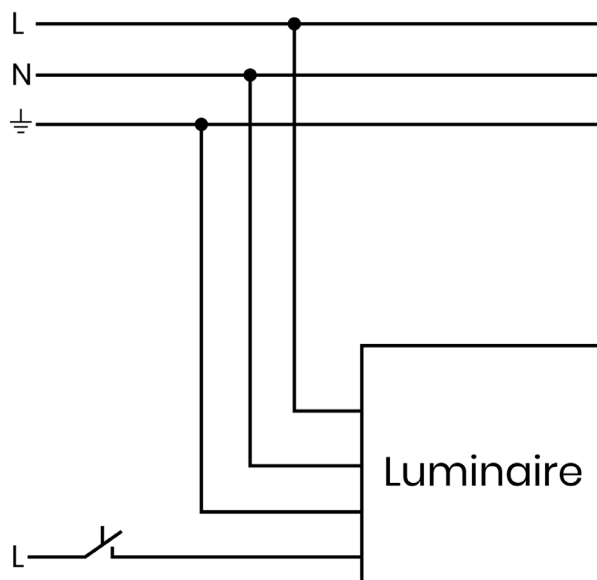
**E**

## SwitchDIM Wiring.

- Neutral
- Earth
- Live
- Variable Live



Example switchDIM circuit  
220-240 V  
0/50/60 Hz



NOTES

NOTES

## M-STAR

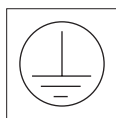
### Safety

- This luminaire should be installed by a qualified electrician in compliance with IEE regulations.
- Please ensure mains supply to luminaire is disconnected before installation or maintenance.
  - The light source contained in this luminaire shall only be replaced by the manufacturer or his service agent or a similar qualified person.

### Ratings

- This luminaire is designed to operate at 230VAC  
-6% +10% 216v to 252v.  
DO NOT OPERATE OUTSIDE THIS RANGE.
- This luminaire is only suitable for installation within its rated ingress Protection limits.

Subject to change without notice. Errors and omission excepted.  
Always make sure to use the most recent release.



CROWN HOUSE, PLANTATION RD,  
BURSCOUGH, LANCASHIRE. L40 8JT  
01704 891 333  
[www.pandaprojects.co.uk](http://www.pandaprojects.co.uk)