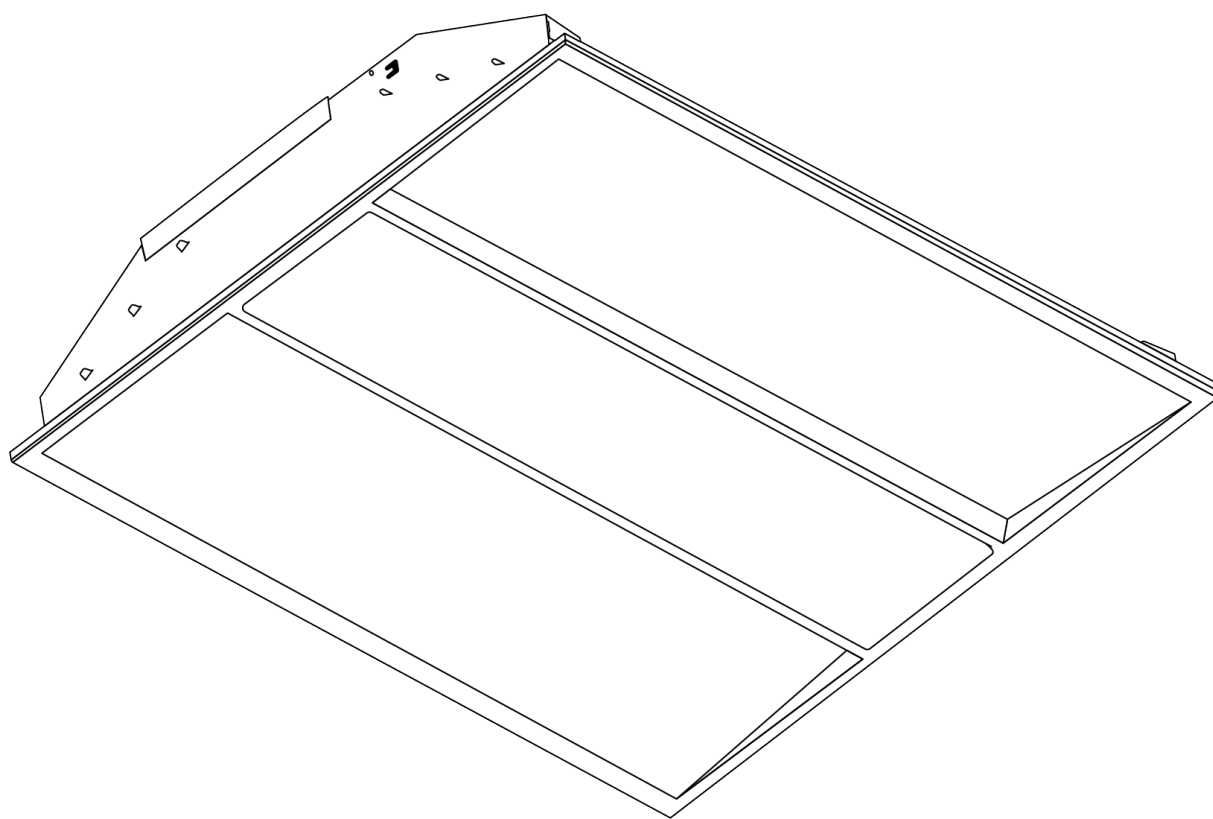


Ultra 1

595x595mm Recessed Luminaire.

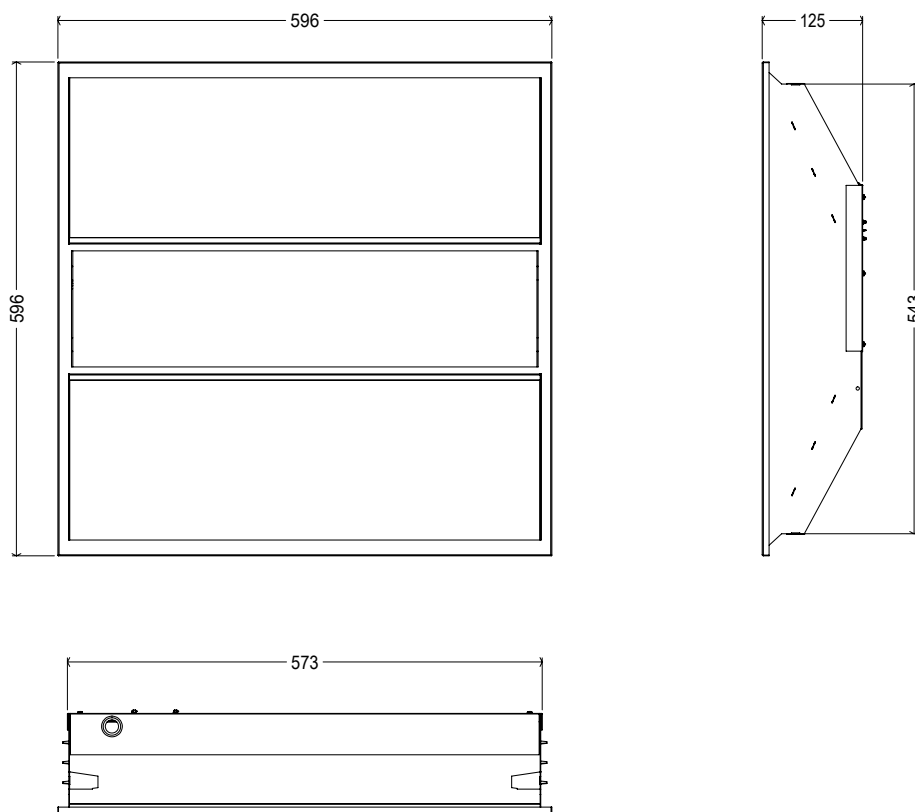


P&A

Ultra 1

As Standard

- Luminaire c/w integral driver.
- Please check thoroughly before installing and report any missing components.

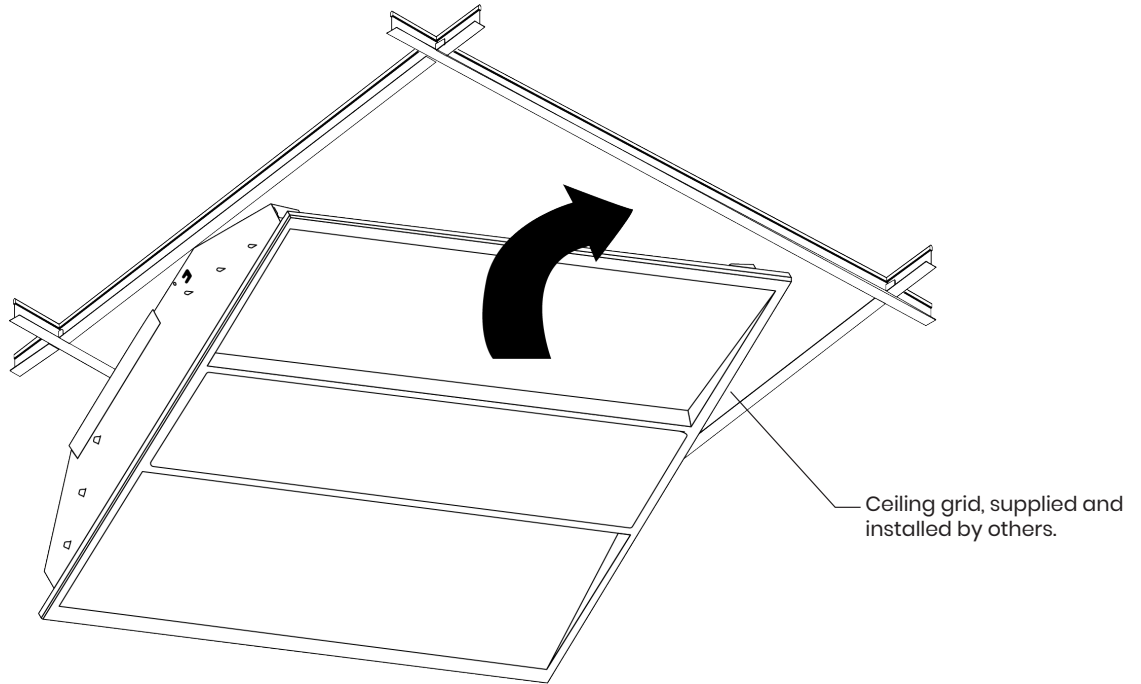


Nominal Dimensions			
Products			
	<i>L</i>	<i>W</i>	<i>H</i>
Ultra 1	595	595	125

Ultra 1

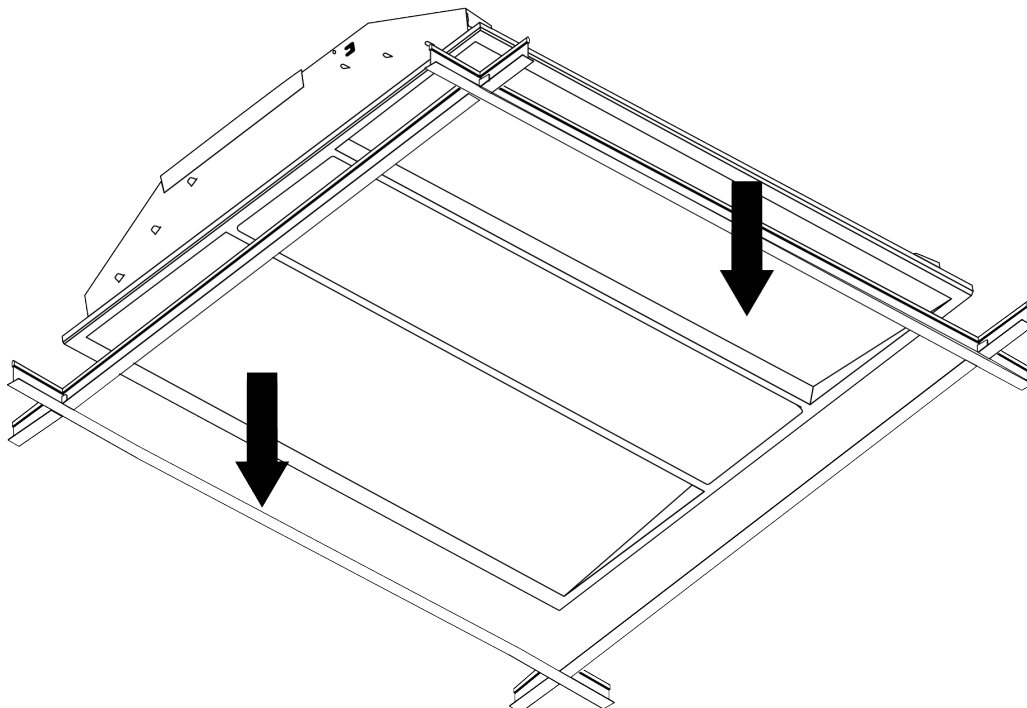
1

“Lift and tilt” Installation.
Angle the luminaire to fit through the aperture.



2

Then lower onto the tee bars/ceiling grid.

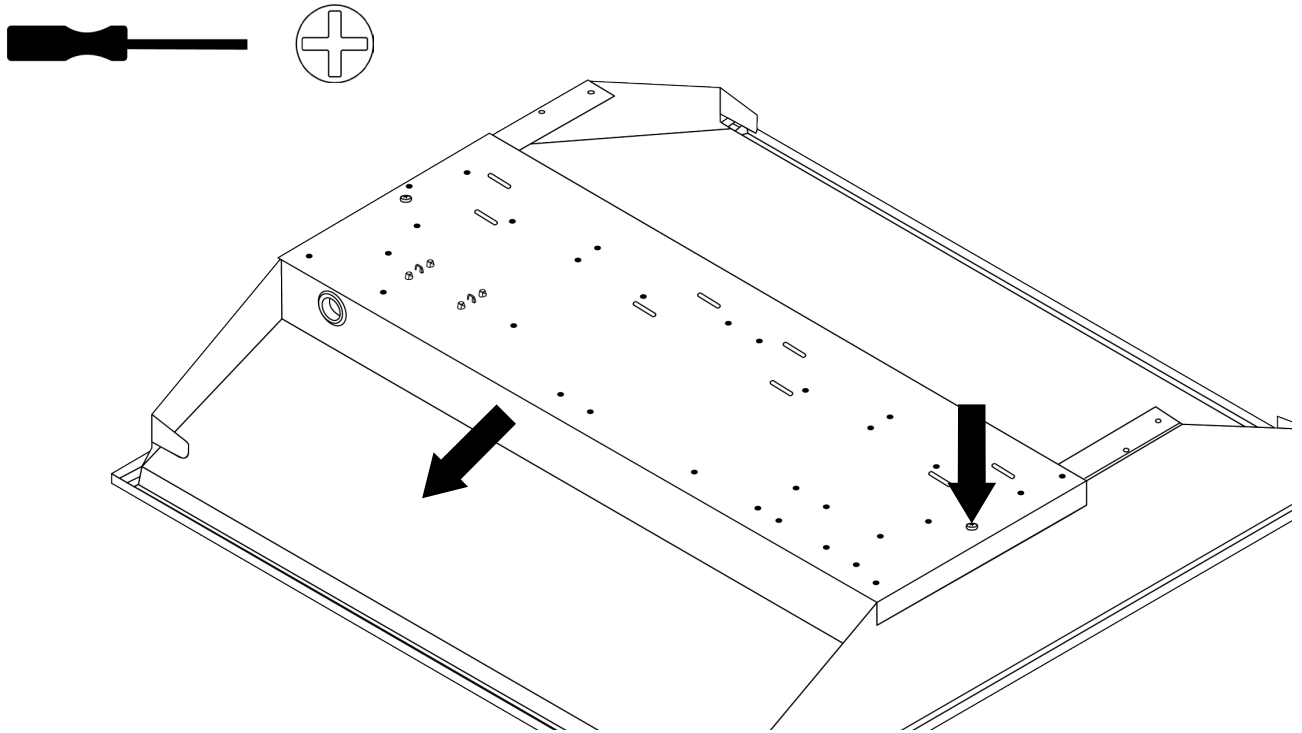


3

Ultra 1

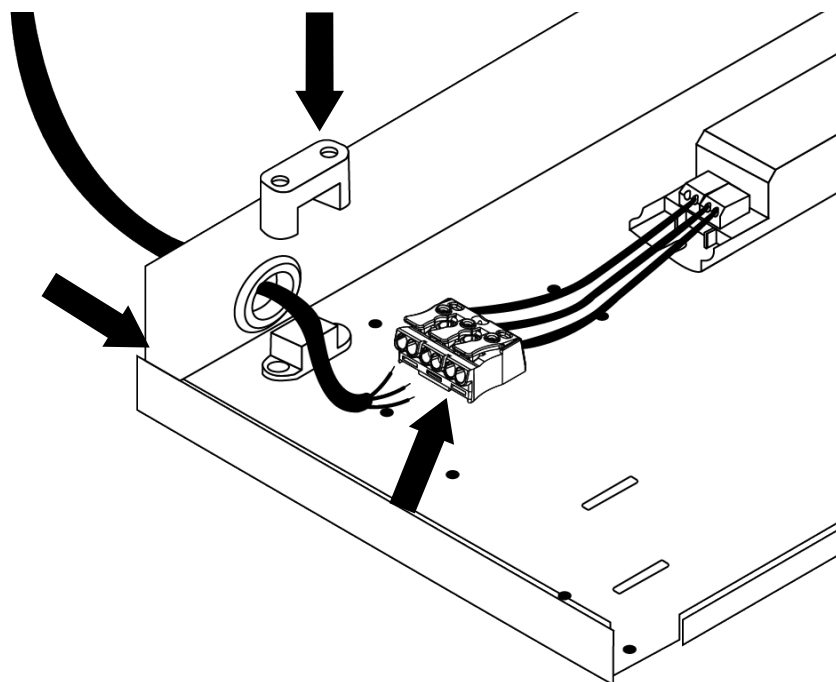
3

Unscrew and slide rear gear tray cover to remove.



4

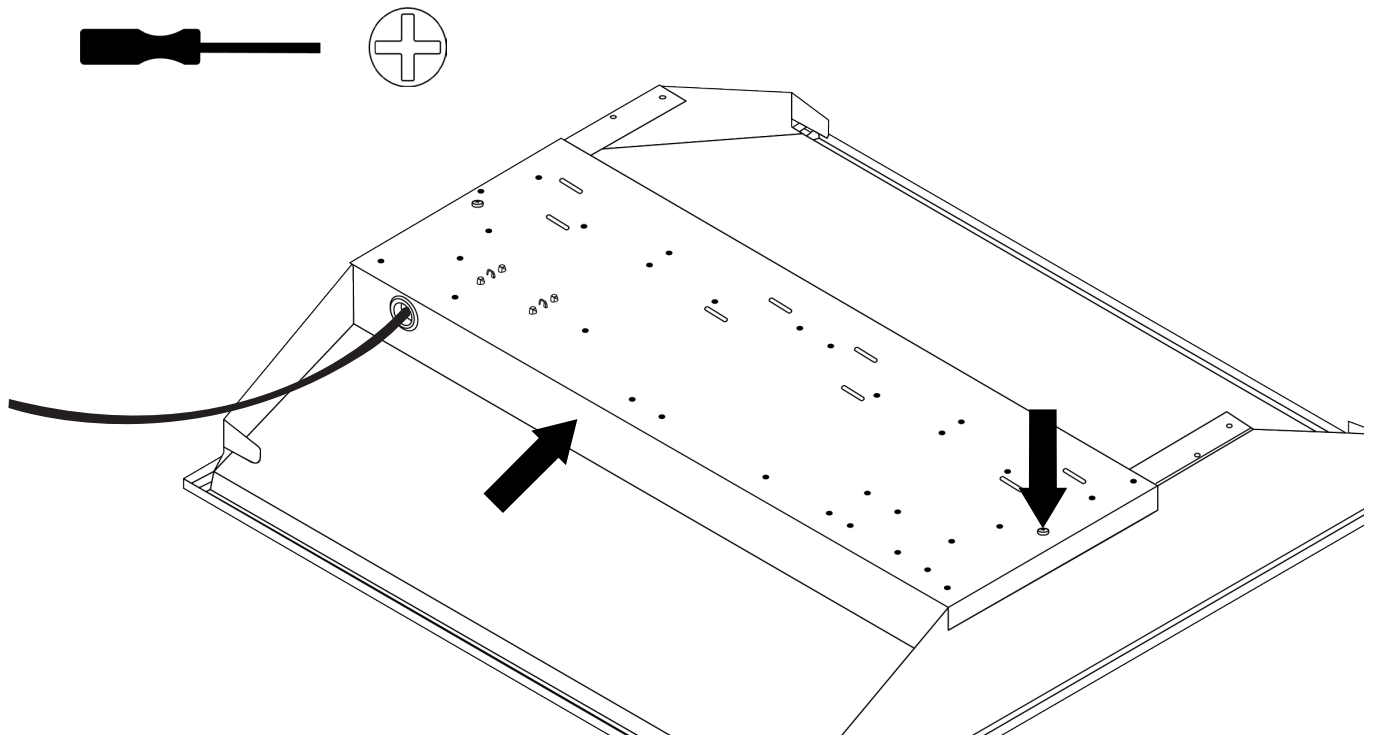
Feed and connect incoming supply (provided by others) to the terminal block (See pages 6 to 8 for wiring diagrams). Please ensure cable is fed through the cable strain relief and secured after connecting.



Ultra 1

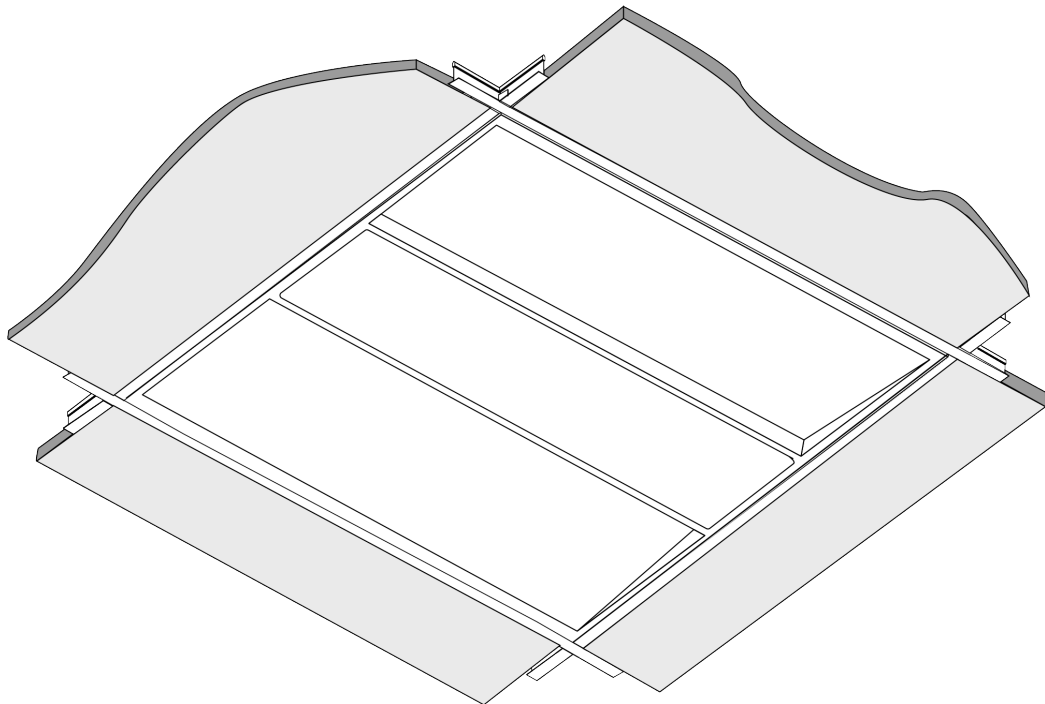
5

Slide and refit rear gear tray cover.



6

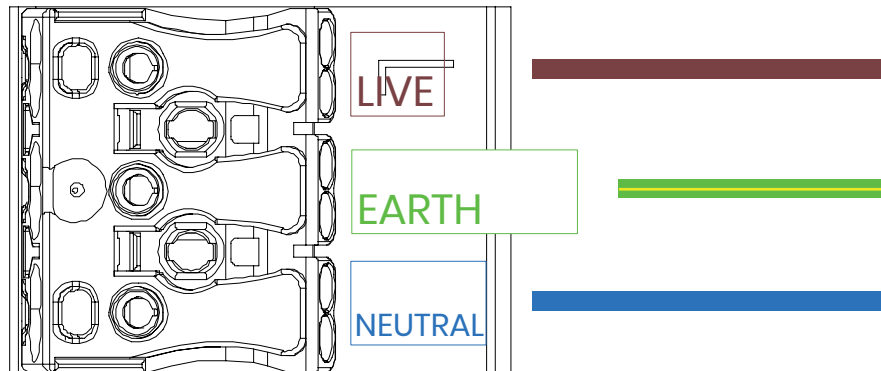
Completed Installation (front view).



Ultra 1

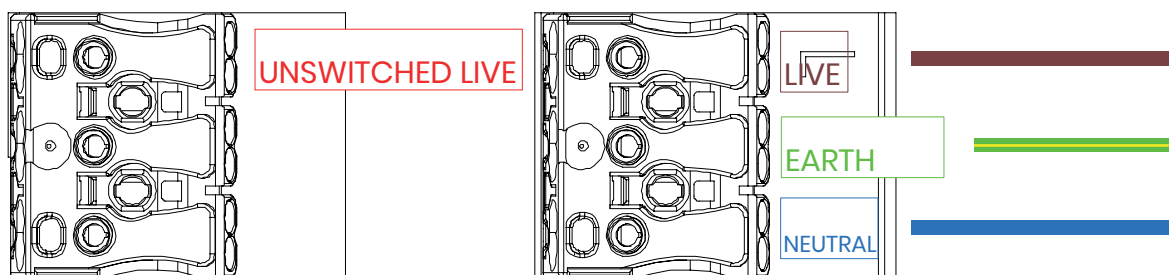
A Fixed Output.

- Live
- Earth
- Neutral



B Fixed Output Emergency Wiring.

- Live
- Earth
- Neutral
- Unswitched Live

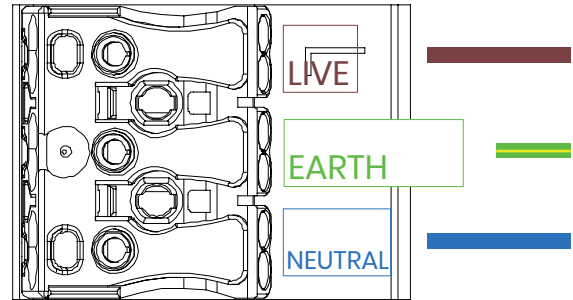
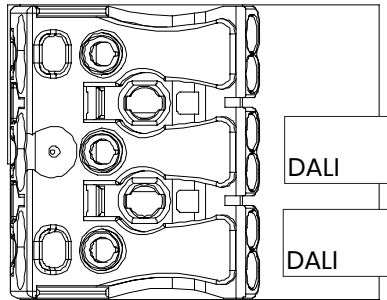


Ultra 1

C

DALI Wiring.

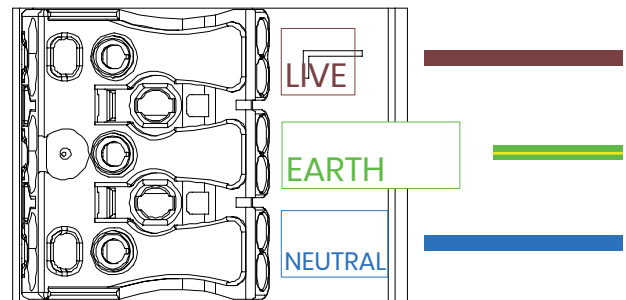
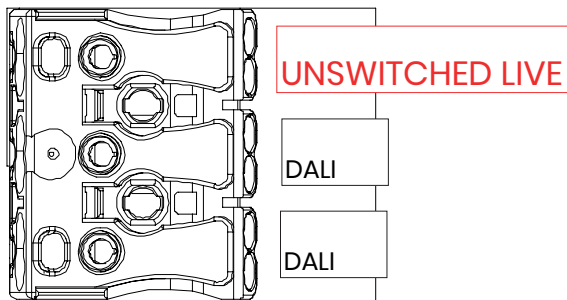
- Live
- Earth
- Neutral
- DALI
- DALI



D

DALI Emergency Wiring.

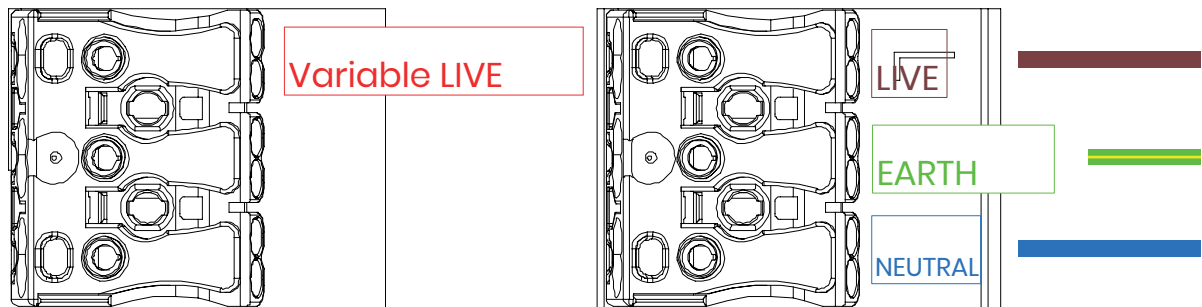
- Live
- Earth
- Neutral
- Unswitched Live
- DALI
- DALI



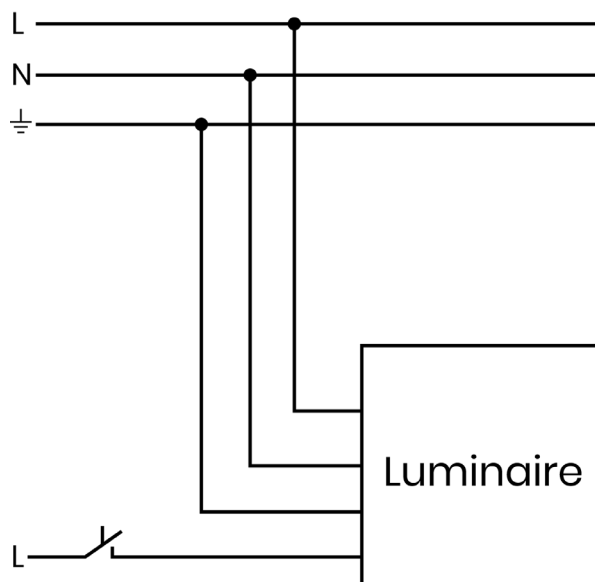
Ultra 1

E SwitchDIM Wiring.

- Live
- Earth
- Neutral
- Variable Live



Example switchDIM circuit
220-240 V
0/50/60 Hz



NOTES

NOTES

NOTES

Ultra 1

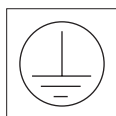
Safety

- This luminaire should be installed by a qualified electrician in compliance with IEE regulations.
- Please ensure mains supply to luminaire is disconnected before installation or maintenance.
 - The light source contained in this luminaire shall only be replaced by the manufacturer or his service agent or a similar qualified person.

Ratings

- This luminaire is designed to operate at 230VAC
-6% +10% 216v to 252v.
DO NOT OPERATE OUTSIDE THIS RANGE.
- This luminaire is only suitable for installation within its rated ingress Protection limits.

Subject to change without notice. Errors and omission excepted.
Always make sure to use the most recent release.



CROWN HOUSE, PLANTATION RD,
BURSCOUGH, LANCASHIRE. L40 8JT
01704 891 333
www.pandaprojects.co.uk