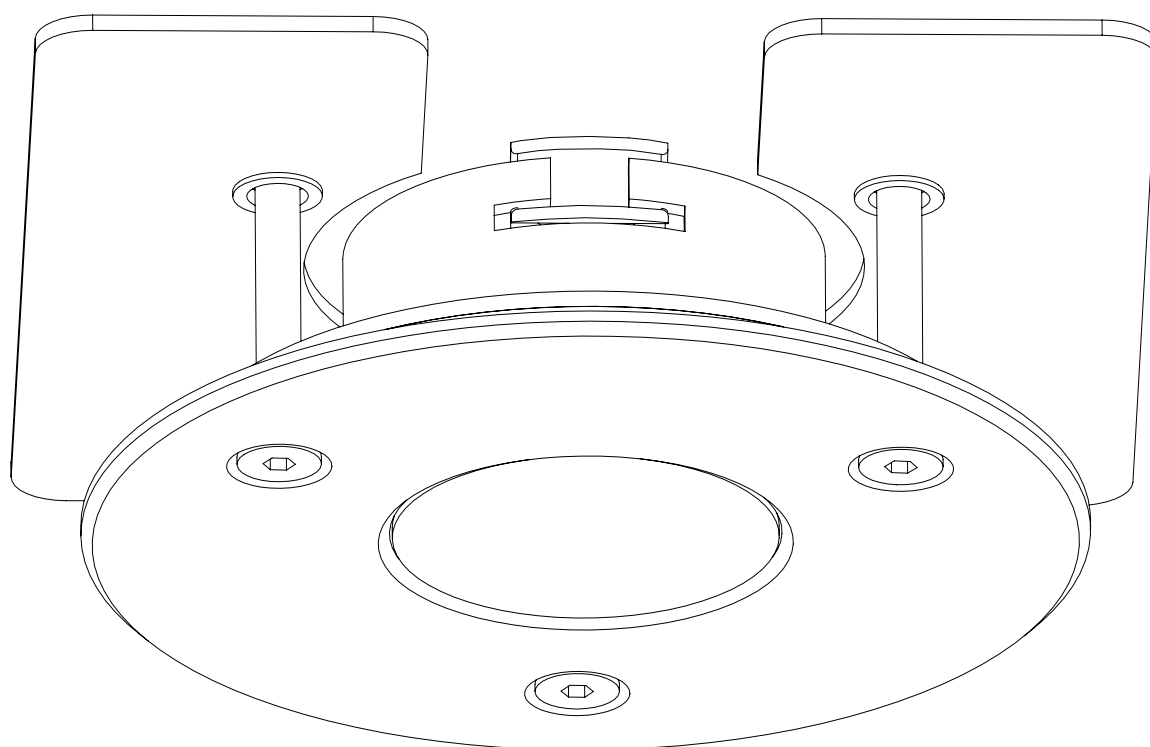


Emerald AL

Anti Ligature Emergency light.

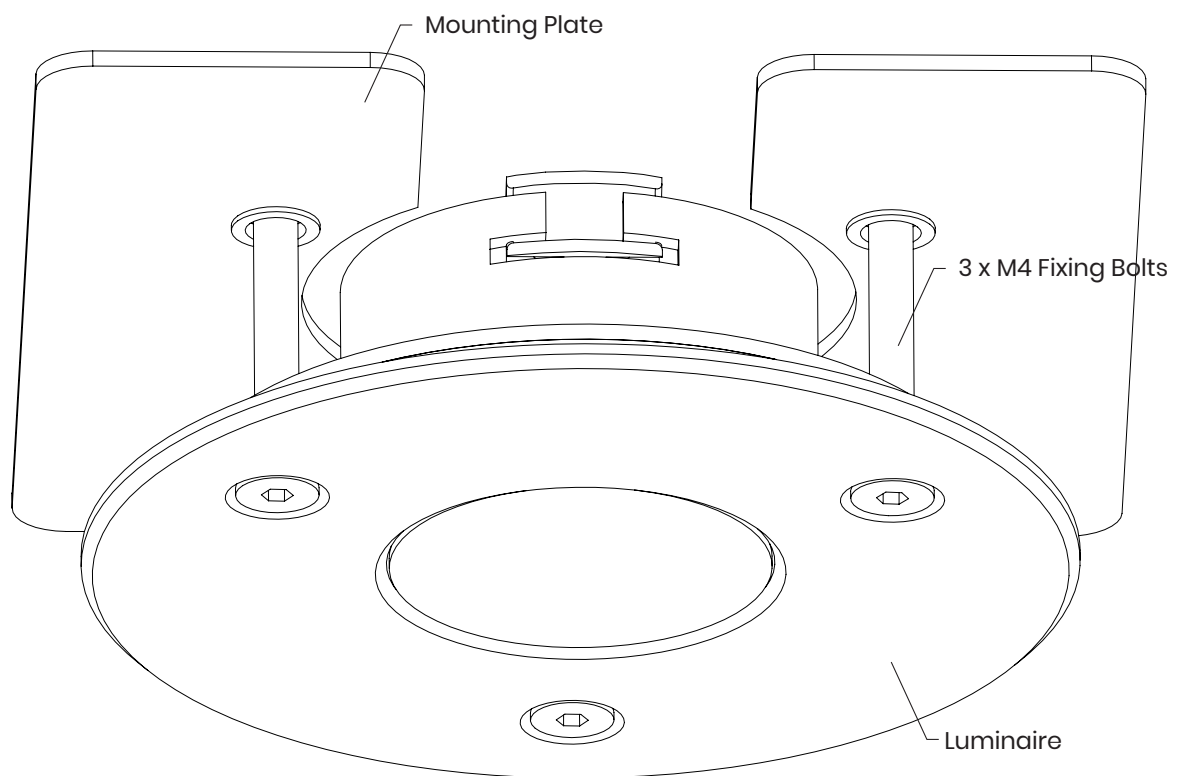


P&A

Emerald AL

As Standard

- Luminaire.
- 1 x Mounting Plate.
- 1 x Remote Inverter + Emergency battery pack.
- 3 x M4 Fixing bolts.

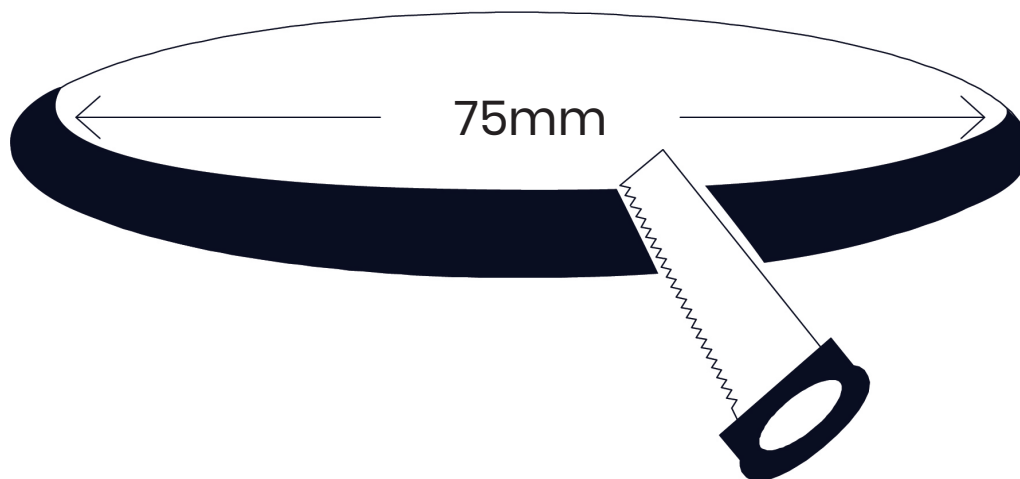


Nominal Dimensions (mm)

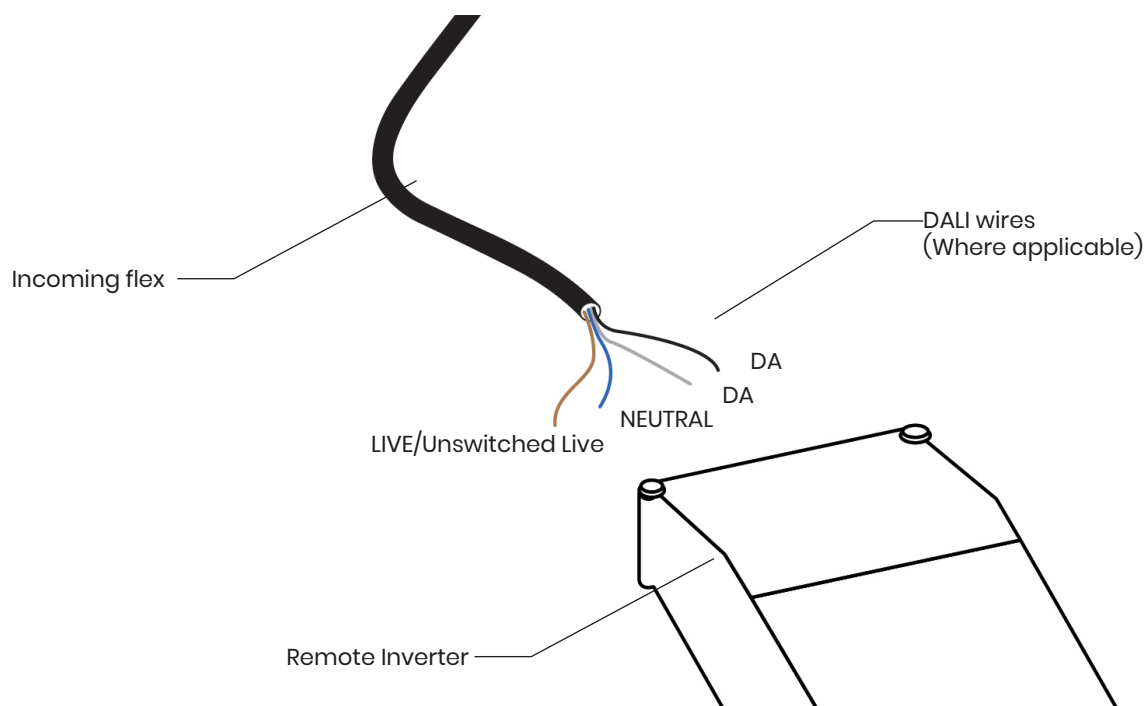
Products				
	<i>D</i> Ø	<i>L</i>	<i>W</i>	<i>H</i>
Emerald AL	90	N/A	N/A	57
Mounting Plate	N/A	100	100	8.5

Emerald AL

- 1 Please cut-out 75mm diameter hole in desired surface.

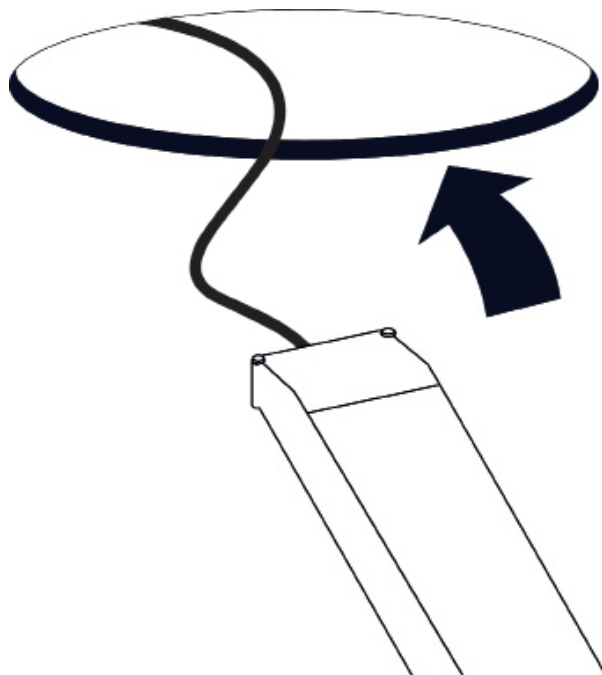


- 2 Feed Incoming supply (provided by others) through ceiling cut-out and connect into inverter (See page for all wiring diagrams).

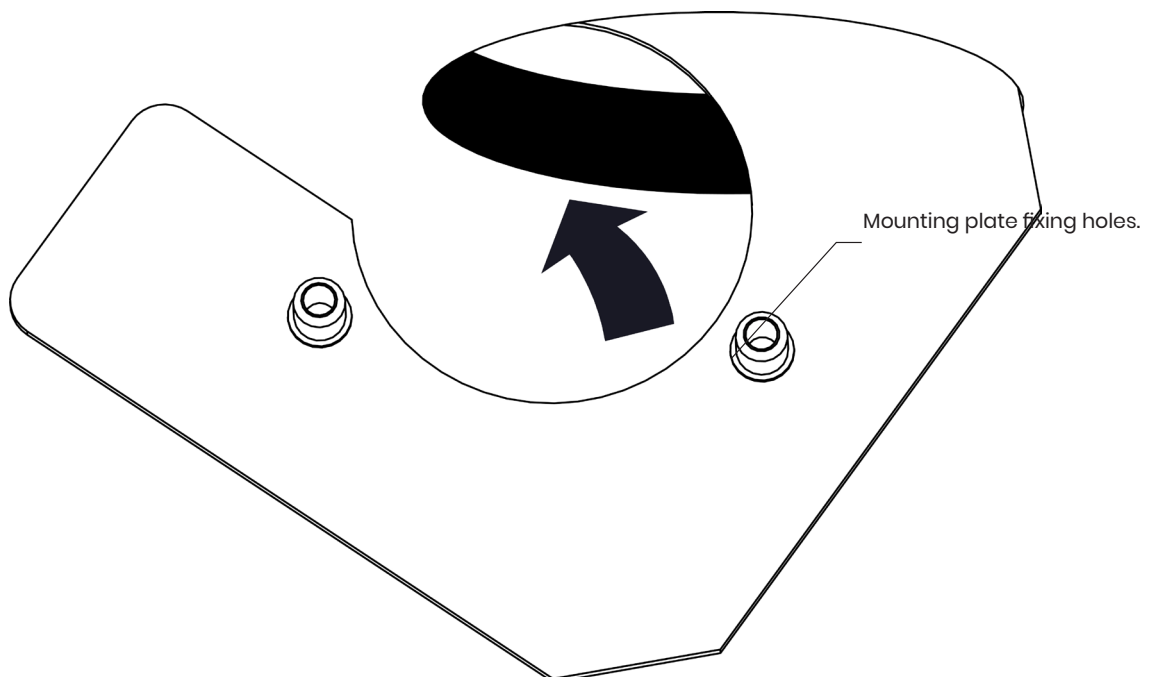


Emerald AL

- 3** Feed remote inverter and emergency battery pack through ceiling cut out.

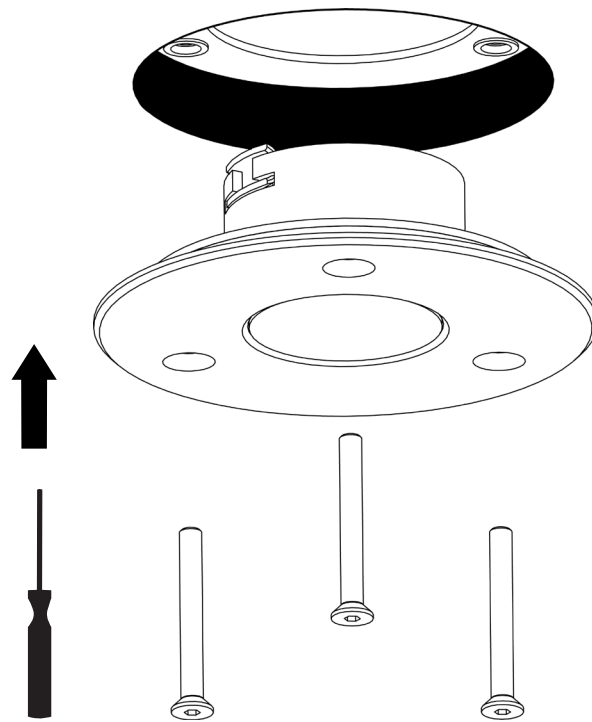


- 4** Insert & rotate mounting plate through cut-out, please ensure mounting plate fixing holes are visible.

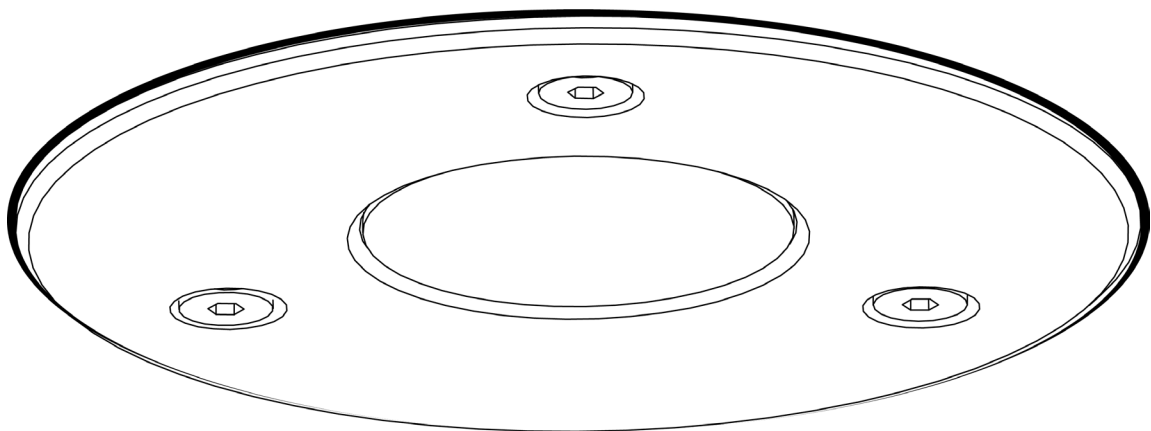


Emerald AL

- 5** Offer up luminaire and position 3 screw holes with mounting plate screws holes and fix bezel to plate.



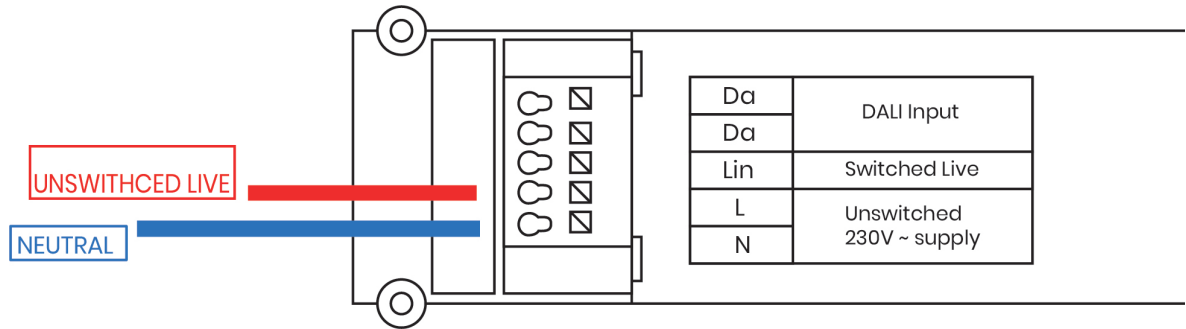
- 6** Complete installation (Front view).



Emerald AL

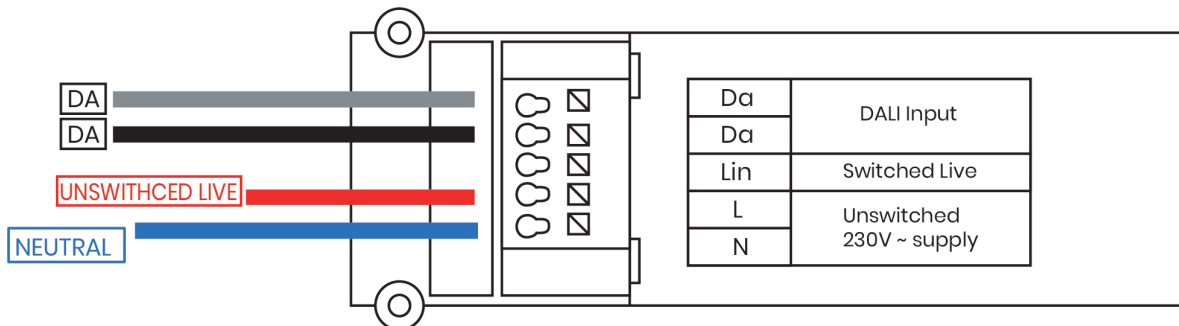
A Non Maintained Emergency Wiring.

- Unswitched Live
- Neutral



B Non DALI Emergency Wiring.

- Unswitched Live
- Neutral
- DALI
- DALI



Emerald AL

C

D

Emerald AL

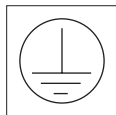
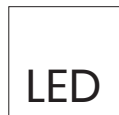
Safety

- This luminaire should be installed by a qualified electrician in compliance with IEE regulations.
- Please ensure mains supply to luminaire is disconnected before installation or maintenance.
 - The light source contained in this luminaire shall only be replaced by the manufacturer or his service agent or a similar qualified person.

Ratings

- This luminaire is designed to operate at 230VAC
-6% +10% 216v to 252v.
DO NOT OPERATE OUTSIDE THIS RANGE.
- This luminaire is only suitable for installation within its rated ingress Protection limits.

Subject to change without notice. Errors and omission excepted.
Always make sure to use the most recent release.



CROWN HOUSE, PLANTATION RD,
BURSCOUGH, LANCASHIRE. L40 8JT
01704 891 333
www.pandaprojects.co.uk