



# Space 3

## Suspended

Space 3 is a slim profile edge-lit suspended luminaire with a streamlined modern appearance, creates a perfect finish to modern offices. Available in various optics and outputs, to suit your needs. Supplied as Direct or Direct/ Indirect.

- Efficacy of up to 113 lm/W
- LG7 Compliant, UGR<19 when used with microprism diffuser.
- Colour temperatures: 3000°k or 4000°k.
- Colour Finishes: White (9016) as standard. Other RAL colours, available on request.
- Can be continuously mounted with infill sections
- Dimming options: DALI 1-100% Dim, DSI, Switch Dim, 1-10v.
- Wireless control options: Casambi.
- Options: PIR sensor.
- Emergency options: Standard 3hr, Self-Test or Dali addressable, 3hr Dali Wireless Sentinel.

### Technical

Product	Space 3
Mounting type	Suspended
Standard Lengths	1200mm 1500mm
Lumen	4443 - 9401 Lm
Efficacy	Upto 113 Lm/W
Colour Temperature	Warm White (3K) Neutral White (4K)
Optics	Opal diffuser Microprism (UGR<19)
Control	DALI 1-100%, DSI, 1-10V, Casambi, Fixed output
Emergency	3 hour, DALI, Self-Test, DALI Wireless Sentinel
Rendering	Ra80+
IP Rating	IP20
Safety Class	Class 1
MacAdam	SDCM 3
L70/B10	>50K

# P&A Space 3

## Luminaire Order Builder

### Space3-12 (1200mm Direct)

STEP 1. Select Current	STEP 2. Direction	STEP 3. Optics	STEP 4. CCT	STEP 5. Control	STEP 6. Finish	STEP 7. Options	STEP 8. Emergency
<b>30</b> 300mA 4443 Lm -44W  <b>35</b> 350mA 5184 Lm -52W  <b>40</b> 400mA 5925 Lm -59W  <b>45</b> 450mA 6665 Lm -66W	<b>D</b> Direct	<b>O</b> Opal Diffuser  <b>M</b> Microprism UGR<19	<b>3K</b> 3000K  <b>4K</b> 4000K	<b>FO</b> Fixed Output  <b>A1</b> DALI 1-100% Dim  <b>A2</b> DSI  <b>A3</b> Switch Dim  <b>A4</b> 1-10v  <b>A5</b> Casambi	<b>W</b> RAL9016M  <b>B</b> RAL9005  <b>S</b> RAL9006  <b>Z</b> Custom	<b>PIR</b> Passive Infrared sensor	<b>E3</b> Standard 3 Hour  <b>ED</b> DALI/EMPRO  <b>ES</b> Self-Test  <b>EW</b> 3 hour DALI Wireless Sentinel

All electrical and optical data subject to  $\pm 10\%$  tolerances.  
Values based on 4000K Colour temperature, microprism diffuser  
and DALI driver.

Example Code: S31250DM4KA1WEW

### Space3-12 (1200mm Direct/Indirect)

STEP 1. Select Current	STEP 2. Direction	STEP 3. Optics	STEP 4. CCT	STEP 5. Control	STEP 6. Finish	STEP 7. Options	STEP 8. Emergency
<b>30</b> 300mA 5014 Lm -44W  <b>35</b> 350mA 5850 Lm -52W  <b>40</b> 400mA 6685 Lm -59W  <b>45</b> 450mA 7521 Lm -66W	<b>DI</b> Direct/Indirect	<b>O</b> Opal Diffuser  <b>M</b> Microprism UGR<19	<b>3K</b> 3000K  <b>4K</b> 4000K	<b>FO</b> Fixed Output  <b>A1</b> DALI 1-100% Dim  <b>A2</b> DSI  <b>A3</b> Switch Dim  <b>A4</b> 1-10v  <b>A5</b> Casambi	<b>W</b> RAL9016M  <b>B</b> RAL9005  <b>S</b> RAL9006  <b>Z</b> Custom	<b>PIR</b> Passive Infrared sensor	<b>E3</b> Standard 3 Hour  <b>ED</b> DALI/EMPRO  <b>ES</b> Self-Test  <b>EW</b> 3 hour DALI Wireless Sentinel

All electrical and optical data subject to  $\pm 10\%$  tolerances.  
Values based on 4000K Colour temperature, microprism diffuser  
and DALI driver.

Example Code: S31230DIM4KA1WEW

# P&A Space 3

## Luminaire Order Builder

### Space3-15 (1500mm Direct)

STEP 1. Select Current	STEP 2. Direction	STEP 3. Optics	STEP 4. CCT	STEP 5. Control	STEP 6. Finish	STEP 7. Options	STEP 8. Emergency
<b>30</b> 300mA 5554 Lm -55W  <b>35</b> 350mA 6480 Lm -64W  <b>40</b> 400mA 7406 Lm -74W  <b>45</b> 450mA 8331 Lm -83W	<b>D</b> Direct	<b>O</b> Opal Diffuser  <b>M</b> Microprism UGR<19	<b>3K</b> 3000K  <b>4K</b> 4000K	<b>FO</b> Fixed Output  <b>A1</b> DALI 1-100% Dim  <b>A2</b> DSI  <b>A3</b> Switch Dim  <b>A4</b> 1-10v  <b>A5</b> Casambi	<b>W</b> RAL9016M  <b>B</b> RAL9005  <b>S</b> RAL9006  <b>Z</b> Custom	<b>PIR</b> Passive Infrared sensor	<b>E3</b> Standard 3 Hour  <b>ED</b> DALI/EMPRO  <b>ES</b> Self-Test  <b>EW</b> 3 hour DALI Wireless Sentinel

All electrical and optical data subject to  $\pm 10\%$  tolerances.  
Values based on 4000K Colour temperature, microprism diffuser  
and DALI driver.

Example Code: S31550DM4KA1WEW

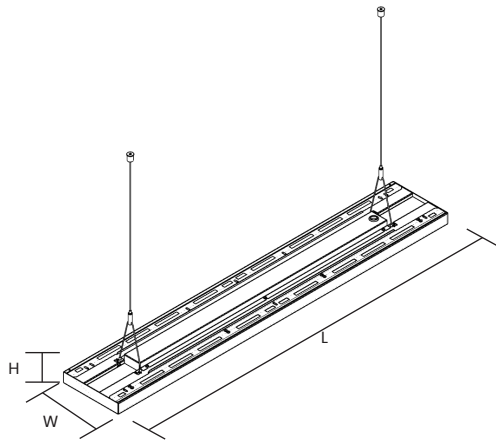
### Space3-12 (1500mm Direct/Indirect)

STEP 1. Select Current	STEP 2. Direction	STEP 3. Optics	STEP 4. CCT	STEP 5. Control	STEP 6. Finish	STEP 7. Options	STEP 8. Emergency
<b>30</b> 300mA 6267 Lm -55W  <b>35</b> 350mA 7312 Lm -64W  <b>40</b> 400mA 8357 Lm -74W  <b>45</b> 450mA 9401 Lm -83W	<b>DI</b> Direct/Indirect	<b>O</b> Opal Diffuser  <b>M</b> Microprism UGR<19	<b>3K</b> 3000K  <b>4K</b> 4000K	<b>FO</b> Fixed Output  <b>A1</b> DALI 1-100% Dim  <b>A2</b> DSI  <b>A3</b> Switch Dim  <b>A4</b> 1-10v  <b>A5</b> Casambi	<b>W</b> RAL9016M  <b>B</b> RAL9005  <b>S</b> RAL9006  <b>Z</b> Custom	<b>PIR</b> Passive Infrared sensor	<b>E3</b> Standard 3 Hour  <b>ED</b> DALI/EMPRO  <b>ES</b> Self-Test  <b>EW</b> 3 hour DALI Wireless Sentinel

All electrical and optical data subject to  $\pm 10\%$  tolerances.  
Values based on 4000K Colour temperature, microprism diffuser  
and DALI driver.

Example Code: S31530DIM4KA1WEW

# P&A Space 3



## Dimensions

L	W	H	Finish	Code	Colour Swatch
1280	250	65	White	9016	
1588	250	65	Black	9005	
			Silver	9006	
			Custom*	Custom*	

All dimensions are measured in millimetres (mm)

\*Custom Colours upon request

## Space 3 Ancillaries

### Wire Suspensions

Wire Suspensions	Code
3m Wire suspension kit	SP3-WS-3M
Custom length (1m increments)	SP3-WS-ZM

### Clear 0.75mm<sup>2</sup>, Supply Cable

3 core, Clear, 3m	FL-3C-C-3M
3 core, Clear, Custom Length*	FL-3C-C-ZM
5 core, Clear, 3m	FL-5C-C-3M
5 core, Clear, Custom Length*	FL-5C-C-ZM
6 core, Clear, 3m	FL-6C-C-3M
6 core, Clear, Custom Length*	FL-6C-C-ZM

### Black 0.75mm<sup>2</sup>, Supply Cable

3 core, Black, 3m	FL-3C-B-3M
3 core, Black, Custom Length*	FL-3C-B-ZM
5 core, Black, 3m	FL-5C-B-3M
5 core, Black, Custom Length*	FL-5C-B-ZM
6 core, Black, 3m	FL-6C-B-3M
6 core, Black, Custom Length*	FL-6C-B-ZM

### White 0.75mm<sup>2</sup>, Supply Cable

3 core, White, 3m	FL-3C-W-3M
3 core, White, Custom Length*	FL-3C-W-ZM
5 core, White, 3m	FL-5C-W-3M
5 core, White, Custom Length*	FL-5C-W-ZM
6 core, White, 3m	FL-6C-W-3M
6 core, White, Custom Length*	FL-6C-W-ZM



Warranty  
5 year Guarantee



Crown House, Plantation Rd, Burscough, Lancashire, L40 8JT  
01704 891333  
sales@pandaprojects.co.uk  
www.pandaprojects.co.uk

CE BS EN60598-1:2015  
ISO 9001 Certification

MADE IN BRITAIN

Datasheet Code: PA-10699-0