

# AL-RO2

## Surface

AL-RO2 is a slimline anti-ligature circular bulkhead luminaire with impact resistant polycarbonate diffuser, with tough aluminium housing and finished with tamper proof screws. Available in a 450mm diameter. Available in a range of outputs to suit your needs.

- Efficacy of up to 135 lm/W.
- Colour temperatures: 3000°k or 4000°k.
- Optics: Opal TP(a) Polycarbonate diffuser as standard.
- Colour Finishes: White (9016), Black (9005)
- Dimming options: DALI 1-100% Dim, DSI, Switch Dim, 1-10v.
- Wireless control options: Casambi.
- Emergency options: Standard 3hr, Self-Test, Dali addressable or 3Hr Dali Wireless Sentinel.

## Technical

Product	AL-RO2
Mounting type	Surface
Diameters	450mm
Lumens	1486 - 2472 lm
Efficacy	Upto 135 lm/W
Colour Temperature	Warm White (3K) Neutral White (4K)
Optics	Opal diffuser TP(a)
Control	DALI 1-100%, DSI, 1-10V, Casambi, Fixed output
Emergency	3 hour, DALI, Self-Test, 3 hour DALI Wireless Sentinel
Rendering	Ra80+
IP Rating	IP65
Safety Class	Class 1
MacAdam	SDCM 3
L70/B10	>50K

# P&A AL-R02

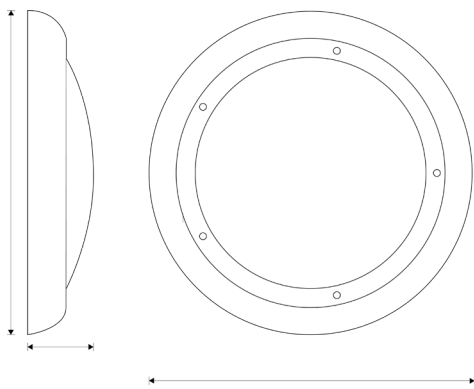
## Luminaire Order Builder

### AL-R02

STEP 1.	STEP 2.	STEP 3.	STEP 4.	STEP 5.	STEP 6.
Select Current	Optic	CCT	Control	Finish	Emergency
<b>35</b> 350mA 1486Lm- 11.2W	<b>O</b> Opal Diffuser TP(a)	<b>3K</b> 3000K	<b>FO</b> Fixed Output	<b>W</b> RAL9016M	<b>E3</b> Standard 3 Hour
<b>40</b> 400mA 1701Lm- 12.7W		<b>4K</b> 4000K	<b>A1</b> DALI 1-100% Dim	<b>B</b> RAL9005	<b>ED</b> DALI/EMPRO
<b>45</b> 450mA 1896Lm- 14.2W		<b>A2</b> DSI	<b>S</b> RAL 9006	<b>ES</b> Self-Test	
<b>50</b> 500mA 2064Lm- 15.5W		<b>A3</b> Switch Dim	<b>AC</b> Anodised Chrome	<b>EW</b> 3 hour DALI Wireless Sentinel	
<b>55</b> 550mA 2259Lm- 17W		<b>A4</b> 1-10v	<b>AB</b> Anodised Brass		
<b>60</b> 600mA 2472Lm- 18.7W		<b>A5</b> Casambi	<b>Z</b> Custom		

All electrical and optical data subject to  $\pm 10\%$  tolerances.  
 Values based on 4000K Colour temperature and fixed output driver

Example Code: ALR029004KFOWE3



#### Dimensions

DØ	H	Finish	Code	Colour Swatch
450	110	White	9016M	

All dimensions are measured in millimetres (mm)



Crown House, Plantation Rd, Burscough, Lancashire, L40 8JT  
 01704 891333  
 sales@pandaprojects.co.uk  
 www.pandaprojects.co.uk

Datasheet Code: PA-ALR02-0

