

TL-TRK70

Track

TL-TRK70 is a slimline LED tubular spotlight mounted on a low profile track. The low profile track adaptor allows for the gear to be hidden inside the track. Compatible with global trac PRO and Global trac PULSE. Available in diameter of 76mm and in a range of outputs and optics to suit your needs.

- Efficacy of up to 106 lm/W.
- Colour temperatures: 3000°k or 4000°k.
- Colour Finishes: Black (9005) as standard. Other RAL colours, available on request.
- Available in a choice of beam angles 10°, 14°, 35° and 50°.
- Optional DALI 1-100% dimming.
- Wireless control options: Casambi.
- Standalone Emergency options available.

Technical

Product	TL-TRK70
Mounting type	Track
Diameters	76mm
Lumen	1506-1937 Lm
Efficacy	Up to 106 lm/W
Colour Temperature	Warm White (3K) Neutral White (4K)
Optics	10° 14° 35° 55°
Control	DALI 1-100%, Fixed output, Casambi.
Emergency	Standalone EM upon request
Rendering	Ra80/90
IP Rating	IP20
Safety Class	Class 1
MacAdam	SDCM 3
L70/B10	>92K

P&A TL-TRK70

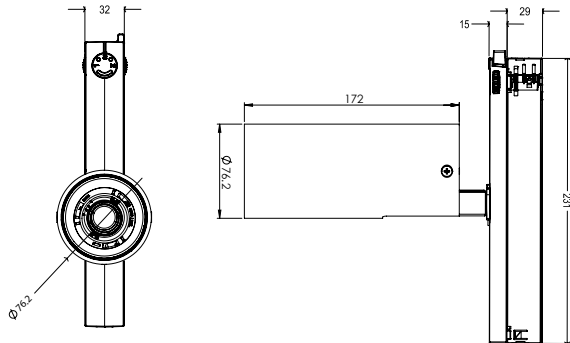
Luminaire Order Builder

TL-TRK70

STEP 1.	STEP 2.	STEP 3.	STEP 4.	STEP 5.	STEP 6.
Select Current	Optics	CCT	Control	Finish	Emergency
35 350mA 1506 Lm - 14.2W	10 10° degree beam	3K 3000K	FO Fixed Output	B RAL9005 + Black Reflector	EM Stand alone emergency track spot available upon request
40 400mA 1722 Lm - 16.2W	14 14° degree beam	4K 4000K	A1 DALI 1-100% Dim	Z Custom	
45 450mA 1937 Lm - 18.2W	35 35° degree beam		A5 Casambi		
	55 55° degree beam				

All electrical and optical data subject to ±10% tolerances.
 Values based on 4000K Colour temperature, 55° Beam and CRI80.
 CRI90 available on upon request.

Example Code: TLTRK7040144KFOB



Dimensions

DØ	L	Finish	Code	Colour Swatch
76.2	172	RAL		
		Black	9005	
		Custom*	Custom*	

All dimensions are measured in millimetres (mm)

*Custom Colours upon request



Crown House, Plantation Rd, Burscough, Lancashire, L40 8JT
 01704 891333
 sales@pandaprojects.co.uk
 www.pandaprojects.co.uk

Datasheet Code: PA-10791-10

