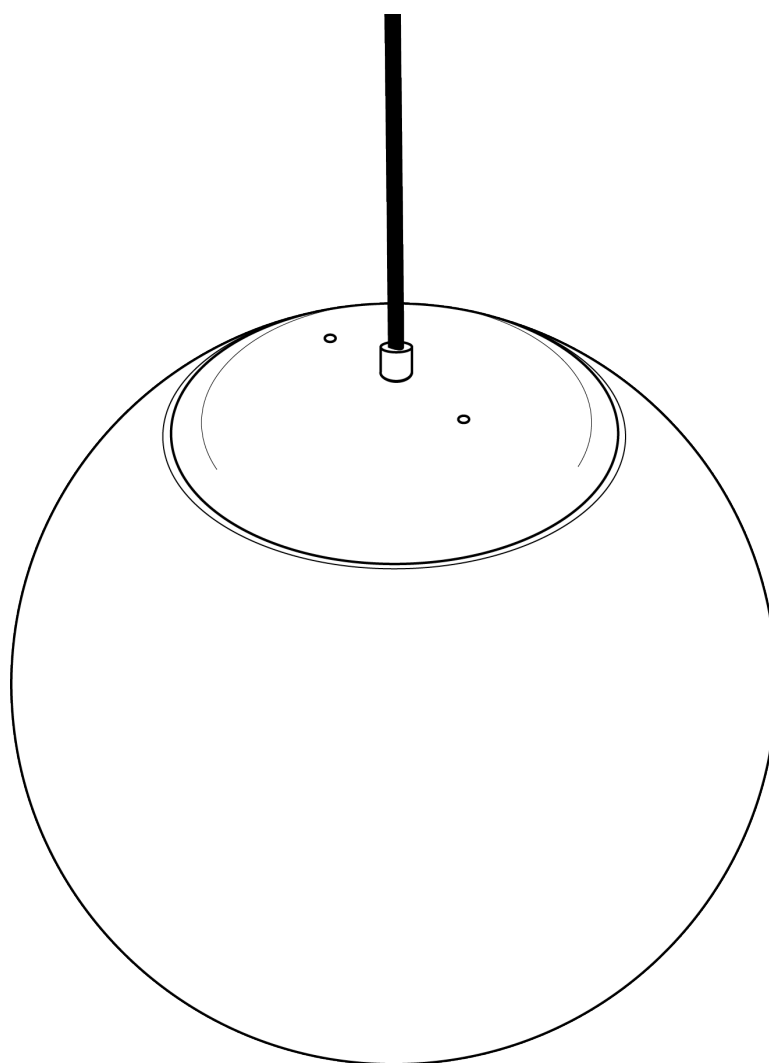


Globe

Decorative pendant Luminaire

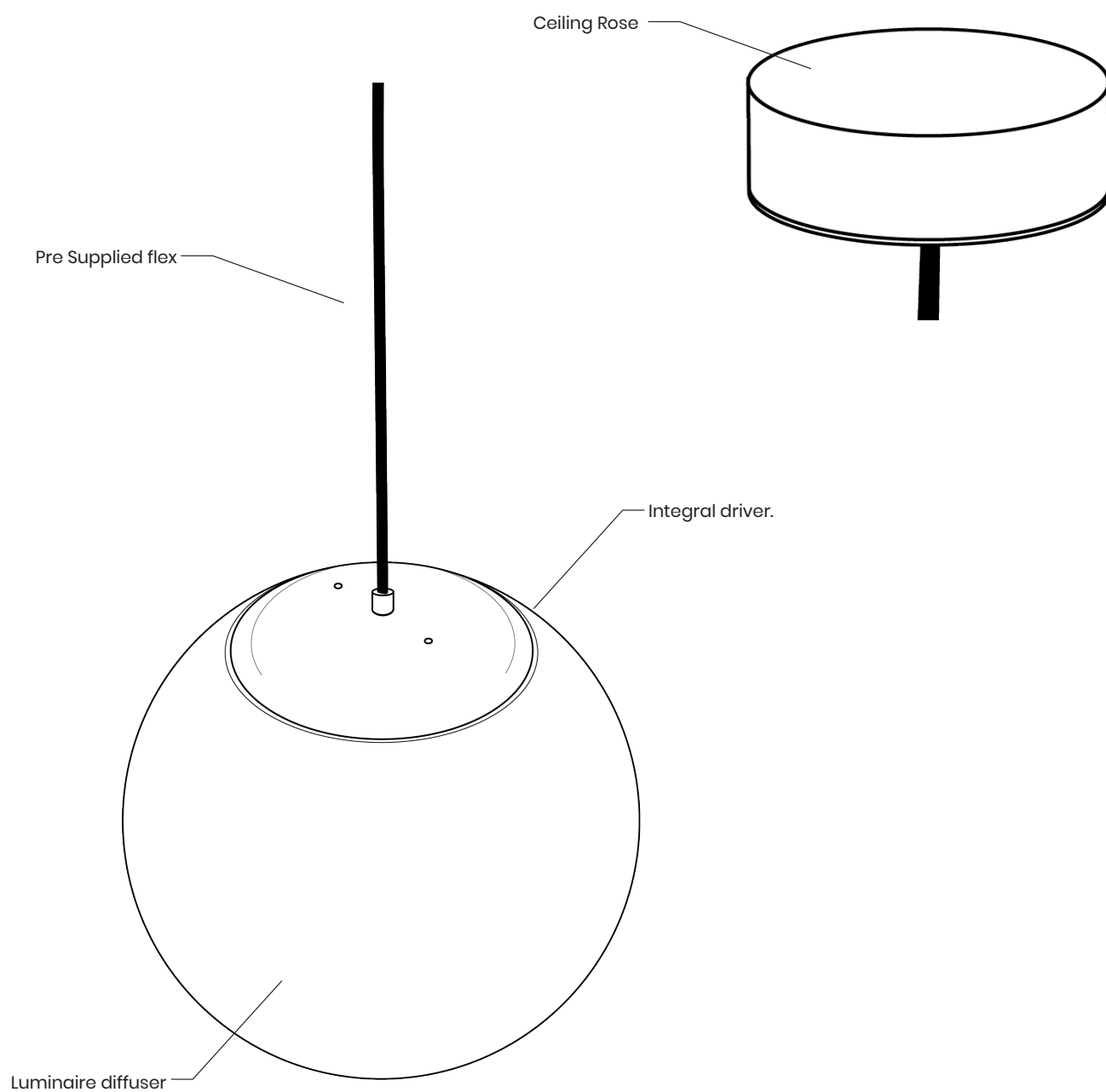


P&A

GLOBE

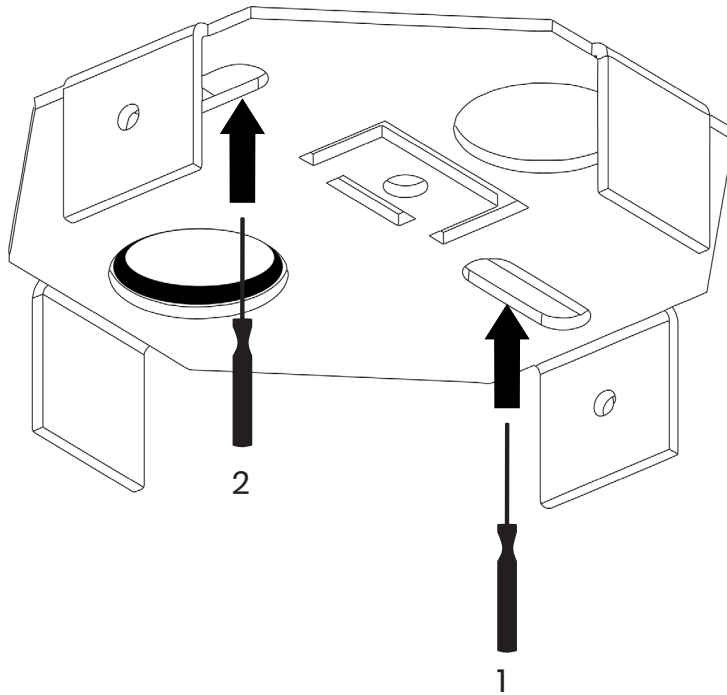
As Standard

- Integral driver.
- Ceiling Rose (CR75 as standard).
- Luminaire Supply (Lengths as per order).
- Please check thoroughly before installing and report any missing components.

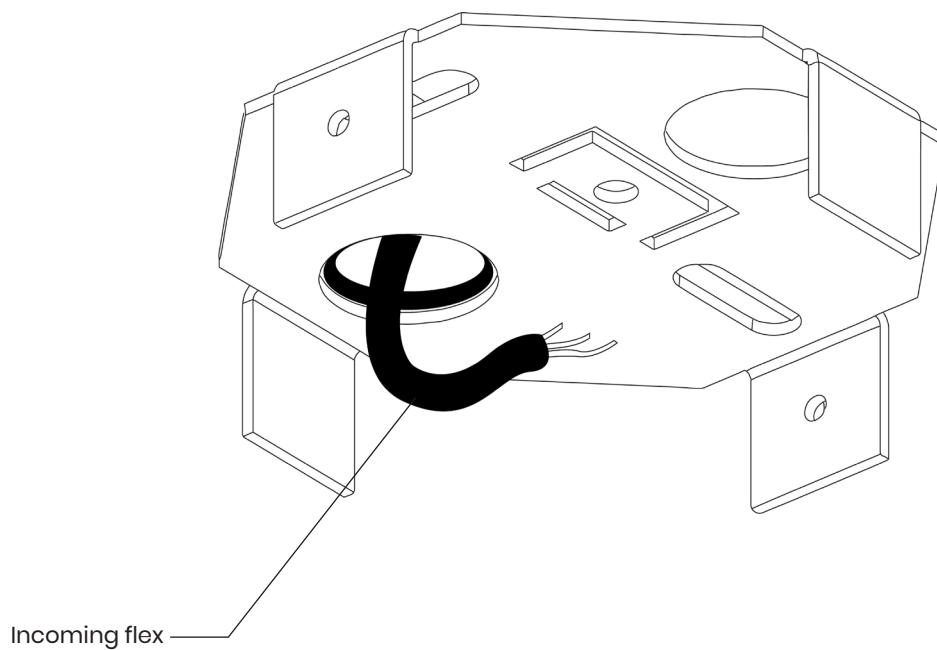


GLOBE

- 1** Install ceiling rose mounting bracket using appropriate (M5x2) fixings (supplied by others).

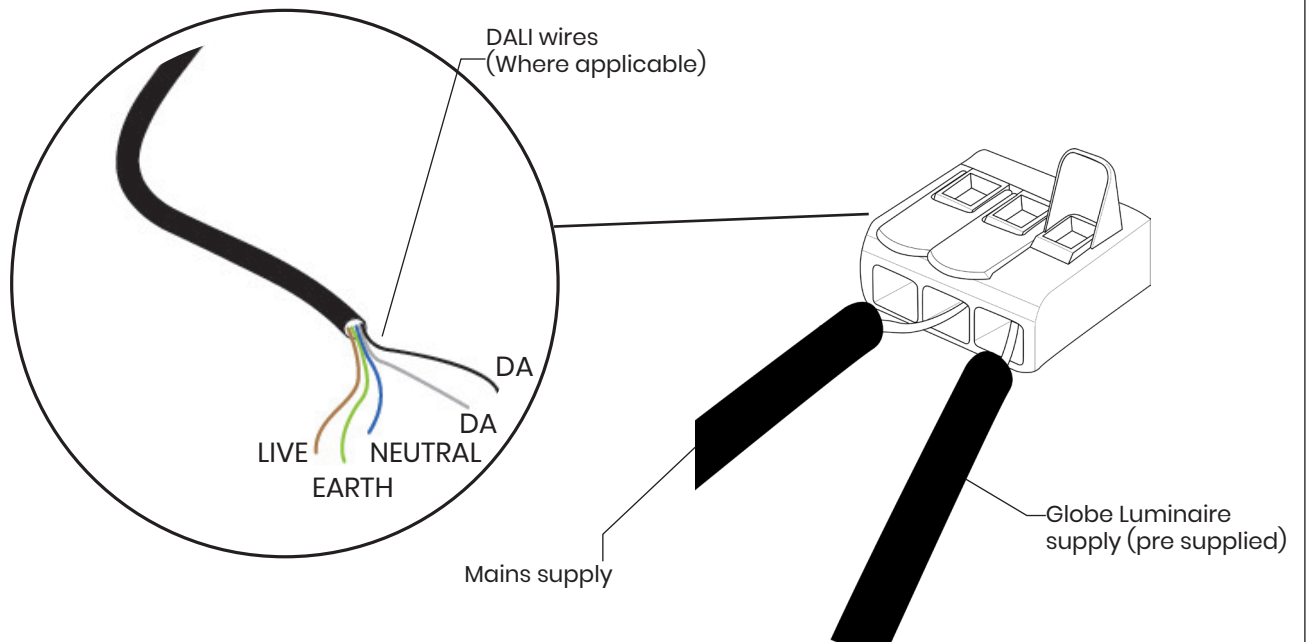


- 2** **A.** Feed Incoming supply cable (provided by others) through ceiling cut-out.

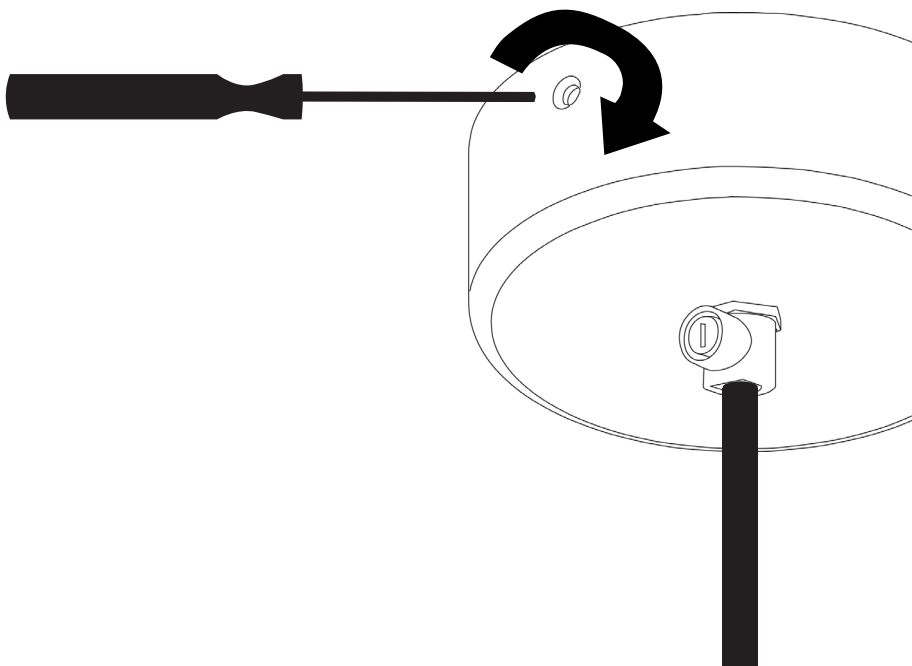


GLOBE

3 Connect luminaire supply to pre supplied connector blocks.

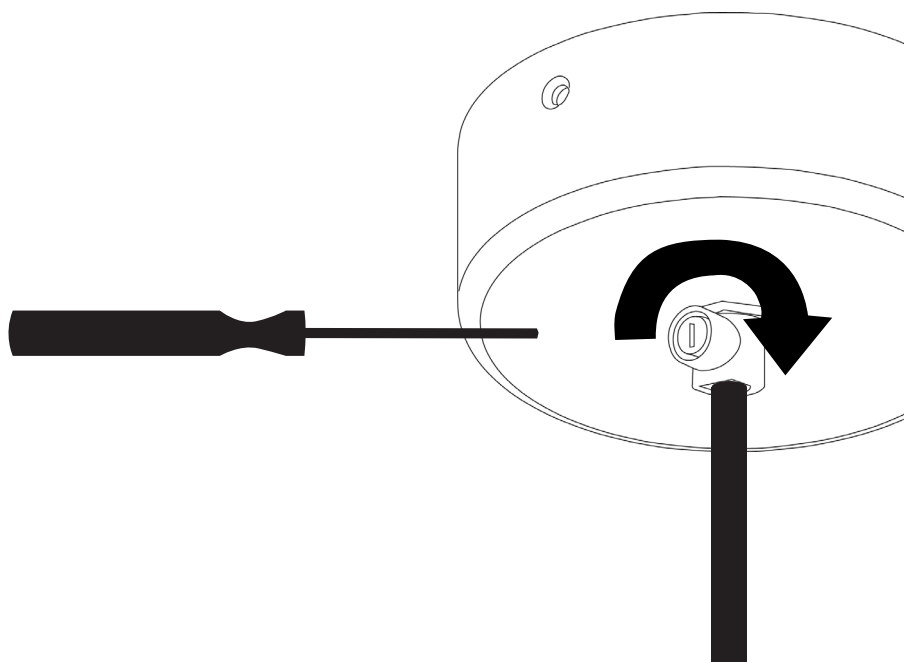


4 Secure the ceiling rose to the mounting bracket using M3x2 countersunk screws.

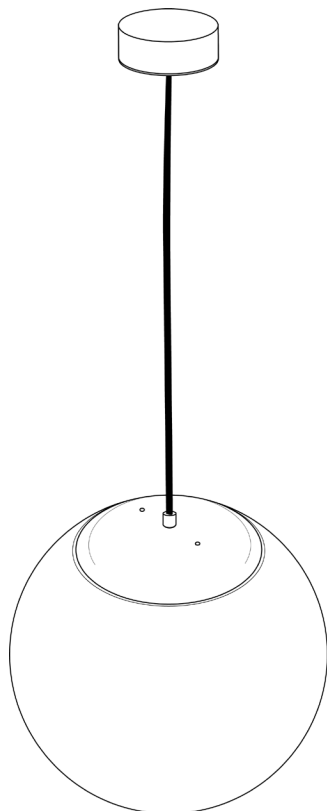


GLOBE

- 4** Secure the Incoming supply in place using cable gland restraint. Flat headed screwdriver required (Not supplied). Go to step 5 if luminaire is pre supplied with flex.



- 5** Complete installation (Rear view).



NOTES

NOTES

GLOBE

Safety

- This luminaire should be installed by a qualified electrician in compliance with IEE regulations.
- Please ensure mains supply to luminaire is disconnected before installation or maintenance.
 - The light source contained in this luminaire shall only be replaced by the manufacturer or his service agent or a similar qualified person.

Ratings

- This luminaire is designed to operate at 230VAC
-6% +10% 216v to 252v.
DO NOT OPERATE OUTSIDE THIS RANGE.
- This luminaire is only suitable for installation within its rated ingress Protection limits.

Subject to change without notice. Errors and omission excepted.
Always make sure to use the most recent release.



P&A

CROWN HOUSE, PLANTATION RD,
BURSCOUGH, LANCASHIRE. L40 8JT
01704 891 333
www.pandaprojects.co.uk