

DRM

Surface/Suspended

DRM is an architectural feature luminaire, supplied as either surface or wire suspended. Manufactured from spun aluminium, it is available in 500mm, 600mm, 700mm and 900mm diameters. Supplied as standard with direct/indirect distribution, in a range of outputs to suit your needs

- Efficacy of up to 140 lm/W.
- Colour temperatures: 3000°k and 4000°k.
- Colour Finishes: White (9016), Black (9005) or Silver (9006). Other RAL colours, available on request.
- Dimming options: DALI 1-100% Dim, DSI, Switch Dim, 1-10v.
- Wireless control options: Casambi.
- Suspended Luminaire supplied complete with individual wire suspensions, which are adjustable up to 3m length as standard*.
- Custom length wire suspension, Clear, Black or White flex are also available.
- 300mm Version Available upon request.
- Emergency options: Standard 3hr, Self-Test, Dali addressable or 3hr Dali Wireless Sentinel.

Technical

Product	DRM
Mounting type	Surface Suspended
Diameters	500-900mm
Lumens	3175 - 12449lm
Efficacy	Upto 140 lm/W
Colour Temperature	Warm White (3K) Neutral White (4K)
Optics	Opal diffuser
Control	DALI 1-100%, DSI, 1-10V, Casambi
Emergency	3 hour, DALI, Self-Test, DALI Wireless Sentinel
Rendering	Ra80+
IP Rating	IP20
Safety Class	Class 1
MacAdam	SDCM 3
L70/B10	>50K

* Central single point fixing via ceiling rose available as additional item – see ancillaries.

Surface mounted version shown above

Luminaire Order Builder

DRM5 (500mmØ)

STEP 1. Select Mounting	STEP 2. Current	STEP 3. Optics	STEP 4. CCT	STEP 5. Control	STEP 6. Finish	STEP 7. Emergency
SF Surface	60 600mA 3175 Lm 30.9W	O Opal Diffuser	3K 3000K	FO Fixed Output	W RAL9016M	E3 Standard 3 Hour
WS Wire Suspended	80 800mA 4139 Lm - 41.4W		4K 4000K	A1 DALI 1-100%	B RAL9005	ED DALI/EMPRO
				A2 DSI	S RAL9006	ES Self-Test
				A3 Switch Dim	Z Custom	EW 3 hour DALI Wireless Sentinel
				A4 1-10v		
				A5 Casambi		

All electrical and optical data subject to ±10% tolerances.
Values based on 4000K Colour temperature, Opal Diffuser and white housing

Example Code: DRM5WS8004KA1WE3

DRM6 (600mmØ)

STEP 1. Select Mounting	STEP 2. Current	STEP 3. Optics	STEP 4. CCT	STEP 5. Control	STEP 6. Finish	STEP 7. Emergency
SF Surface	80 800mA 4242 Lm 41.4W	O Opal Diffuser	3K 3000K	FO Fixed Output	W RAL9016M	E3 Standard 3 Hour
WS Wire Suspended	90 900mA 4599 Lm - 45.8W		4K 4000K	A1 DALI 1-100%	B RAL9005	ED DALI/EMPRO
				A2 DSI	S RAL9006	ES Self-Test
				A3 Switch Dim	Z Custom	EW 3 hour DALI Wireless Sentinel
				A4 1-10v		
				A5 Casambi		

All electrical and optical data subject to ±10% tolerances.
Values based on 4000K Colour temperature, Opal Diffuser and white housing

Example Code: DRM6WS2004KA1WE3

Luminaire Order Builder

DRM7 (700mmØ)

STEP 1. Select Mounting	STEP 2. Current	STEP 3. Optics	STEP 4. CCT	STEP 5. Control	STEP 6. Finish	STEP 7. Emergency
SF Surface	80 800mA 4345 Lm - 41.4W	O Opal Diffuser	3K 3000K	FO Fixed Output	W RAL9016M	E3 Standard 3 Hour
WS Wire Suspended	90 900mA 4711 Lm - 45.8W		4K 4000K	A1 DALI 1-100%	B RAL9005	ED DALI/EMPRO
				A2 DSI	S RAL9006	ES Self-Test
				A3 Switch Dim	Z Custom	EW 3 hour DALI Wireless Sentinel
				A4 1-10v		
				A5 Casambi		

All electrical and optical data subject to ±10% tolerances.
Values based on 4000K Colour temperature, Opal Diffuser and white housing.

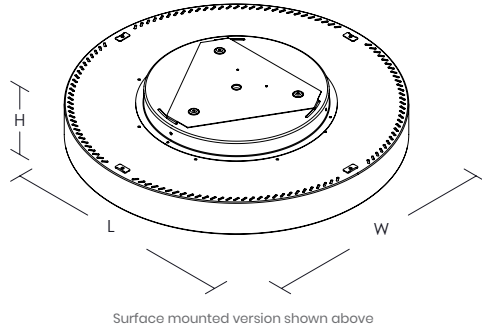
Example Code: DRM7WS5704KA1WE3

DRM9 (900mmØ)

STEP 1. Select Mounting	STEP 2. Current	STEP 3. Optics	STEP 4. CCT	STEP 5. Control	STEP 6. Finish	STEP 7. Emergency
SF Surface	50 500mA 9034 Lm - 65W	O Opal Diffuser	3K 3000K	FO Fixed Output	W RAL9016M	E3 Standard 3 Hour
WS Wire Suspended	70 700mA 12449 Lm - 91.7W		4K 4000K	A1 DALI 1-100%	B RAL9005	ED DALI/EMPRO
				A2 DSI	S RAL9006	ES Self-Test
				A3 Switch Dim	Z Custom	EW 3 hour DALI Wireless Sentinel
				A4 1-10v		
				A5 Casambi		

All electrical and optical data subject to ±10% tolerances.
Values based on 4000K Colour temperature, Opal Diffuser and white housing.

Example Code: DRM9WS7004KA1WE3



Dimensions

L	W	H*	Finish	Code	Colour Swatch
500	500	116	White	9016M	
600	600	118	Black	9005	
700	700	116	Silver	9006	
900	900	116	Custom*	Custom*	

Finish

RAL	Code	Colour Swatch
White	9016M	
Black	9005	
Silver	9006	
Custom*	Custom*	

All dimensions are measured in millimetres (mm)
*Including rear gear housing.

*Custom Colours upon request

Ancillaries

Wire Suspensions	Code
3m Wire suspension kit	DRM-WS-3M
Custom length (1m increments)	DRM-WS-ZM

Clear 0.75mm², Supply Cable

3 core, Clear, 3m	FL-3C-C-3M
3 core, Clear, Custom Length*	FL-3C-C-ZM
5 core, Clear, 3m	FL-5C-C-3M
5 core, Clear, Custom Length*	FL-5C-C-ZM
6 core, Clear, 3m	FL-6C-C-3M
6 core, Clear, Custom Length*	FL-6C-C-ZM

Black 0.75mm², Supply Cable

3 core, Black, 3m	FL-3C-B-3M
3 core, Black, Custom Length*	FL-3C-B-ZM
5 core, Black, 3m	FL-5C-B-3M
5 core, Black, Custom Length*	FL-5C-B-ZM
6 core, Black, 3m	FL-6C-B-3M
6 core, Black, Custom Length*	FL-6C-B-ZM

White 0.75mm², Supply Cable

3 core, White, 3m	FL-3C-W-3M
3 core, White, Custom Length*	FL-3C-W-ZM
5 core, White, 3m	FL-5C-W-3M
5 core, White, Custom Length*	FL-5C-W-ZM
6 core, White, 3m	FL-6C-W-3M
6 core, White, Custom Length*	FL-6C-W-ZM

Decorative Ceiling Rose, with 6 Way Wago terminal (c/w central hole for single wire suspension fixing).

Silver RAL9006	CR-120-T-S
Black RAL9005	CR-120-T-B
White RAL9016	CR-120-T-W
Custom RAL Colour**	CR-120-T-Z

*Please replace Z with required cut meter length.

**Please replace Z with required Custom RAL Colour.

Ancillaries images

3m Wire suspension kit Decorative Ceiling Rose, with 6 Way Wago terminal.



Distribution Type

Direct/Indirect

