

VRC

Surface

VRC is a robust cornice, anti-vandal, anti-ligature luminaire. Designed for secure healthcare, hospital and prison facilities. Heavy duty fabricated steel housing fitted with high impact polycarbonate diffuser, gasket sealed** front frame secured with anti tamper screws.

- Efficacy of up to 127 lm/W.
- Colour temperatures: 3000°k, 4000°k
- Colour Finishes: White (9016) as standard. Other RAL colours, available on request.
- Dimming options: DALI 1-100% Dim, DSI, Switch Dim, 1-10v.
- Emergency options: Standard 3hr, Self-Test or Dali addressable.
- Supplied with tamper proof screws.
- TX25 Torx screwdriver required for installation.*

Technical

Product	VRC
Mounting type	Surface
Standard Lengths	650mm
	1200mm
	1500mm
Lumens	1510 - 7906 Lm
Efficacy	Up to 127 lm/W
Colour Temperature	Warm White (3K)
	Neutral White (4K)
Optics	Opal diffuser
Control	DALI 1-100%, DSI, 1-10V, Fixed output
Emergency	3 hour, DALI, Self-Test
Rendering	Ra80+
IP Rating	IP44
	IP65
Safety Class	Class 1
MacAdam	SDCM 3
L70/B10	>50K

* Not supplied with the luminaire

** IP65 Version only

Luminaire Order Builder

VRC6 (650mm)

STEP 1. Select IP rating	STEP 2. Current	STEP 3. Optics	STEP 4. CCT	STEP 5. Control	STEP 6. Finish	STEP 7. Emergency
44 IP44 rated	35 350mA 1510 Lm - 12.9W	O Opal Diffuser	3K 3000K	FO Fixed Output	W RAL9016M	E3 Standard 3 Hour
65 IP65 rated	50 500mA 2147 Lm - 18.5W		4K 4000K	A1 DALI 1-100% Dim	Z Custom	ED DALI/EMPRO
	70 700mA 2897 Lm - 26.1W			A2 DSI		ES Self-Test
				A3 Switch Dim		
				A4 1-10v		

All electrical and optical data subject to $\pm 10\%$ tolerances.
Values based on 4000K Colour temperature.

Example Code: VRC64435O4KAIWE3

VRC12 (1200mm)

STEP 1. Select IP rating	STEP 2. Current	STEP 3. Optics	STEP 4. CCT	STEP 5. Control	STEP 6. Finish	STEP 7. Emergency
44 IP44 rated	35 350mA 3325 Lm - 26.9W	O Opal Diffuser	3K 3000K	FO Fixed Output	W RAL9016M	E3 Standard 3 Hour
65 IP65 rated	50 500mA 4770 Lm - 38.2W		4K 4000K	A1 DALI 1-100% Dim	Z Custom	ED DALI/EMPRO
	70 700mA 6325 Lm - 53.3W			A2 DSI		ES Self-Test
				A3 Switch Dim		
				A4 1-10v		

All electrical and optical data subject to $\pm 10\%$ tolerances.
Values based on 4000K Colour temperature.

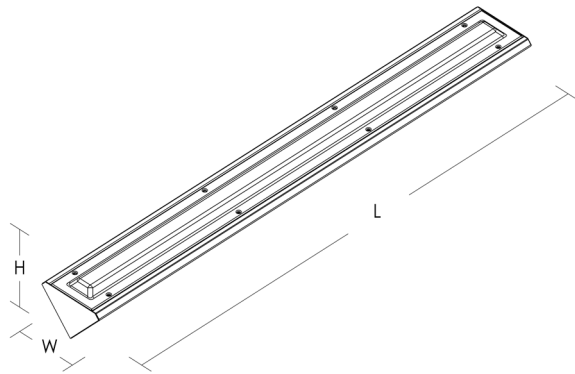
Example Code: VRC124435O4KAIWE3

Luminaire Order Builder VRC15 (1500mm)

STEP 1. Select IP rating	STEP 2. Current	STEP 3. Optics	STEP 4. CCT	STEP 5. Control	STEP 6. Finish	STEP 7. Emergency
44 IP44 rated	35 350mA 4156 Lm - 33.1W	O Opal Diffuser	3K 3000K	FO Fixed Output	W RAL9016M	E3 Standard 3 Hour
65 IP65 rated	50 500mA 5963 Lm - 46.7W		4K 4000K	A1 DALI 1-100% Dim	Z Custom	ED DALI/EMPRO
	70 700mA 7906 Lm - 65.3W			A2 DSI		ES Self-Test
				A3 Switch Dim		
				A4 1-10v		

All electrical and optical data subject to ±10% tolerances.
Values based on 4000K Colour temperature.

Example Code: VRC15443504KAIWE3



Dimensions

L	W	H	Finish	RAL	Code	Colour Swatch
650	113	113	White	White	9016M	
1200	113	113	Custom*	Custom*	Custom*	
1500	113	113				

All dimensions are measured in millimetres (mm)

*Custom Colours upon request

Installation tools required

Torx Screwdriver*



*Not supplied with the Luminaire



IP44
Protection against objects >1mm (small tools) and water spray from all directions.



IP65
Protection against dust (dust tight) and water jets from any angle (2.5mm nozzle)



Safety Class
Class 1 Safety chassis is connected to earth with a separate terminal, instead of via the mains cable.



Warranty
5 year Guarantee